

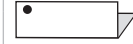
Color Side 1:
 Black

Color Side 2:
 Black

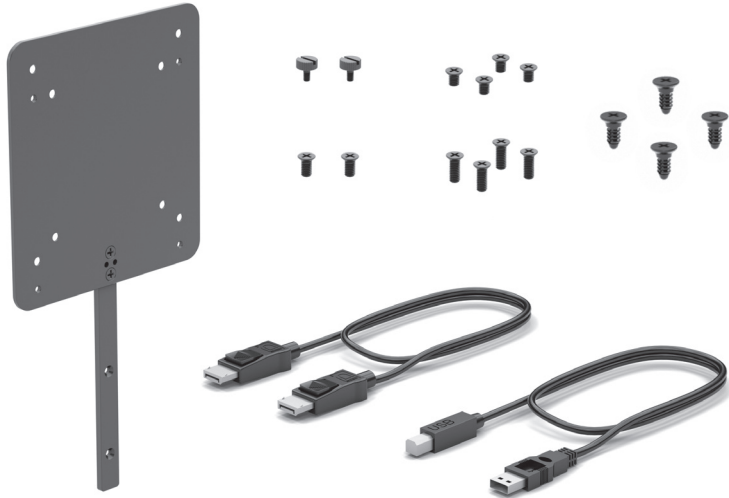
Flat:
 11 x 8.5 in

Folded size:
 5.5 x 4.25 in

Fold 1:
 in half



Fold 2:
 in half



© Copyright 2020 HP Development Company, L.P.

The information contained herein is subject to change without notice. The only warranties for HP products and services are set forth in the express warranty statements accompanying such products and services. Nothing herein should be construed as constituting an additional warranty. HP shall not be liable for technical or editorial errors or omissions contained herein.

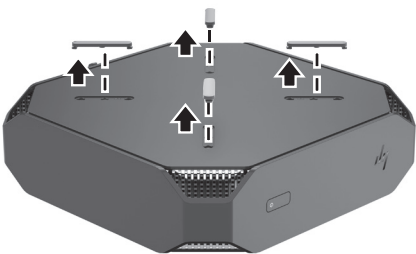
First Edition: June 2020

PRINTER: Replace this box with Printed- In (PI) Statement(s) as per spec.
 NOTE: This box is simply a placeholder. PI Statement(s) do not have to fit inside the box but should be placed in this area.

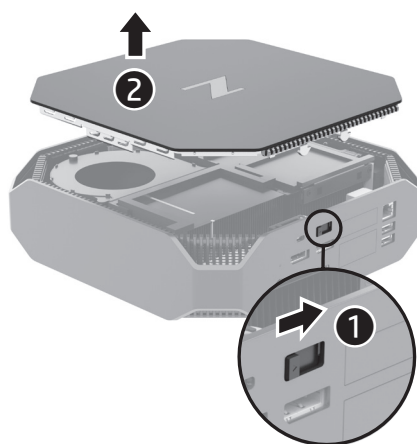


M11611-B21

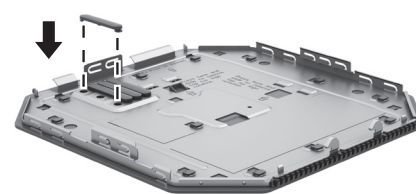
1



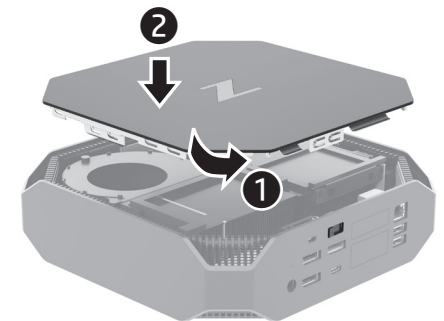
2



3



4



Color Side 1:
Black

Color Side 2:
Black

Flat:
11 x 8.5 in

Folded size:
5.5 x 4.25 in

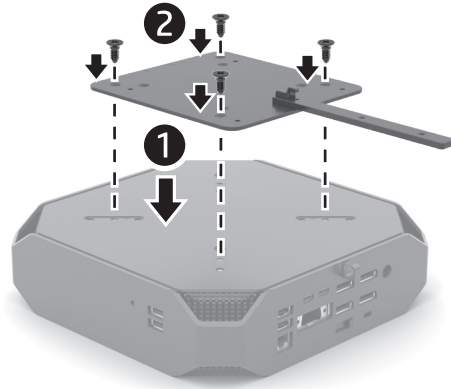
Fold 1:
in half



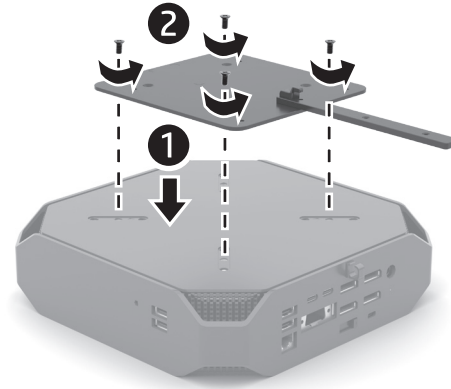
Fold 2:
in half



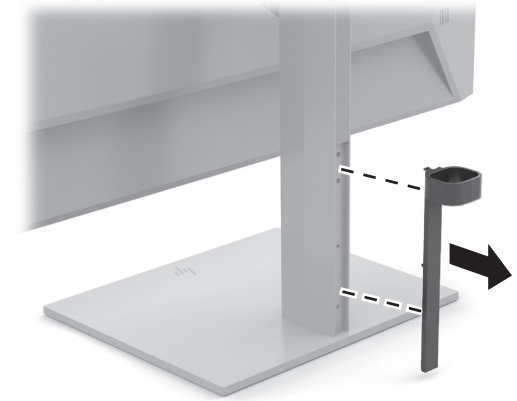
5



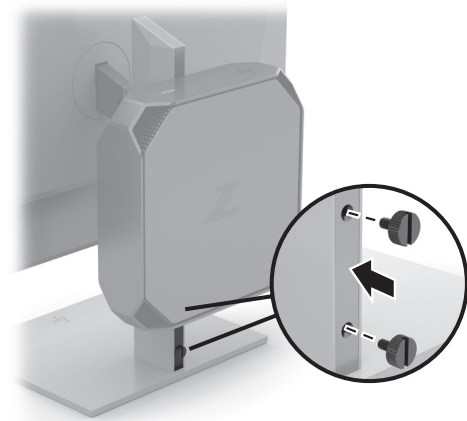
OR



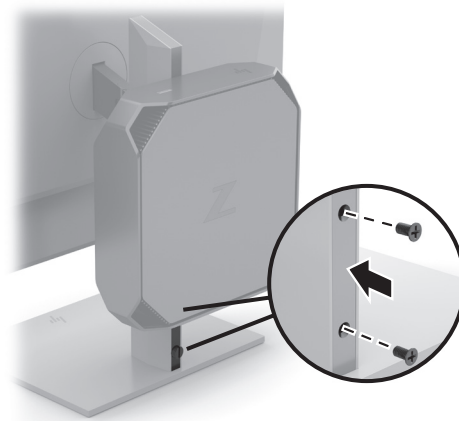
6



7



OR



8

