



Maintenance and Service Guide

SUMMARY

This guide provides maintenance information about such topics as spare parts, removal and replacement of parts, security, and backing up.

Legal information

© Copyright 2022 HP Development Company, L.P.

AMD and Ryzen are trademarks of Advanced Micro Devices, Inc. Bluetooth is a trademark owned by its proprietor and used by HP Inc. under license. Chrome is a trademark of Google LLC. The terms HDMI, HDMI High-Definition Multimedia Interface, and the HDMI Logo are trademarks or registered trademarks of HDMI Licensing Administrator, Inc. Intel, Thunderbolt, and XMM are trademarks of Intel Corporation or its subsidiaries in the U.S. and/or other countries. MediaTek is a trademark of MediaTek Inc. Microsoft and Windows are either registered trademarks or trademarks of Microsoft Corporation in the United States and/or other countries. NVMe is a registered trademark of NVM Express. PCIe is a US registered trademark and/or service mark of PCI-SIG. Realtek is a trademark of Realtek Semiconductor Corporation. USB Type-C and USB-C are registered trademarks of USB Implementers Forum. DisplayPort™ and the DisplayPort™ logo are trademarks owned by the Video Electronics Standards Association (VESA®) in the United States and other countries. Wi-Fi is a registered trademark of the Wi-Fi Alliance®.

The information contained herein is subject to change without notice. The only warranties for HP products and services are set forth in the express warranty statements accompanying such products and services. Nothing herein should be construed as constituting an additional warranty. HP shall not be liable for technical or editorial errors or omissions contained herein.

First Edition: April 2022

Document Part Number: N16909-001

Product notice

This guide describes features that are common to most models. Some features may not be available on your computer.

Not all features are available in all editions or versions of Windows. Systems may require upgraded and/or separately purchased hardware, drivers, software or BIOS update to take full advantage of Windows functionality. Windows is automatically updated, which is always enabled. High-speed internet and Microsoft account required. ISP fees may apply and additional requirements may apply over time for updates. See <http://www.microsoft.com>.

If your product ships with Windows in S

Mode: Windows in S Mode works exclusively with apps from the Microsoft Store within Windows. Certain default settings, features, and apps cannot be changed. Some accessories and apps that are compatible with Windows may not work (including some antivirus, PDF writers, driver utilities, and accessibility apps), and performance may vary, even if you switch out of S Mode. If you switch to Windows, you cannot switch back to S Mode. Learn more at Windows.com/SmodeFAQ.

To access the latest user guides, go to <http://www.hp.com/support>, and follow the instructions to find your product. Then select **Manuals**.

Software terms

By installing, copying, downloading, or otherwise using any software product preinstalled on this computer, you agree to be bound by the terms of the HP End User License Agreement (EULA). If you do not accept these license terms, your sole remedy is to return the entire unused product (hardware and software) within 14 days for a full refund subject to the refund policy of your seller.

For any further information or to request a full refund of the price of the computer, please contact your seller.

Safety warning notice

Reduce the possibility of heat-related injuries or of overheating the computer by following the practices described.

⚠ WARNING! To reduce the possibility of heat-related injuries or of overheating the computer, do not place the computer directly on your lap or obstruct the computer air vents. Use the computer only on a hard, flat surface. Do not allow another hard surface, such as an adjoining optional printer, or a soft surface, such as pillows or rugs or clothing, to block airflow. Also, do not allow the AC adapter to come into contact with the skin or a soft surface, such as pillows or rugs or clothing, during operation. The computer and the AC adapter comply with the user-accessible surface temperature limits defined by applicable safety standards.

Table of contents

1 Product description	1
2 Components	5
Locating hardware	5
Locating software	5
Right	5
Left	6
Display	7
Low blue light mode (select products only)	7
Keyboard area	9
Touchpad	9
Touchpad settings	9
Adjusting touchpad settings	9
Turning on the touchpad	9
Touchpad components	9
Lights	10
Button and fingerprint reader	11
Special keys	13
Bottom	14
Rear	15
Labels	15
3 Illustrated parts catalog	17
Computer major components	17
Display assembly subcomponents	22
Mass storage devices	24
Cables	25
Miscellaneous parts	26
4 Removal and replacement procedures preliminary requirements	30
Tools required	30
Service considerations	30
Plastic parts	30
Cables and connectors	30

Drive handling	30
Electrostatic discharge information	31
Generating static electricity	31
Preventing electrostatic damage to equipment	32
Personal grounding methods and equipment	32
Grounding the work area	33
Recommended materials and equipment	33
Cleaning your computer	34
Enabling HP Easy Clean (select products only)	34
Removing dirt and debris from your computer	34
Cleaning your computer with a disinfectant	35
Caring for wood veneer (select products only)	36
Packaging and transporting guidelines	36
Accessing support information	37
5 Removal and replacement procedures for authorized service provider parts	39
Component replacement procedures	39
Preparation for disassembly	39
Bottom cover	39
Battery	41
WWAN module	42
Solid-state drive	44
WLAN module	46
Speakers	47
Audio jack cable	48
Fan	49
Display assembly	50
RTC battery	61
NFC module cable	62
NFC module antenna	63
NFC module	64
Touchpad cable	65
Touchpad	66
Fingerprint reader	67
Fingerprint reader cable	68
Card reader cable	69
Card reader	70
System board	71
Heat sink	74
Top cover with keyboard	76
6 Computer Setup (BIOS), TPM, and HP Sure Start	77
Using Computer Setup	77
Navigating and selecting in Computer Setup	77
Restoring factory settings in Computer Setup	78
Updating the BIOS	78
Determining the BIOS version	78
Preparing for a BIOS update	78

Downloading a BIOS update.....	79
Installing a BIOS update.....	79
Changing the boot order using the f9 prompt	79
TPM BIOS settings (select products only)	80
Using HP Sure Start (select products only).....	80
7 Backing up, restoring, and recovering.....	81
Backing up information and creating recovery media.....	81
Using Windows tools for backing up.....	81
Using the HP Cloud Recovery Download Tool to create recovery media (select products only).....	81
Restoring and recovering your system.....	82
Creating a system restore	82
Restoring and recovery methods	82
Recovering using HP Recovery media.....	82
Changing the computer boot order	83
Using HP Sure Recover (select products only).....	83
8 Using HP PC Hardware Diagnostics	84
Using HP PC Hardware Diagnostics Windows (select products only).....	84
Using an HP PC Hardware Diagnostics Windows hardware failure ID code.....	84
Accessing HP PC Hardware Diagnostics Windows.....	84
Accessing HP PC Hardware Diagnostics Windows from HP Support Assistant.....	84
Accessing HP PC Hardware Diagnostics Windows from the Start menu (select products only).....	85
Downloading HP PC Hardware Diagnostics Windows.....	85
Downloading the latest HP PC Hardware Diagnostics Windows version from HP	85
Downloading the HP PC Hardware Diagnostics Windows from the Microsoft Store	85
Downloading HP Hardware Diagnostics Windows by product name or number (select products only)	86
Installing HP PC Hardware Diagnostics Windows.....	86
Using HP PC Hardware Diagnostics UEFI	86
Using an HP PC Hardware Diagnostics UEFI hardware failure ID code.....	86
Starting HP PC Hardware Diagnostics UEFI.....	86
Starting HP PC Hardware Diagnostics UEFI through HP Hotkey Support software (select products only).....	87
Downloading HP PC Hardware Diagnostics UEFI to a USB flash drive.....	87
Downloading the latest HP PC Hardware Diagnostics UEFI version	88
Downloading HP PC Hardware Diagnostics UEFI by product name or number (select products only)	88
Using Remote HP PC Hardware Diagnostics UEFI settings (select products only).....	88
Downloading Remote HP PC Hardware Diagnostics UEFI	88
Downloading the latest Remote HP PC Hardware Diagnostics UEFI version.....	88
Downloading Remote HP PC Hardware Diagnostics UEFI by product name or number	88
Customizing Remote HP PC Hardware Diagnostics UEFI settings.....	89
9 Specifications.....	90
Computer specifications	90
Display specifications.....	91

Solid-state drive specifications	91
10 Statement of memory volatility.....	93
Current BIOS steps	93
Nonvolatile memory usage	95
Questions and answers	96
Using HP Sure Start (select products only).....	97
11 Power cord set requirements.....	98
Requirements for all countries	98
Requirements for specific countries and regions.....	98
12 Recycling	101
Index.....	102

1 Product description

This table provides detailed product information.

Table 1-1 Product components and their descriptions

Category	Description
Product Name	HP EliteBook 845 13 inch G10 Notebook PC
Processors	AMD® Ryzen7® PRO 7840U processor (8 cores, 16 MB Cache, 15 W) AMD Ryzen7 7840U processor (8 cores, 16 MB Cache, 15 W) AMD Ryzen5 PRO 7540U processor (6 cores, 16 MB Cache, 15 W) AMD Ryzen5 7540U processor (6 cores, 16 MB Cache, 15 W)
Chipset	AMD integrated solder-on-circuit (SoC)
Display	33.8 cm (13.3 in), liquid crystal display (LCD), widescreen ultra extended graphics array (WUXGA; 1920 × 1200), antiglare, white light-emitting diode (WLED) + low blue light (LBL), ultrawide viewing angle (UWVA), sRGB 100, embedded DisplayPort™ 1.3 (eDP) + panel self-refresh (PSR), bent, nontouch on panel (nTOP) display panel with SureView Reflect, ambient light sensor (ALS) + ambient color sensor (ACS); typical brightness: 1000 nits 33.8 cm (13.3 in), LCD, WUXGA (1920 × 1200), antiglare, WLED + LBL, UWVA, sRGB 100, eDP 1.3 + PSR, bent, nTOP display panel with narrow bezel and G4 Plus privacy filter; typical brightness: 1000 nits 33.8 cm (13.3 in), LCD, WUXGA (1920 × 1200), antiglare, WLED + LBL, UWVA, sRGB 100, eDP + PSR, bent, nTOP display panel with SureView Reflect ALS+ACS; typical brightness: 1000 nits 33.8 cm (13.3 in), LCD, WUXGA (1920 × 1200), antiglare, WLED + LBL, UWVA, sRGB 100, eDP 1.4 + PSR2, bent, low power (LP), nTOP display panel with narrow bezel SureView Reflect ALS + ACS; typical brightness: 400 nits 33.8 cm (13.3 in), LCD, WUXGA (1920 × 1200), antiglare, WLED + LBL, UWVA, sRGB 100, eDP + PSR, bent, LP, nTOP display panel with ALS + ACS; typical brightness: 400 nits 33.8 cm (13.3 in), LCD, WUXGA (1920 × 1200), antiglare, WLED + LBL, UWVA, sRGB 100, eDP + PSR, bent, LP, nTOP display panel with ALS; typical brightness: 400 nits 33.8 cm (13.3 in), LCD, WUXGA (1920 × 1200), antiglare, light-emitting diode (LED), UWVA, NTSC 45% , eDP 1.2, bent, touch on panel (TOP) display panel with narrow bezel; typical brightness: 250 nits 33.8 cm (13.3 in), LCD, WUXGA (1920 × 1200), antiglare, LED, UWVA, NTSC 45% , eDP 1.2, bent, nTOP display panel with narrow bezel; typical brightness: 250 nits 33.8 cm (13.3 in), LCD, WUXGA (1920 × 1200), antiglare, LED, UWVA, NTSC 45% , eDP 1.2, bent, TOP display panel; typical brightness: 250 nits 33.8 cm (13.3 in), LCD, WUXGA (1920 × 1200), antiglare, LED, UWVA, NTSC 45% , eDP 1.2, bent, nTOP display panel; typical brightness: 250 nits

Table 1-1 Product components and their descriptions (continued)

Category	Description
Memory	<p>Two memory module slots (small outline dual in-line memory modules (SODIMMs) supporting up to 64 GB of RAM in the following configurations:</p> <ul style="list-style-type: none"> • 64 GB (32 × 2) • 48 GB (32 × 1 + 16 × 1) • 32 GB (32 × 1) or (16 × 2) • 24 GB (16 × 1 + 8 × 1) • 16 GB (16 × 1) or (8 × 2) • 8 GB (8 × 1) <p>Double data rate (DDR5)-5600</p>
Storage - eMMC	Support for embedded multimedia controller (eMMC), 32 GB, MO-276, MMC v5.0
Storage	<p>Support for the following solid-state drives:</p> <ul style="list-style-type: none"> • 2 TB, M.2 2280, Peripheral Component Interconnect Express (PCIe®)-4×4, Non-Volatile Memory Express (NVMe®) solid-state drive with three-layer cell (TLC) • 2 TB, M.2 2280, Peripheral Component Interconnect Express (PCIe)-4×4, ZTurbo solid-state drive with three-layer cell (TLC) • 1 TB, M.2 2280, PCIe-4×4, Non-Volatile Memory Express (NVMe) solid-state drive with TLC • 1 TB, M.2 2280, PCIe-4×4, self-encrypting (SED) solid-state drive with TLC • 512 GB, M.2 2280, PCIe-4×4, NVMe, value solid-state drive • 512 GB, M.2 2280, PCIe-4×4, NVMe solid-state drive with TLC • 512 GB, M.2 2280, PCIe-4×4, SED solid-state drive with TLC • 256 GB, M.2 2280, PCIe-4×4, NVMe, solid-state drive • 256 GB, M.2 2280, PCIe-4×4, NVMe, SED solid-state drive
Audio and video	<p>Audio brand: BANG and OLUFSEN</p> <p>Support for discrete amplifiers</p> <p>Support for dual speakers</p> <p>HP True Vision Camera: integrated, 5 MP, USB 2.0, wide field-of-view (WFOV), fixed, infrared (IR)</p> <p>Dual-array microphone</p>
NFC module	Near field communications (NFC) Mirage WNC XRAV-1
Wireless	<p>Wireless Local Area Network (WLAN)</p> <p>MediaTek™ RZ616 Wi-Fi® 6E + Bluetooth® 5.3 M.2 2230 AIM-T 160 MHz PCI-e + USB worldwide (WW) WLAN module</p> <p>Realtek™ 8852CE Wi-Fi 6E + Bluetooth 5.3 M.2 2230 PCI-e + USB WW WLAN</p> <p>Wireless Wide Area Network (WWAN)</p> <p>Intel® XMM™ 7560 R+ LTE-Advanced Pro (Cat 16) WWAN module</p> <p>Intel 5000 5G Solution WWAN module</p> <p>WWAN service providers: AT&T and Verizon</p>

Table 1-1 Product components and their descriptions (continued)

Category	Description	
Ports	Hot plug/unplug and autodetect for correct output to wide-aspect vs. standard-aspect video	
	<ul style="list-style-type: none"> • Audio-out (headphone)/Audio-in (microphone) combo jack • High-Definition Multimedia Interface® (HDMI®) port • Smart card reader (select products only) • USB SuperSpeed 5 Gbps port • USB SuperSpeed 5 Gbps port with HP Sleep and Charge • USB Type-C® power connector with HP Sleep and Charge and DisplayPort™ output (2) 	
	Keyboard/pointing devices	Keyboard: Backlit, island-style, spill-resistant, premium notebook PC keyboard with Clickpad
		Touchpad
		Clickpad with image sensor
		Multitouch gestures enabled
Precision touchpad support		
	Taps enabled as default	
Power requirements	Battery:	
	6 cell, 76 Whr, Long Life, polymer battery	
	3 cell, 51 Whr, Long Life, polymer Battery	
	HP Fast Charge Technology	
	AC adapter:	
	110 W, USB Type-C + USB Type-A slim AC adapter (straight barrel)	
	65 W, non-Power Factor Correction (nPFC), USB Type-C standard AC adapter (straight barrel, 1.8 m [6.0 ft])	
	65 W, nPFC, USB Type-C slim AC adapter (straight barrel, 1.8 m [6.0 ft])	
	Power cord:	
	HF, straight, C5, 1.0 m (3.3 ft), conventional with sticker	
C5, 1.0 m (3.3 ft), conventional with sticker		
C5, 1.0 m (3.3 ft), premium with sticker		
Security	Active SmartCard	
	Fingerprint reader	
	HP combination nano cable lock	
	HP essential combination nano cable lock	
	Privacy camera shutter door	
	Smartcard sensor	

Table 1-1 Product components and their descriptions (continued)

Category	Description
Sensors	Ambient light sensor
	Ambient color sensor
	Hall sensor
	Motion sensor
	Thermal sensor
Operating system	FreeDOS
	Windows® 11 Home
	Windows 11 Home Single Language
	Windows 11 Pro
	Windows 11 Pro (preinstalled with Windows 10 Pro Downgrade)
	Windows 11 Pro (Windows 11 Enterprise or Windows 10 Enterprise available with a Volume Licensing Agreement)
	Windows 11 Pro Education
Serviceability	End user replaceable part: AC adapter

2 Components

Your computer features top-rated components. This chapter provides details about your components, where they are located, and how they work.

Locating hardware

Use these instructions to find out what hardware is installed on your computer.

- Select the **Search** icon (select products only) in the taskbar, type `device manager` in the search box, and then select the **Device Manager** app.

A list displays all the devices installed on your computer.

For information about system hardware components and the system BIOS version number, press `fn+esc` (select products only).

Locating software

Use these instructions to find out what software is installed on your computer:

- Right-click the **Start** button, and then select **Apps and Features**.

Right

Use the illustration and table to identify the components on the right side of the computer.

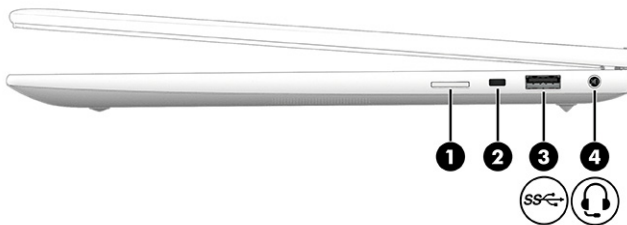




Table 2-1 Right-side components and their descriptions

Component	Description
(1)	SIM card slot (select products only)

Table 2-1 Right-side components and their descriptions (continued)

Component	Description
(2) Security cable slot	Attaches an optional security cable to the computer. NOTE: The security cable is designed to act as a deterrent, but it might not prevent the computer from being mishandled or stolen.
(3)  USB 5 Gbps port	Connects a USB device, provides high-speed data transfer, and (for select products) charges small devices (such as a smartphone) when the computer is on or in Sleep mode. NOTE: Use a standard USB Type-A charging cable or cable adapter (purchased separately) when charging a small external device.
(4)  Audio-out (headphone)/Audio-in (microphone) combo jack	Connects optional powered stereo speakers, headphones, earbuds, a headset, or a television audio cable. Also connects an optional headset microphone. This jack does not support optional standalone microphones. WARNING! To reduce the risk of personal injury, adjust the volume before putting on headphones, earbuds, or a headset. For additional safety information, see the <i>Regulatory, Safety, and Environmental Notices</i> . To access this guide: <ul style="list-style-type: none"> Select the Search icon (select products only) in the taskbar, type HP Documentation in the search box, and then select HP Documentation. NOTE: When a device is connected to the jack, the computer speakers are disabled.

Left

Use the illustration and table to identify the components on the left side of the computer.

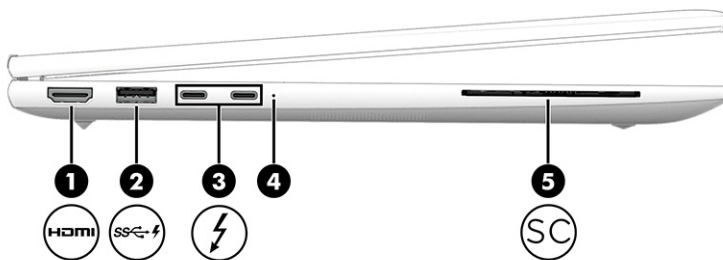


Table 2-2 Left-side components and their descriptions





Component	Description
(1)  HDMI port	Connects an optional video or audio device, such as a high-definition television, any compatible digital or audio component, or a high-speed HDMI device.

Table 2-2 Left-side components and their descriptions (continued)

Component	Description
(2)  USB 5 Gbps port with HP Sleep and Charge	<p>Connects a USB device, provides high-speed data transfer, and charges small devices (such as a smartphone), even when the computer is off.</p> <p>NOTE: Use a standard USB Type-A charging cable or cable adapter (purchased separately) when charging a small external device.</p>
(3)  USB Type-C power connector and Thunderbolt™ ports with HP Sleep and Charge and DisplayPort output (2)	<p>Connect AC adapters that have a USB Type-C connector, supplying power to the computer and, if needed, charging the computer battery.</p> <p>- and -</p> <p>Connect USB devices, provide high-speed data transfer, and charge small devices (such as a smartphone), even when the computer is off.</p> <p>NOTE: Use a standard USB Type-C charging cable or cable adapter (purchased separately) when charging a small external device.</p> <p>- and -</p> <p>Connect display devices that have a USB Type-C connector, providing DisplayPort output.</p> <p>NOTE: Your computer might also support a Thunderbolt docking station.</p>
(4) Battery light	<p>When AC power is connected:</p> <ul style="list-style-type: none"> • White: The battery charge is greater than 90 percent. • Amber: The battery charge is from 0 to 90 percent. • Off: The battery is not charging. <p>When AC power is disconnected (battery not charging):</p> <ul style="list-style-type: none"> • Blinking amber: The battery has reached a low battery level. When the battery has reached a critical battery level, the battery light begins blinking rapidly. • Off: The battery is not charging.
(5)  Smart card reader (select products only)	Supports optional smart cards.

Display

Use the illustration and table to identify the display components.

Low blue light mode (select products only)

Your computer display is shipped from the factory in low blue light mode for improved eye comfort and safety. Also, blue light mode automatically adjusts blue light emissions when you are using the computer at night or for reading.

⚠ WARNING! To reduce the risk of serious injury, read the *Safety & Comfort Guide*. It describes proper workstation setup and proper posture, health, and work habits for computer users. The *Safety & Comfort Guide* also provides important electrical and mechanical safety information. The *Safety & Comfort Guide* is available on the web at <http://www.hp.com/ergo>.

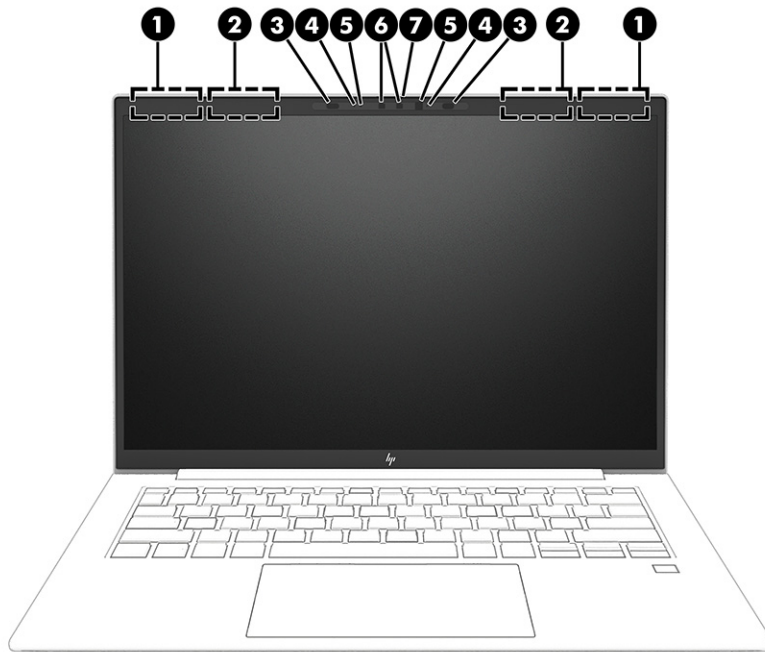


Table 2-3 Display components and their descriptions


Component	Description
(1) WWAN antennas* (select products only)	Send and receive wireless signals to communicate with WWANs.
(2) WLAN antennas*	Send and receive wireless signals to communicate with WLANs.
(3) Ambient light and color sensors (2)	Adjusts the brightness of the display, depending on the ambient light, and manages and controls the color temperature. Color temperature enables you to measure and adjust the warmth or coolness of the light source.
(4) Internal microphones (2)	Record sound.
(5) Camera lights (select products only)	On: One or more cameras are in use.
(6) Cameras (select products only)	Allow you to video chat, record video, and record still images. Some cameras also allow a facial recognition logon to Windows, instead of a password logon. NOTE: Camera functions vary depending on the camera hardware and software installed on your product.
(7) Camera privacy cover (select products only)	By default, the camera lens is uncovered, but you can slide the camera privacy cover to block the camera's view. To use the camera, slide the camera privacy cover in the opposite direction to reveal the lens. NOTE: If you have both front-facing and rear-facing cameras, when one camera lens is revealed and ready to use, the other is concealed.

Table 2-3 Display components and their descriptions (continued)

Component	Description
	<p>*The antennas are not visible from the outside of the computer. For optimal transmission, keep the areas immediately around the antennas free from obstructions.</p> <p>For wireless regulatory notices, see the section of the <i>Regulatory, Safety, and Environmental Notices</i> that applies to your country or region.</p> <p>To access this guide:</p> <ul style="list-style-type: none">■ Select the Search icon (select products only) in the taskbar, type <code>HP Documentation</code> in the search box, and then select HP Documentation.

Keyboard area

Keyboards can vary by language.

 **NOTE:** The keyboard, including the function keys and power button (select products only), is disabled in stand, tent, and tablet modes. To enable the keyboard, including the power button, change to the clamshell mode.

Touchpad

The touchpad settings and components are described here.

Touchpad settings

You learn how to adjust the touchpad settings and components here.

Adjusting touchpad settings

Use these steps to adjust touchpad settings and gestures.

1. Select the **Search** icon (select products only) in the taskbar, type `touchpad settings` in the search box, and then press `enter`.
2. Choose a setting.

Turning on the touchpad

Follow these steps to turn on the touchpad.

1. Select the **Search** icon (select products only) in the taskbar, type `touchpad settings` in the search box, and then press `enter`.
2. Using an external mouse, click the **Touchpad** button.

If you are not using an external mouse, press the `Tab` key repeatedly until the pointer rests on the **touchpad** button. Then press the `spacebar` to select the button.

Touchpad components

Use the illustration and table to identify the touchpad components.

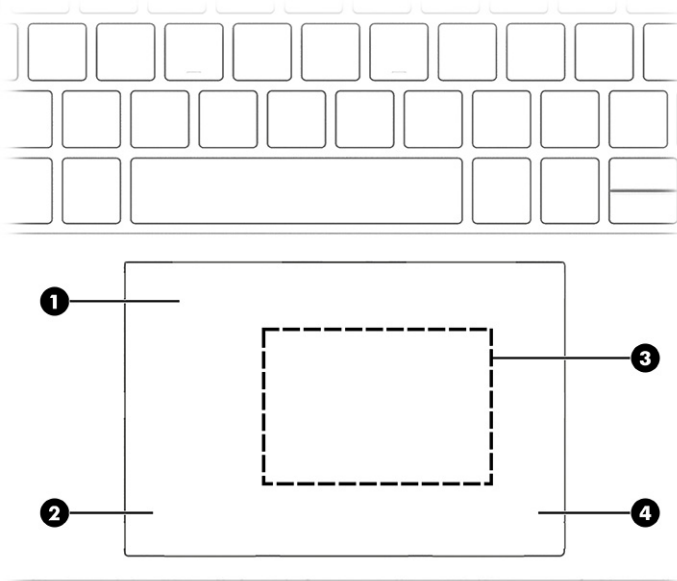


Table 2-4 Touchpad components and their descriptions

Component	Description
(1) Touchpad zone	Reads your finger gestures to move the pointer or activate items on the screen.
(2) Left touchpad button	Functions like the left button on an external mouse.
(3) Near Field Communications (NFC) tapping area and antenna (select products only)*	Allows you to wirelessly share information when you tap it with an NFC-enabled device.
(4) Right touchpad button	Functions like the right button on an external mouse.

*The antennas are not visible from the outside of the computer. For optimal transmission, keep the areas immediately around the antennas free from obstructions.

For wireless regulatory notices, see the section of the *Regulatory, Safety, and Environmental Notices* that applies to your country or region.

To access this guide:

- Select the **Search** icon (select products only) in the taskbar, type `HP Documentation` in the search box, and then select **HP Documentation**.

Lights

Use the illustration and table to identify the lights on the computer.



NOTE: Refer to the illustration that most closely matches your computer.

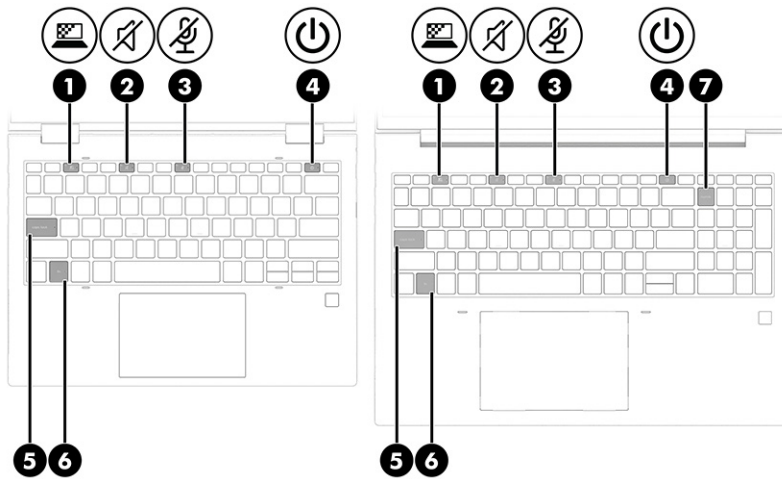








Table 2-5 Lights and their descriptions

Component	Description
(1)  Privacy key light (select products only)	On: Privacy screen is on, which helps prevent side-angle viewing.
(2)  Mute light	<ul style="list-style-type: none"> On: Computer sound is off. Off: Computer sound is on.
(3)  Microphone mute light	<ul style="list-style-type: none"> On: Microphone is off. Off: Microphone is on.
(4)  Power light	<ul style="list-style-type: none"> On: The computer is on. Blinking (select products only): The computer is in the Sleep state, a power-saving state. The computer shuts off power to the display and other unnecessary components. Off: Depending on your computer model, the computer is off, in Hibernation, or in Sleep. Hibernation is the power-saving state that uses the least amount of power.
(5) Caps lock light	On: Caps lock is on, which switches the key input to all capital letters.
(6) Fn lock light	On: The fn key is locked.
(7)  Num lk light	On: Num lk is on.

Button and fingerprint reader

Fingerprint readers can be located on the touchpad, on a side panel of the computer, or on the top cover below the keyboard.

 **IMPORTANT:** To verify that your computer supports fingerprint reader sign-in, select the **Search** icon (select products only) in the taskbar, type `Sign-in options` in the search box, and then follow the

on-screen instructions. If **Fingerprint reader** is not listed as an option, then your notebook does not include a fingerprint reader.

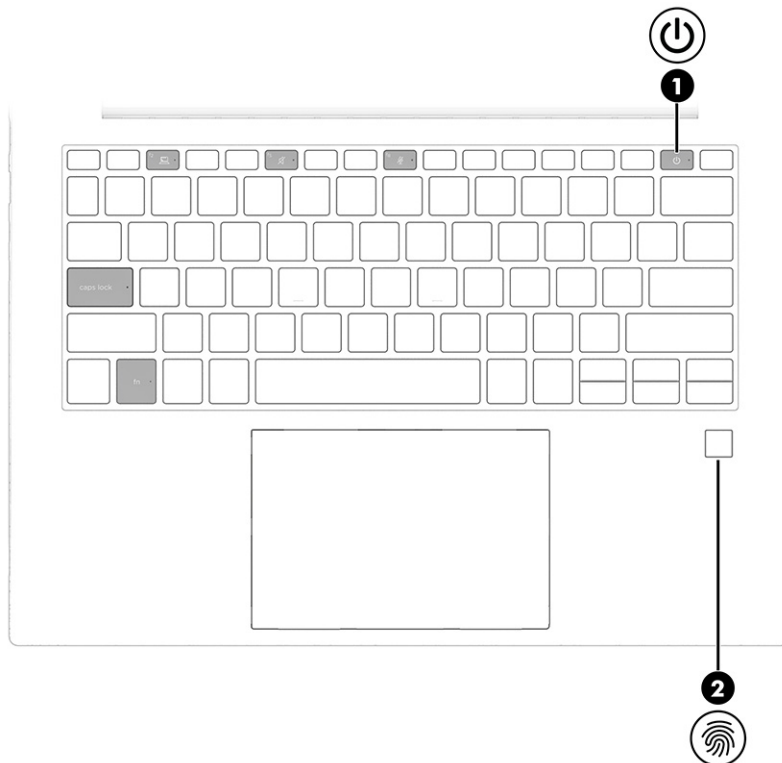


Table 2-6 Button and fingerprint reader and their descriptions




Component	Description
<p>(1)  Power button</p>	<ul style="list-style-type: none"> • When the computer is off, press the button briefly to turn on the computer. • When the computer is on, press the button briefly to initiate Sleep. • When the computer is in the Sleep state, press the button briefly to exit Sleep (select products only). • When the computer is in Hibernation, press the button briefly to exit Hibernation. <p>IMPORTANT: Pressing and holding down the power button results in the loss of unsaved information.</p> <p>If the computer has stopped responding and shutdown procedures are ineffective, press and hold the power button for at least 4 seconds to turn off the computer.</p> <p>To learn more about your power settings, use the Power icon.</p> <ul style="list-style-type: none"> • Right-click the Power icon  and then, depending on your product, select Power and sleep settings or Power Options.

Table 2-6 Button and fingerprint reader and their descriptions (continued)

Component	Description
(2)  Fingerprint reader (select products only)	<p>Allows a fingerprint logon to Windows, instead of a password logon.</p> <ul style="list-style-type: none"> Touch your finger to the fingerprint reader. <p>IMPORTANT: To prevent fingerprint logon issues, make sure when you register your fingerprint that all sides of your finger are registered by the fingerprint reader.</p>

Special keys

Use the illustration and table to identify the special keys.

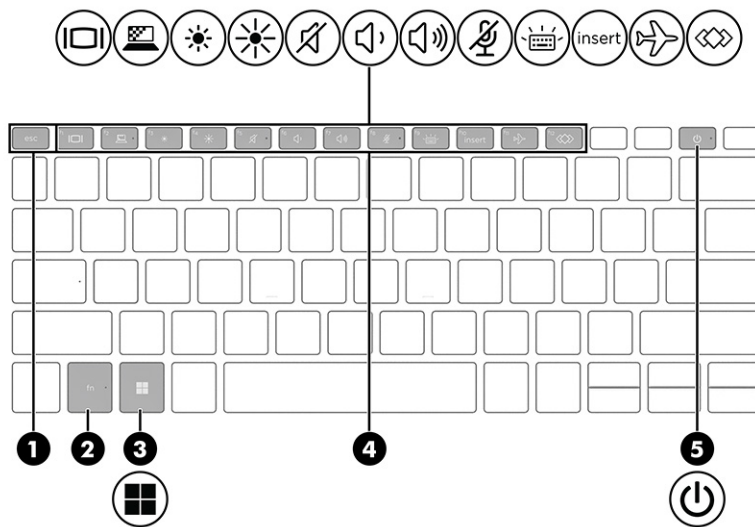




Table 2-7 Special keys and their descriptions

Component	Description
(1) <code>esc</code> key	Displays system information when pressed in combination with the <code>fn</code> key.
(2) <code>fn</code> key	Executes frequently used system functions when pressed in combination with another key. Such key combinations are called <i>hot keys</i> .
(3) Windows key	<p>Opens the Start menu.</p> <p>NOTE: Pressing the Windows key again will close the Start menu.</p>
(4) Action keys	Execute frequently used system functions.

Table 2-7 Special keys and their descriptions (continued)

Component	Description
(5)  Power button	<ul style="list-style-type: none"> • When the computer is off, press the button briefly to turn on the computer. • When the computer is on, press the button briefly to initiate Sleep. • When the computer is in the Sleep state, press the button briefly to exit Sleep (select products only). • When the computer is in Hibernation, press the button briefly to exit Hibernation. <p>IMPORTANT: Pressing and holding down the power button results in the loss of unsaved information.</p> <p>If the computer has stopped responding and shutdown procedures are ineffective, press and hold the power button for at least 4 seconds to turn off the computer.</p> <p>To learn more about your power settings, use the Power icon.</p> <ul style="list-style-type: none"> • Right-click the Power icon  and then, depending on your product, select Power and sleep settings or Power Options.

Bottom

Use the illustration and table to identify the bottom components.

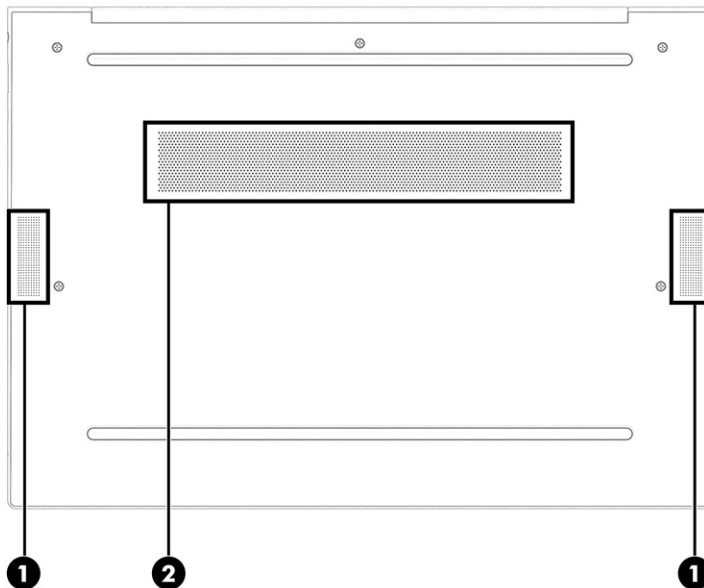


Table 2-8 Bottom components and their descriptions

Component	Description
(1) Speakers (2)	Produce sound.

Table 2-8 Bottom components and their descriptions (continued)

Component	Description
(2) Vent	Enables airflow to cool internal components. NOTE: The computer fan starts up automatically to cool internal components and prevent overheating. It is normal for the internal fan to cycle on and off during routine operation.

Rear

Use the illustration and table to identify the rear component.




Table 2-9 Rear component and its description

Component	Description
Vent (select products only)	Enables airflow to cool internal components. NOTE: The computer fan starts up automatically to cool internal components and prevent overheating. It is normal for the internal fan to cycle on and off during routine operation.

Labels

The labels affixed to the computer provide information that you might need when you troubleshoot system problems or travel internationally with the computer. Labels can be in paper form or imprinted on the product.

 **IMPORTANT:** Check the following locations for the labels described in this section: the bottom of the computer, inside the battery bay, under the service door, on the back of the display, or on the bottom of a tablet kickstand.

- Service label—Provides important information to identify your computer. When contacting support, you may be asked for the serial number, the product number, or the model number. Locate this information before you contact support.

Your service label will resemble one of the following examples. Refer to the illustration that most closely matches the service label on your computer.

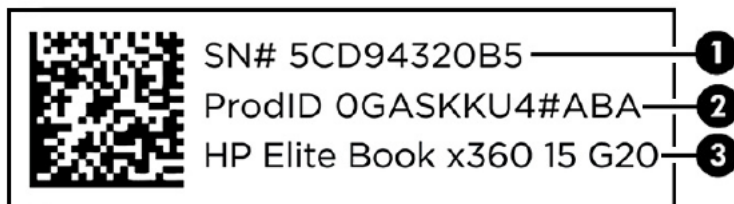


Table 2-10 Service label components and their descriptions

Component	
(1)	Serial number
(2)	Product ID
(3)	HP product name

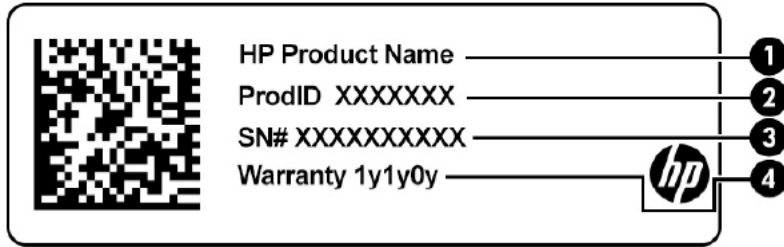


Table 2-11 Service label components and their descriptions

Component	
(1)	HP product name
(2)	Product ID
(3)	Serial number
(4)	Warranty period

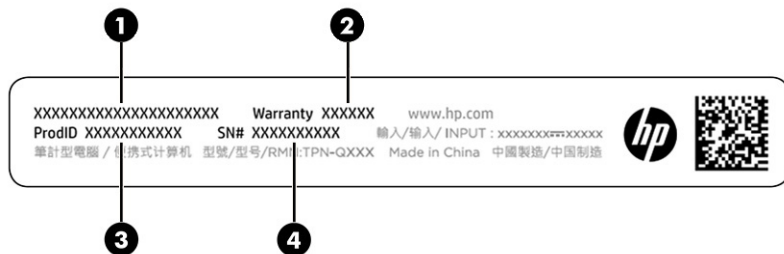


Table 2-12 Service label components and their descriptions

Component	
(1)	HP product name
(2)	Warranty period
(3)	Product ID
(4)	Serial number


- Regulatory labels—Provide regulatory information about the computer.
- Wireless certification labels—Provide information about optional wireless devices and the approval markings for the countries or regions in which the devices have been approved for use.


3 Illustrated parts catalog

Use this table to determine the spare parts that are available for the computer.

Computer major components

To identify the computer major components, use this illustration and table.

 **NOTE:** HP continually improves and changes product parts. For complete and current information about supported parts for your computer, go to <http://partsurfer.hp.com>, select your country or region, and then follow the on-screen instructions.

 **NOTE:** Details about your computer, including model, serial number, product key, and length of warranty, are on the service tag at the bottom of your computer.

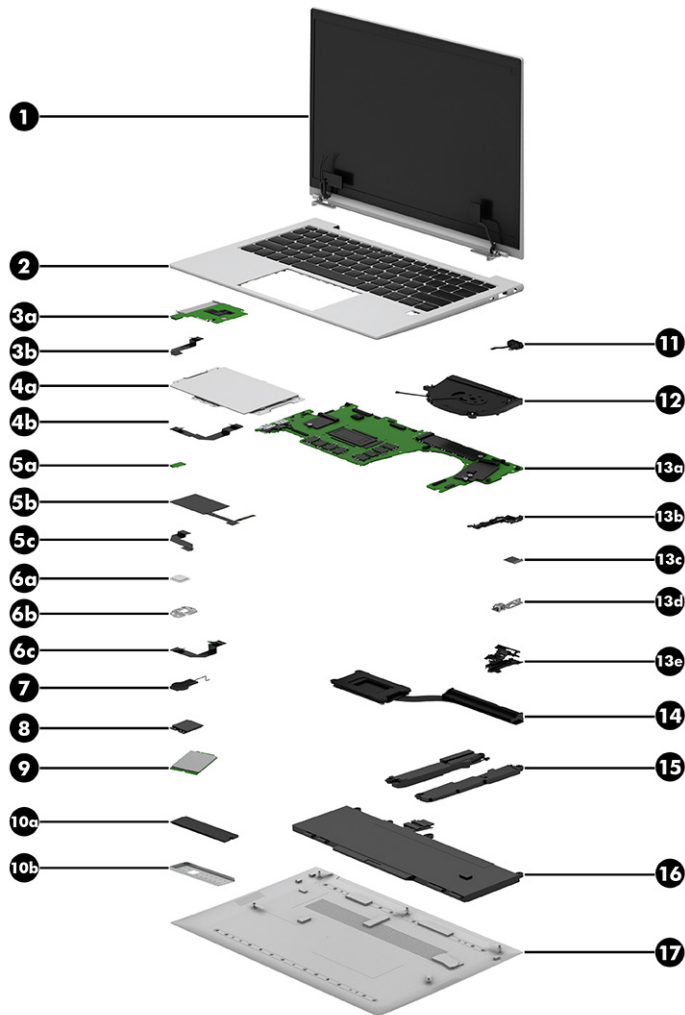


Table 3-1 Computer major component descriptions and part numbers

Item	Component	Spare part number
(1)	Display assembly: Display assembly spare parts are available as subcomponents, not as whole units. For spare part information, see Display assembly subcomponents on page 22 .	
(2)	Top cover with keyboard spill resistant with backlight and privacy filter (includes backlight cable and keyboard cable):	N55307-xxx
	Top cover with keyboard spill resistant with backlight (includes backlight cable and keyboard cable):	N55306-xxx
	Top cover with keyboard spill resistant (includes keyboard cable):	N55305-xxx
	For use in country or region:	Country code:
	For use in Belgium	-A41
	For use in Brazil	-201
	For use in Bulgaria	-261
	For use in the Czech Republic and Slovakia	-FL1
	For use in Denmark	-081

Table 3-1 Computer major component descriptions and part numbers (continued)

Item	Component	Spare part number
	For use in Denmark, Finland, and Norway	-DH1
	For use in France	-051
	For use in French Canada	-DB1
	For use in Germany	-041
	For use in Greece	-151
	For use in Hungary	-211
	For use in Iceland	-DD1
	For use in India	-D61
	For use in Israel	-BB1
	For use in Italy	-061
	For use in Japan	-291
	For use in Kazakhstan	-DF1
	For use in Latin America	-161
	For use in the Netherlands	-B31
	For use in North Africa	-FP1
	For use in Norway	-091
	For use in Portugal	-131
	For use in Romania	-271
	For use in Russia	-251
	For use in Saudi Arabia	-171
	For use in Slovenia	-BA1
	For use in South Korea	-AD1
	For use in Spain	-071
	For use in Sweden and Finland	-B71
	For use in Switzerland	-BG1
	For use in Taiwan	-AB1
	For use in Thailand	-281
	For use in Turkey	-141
	For use in Turkey-F	-541
	For use in Ukraine	-BD1
	For use in the United Kingdom	-031
	For use in the United States	-001

Table 3-1 Computer major component descriptions and part numbers (continued)

Item	Component	Spare part number
(3a)	Card reader	N02323-001
	NOTE: The card reader spare part kit does not include the card reader cable. The card reader cable is included in the Cable Kit, spare part number N17332-001.	
(3b)	Card reader cable (included in the Cable Kit, spare part number N17332-001)	
(4a)	Touchpad:	
	NOTE: The touchpad spare part kit does not include the touchpad cable. The touchpad cable is included in the Cable Kit, spare part number N17332-001.	
	With NFC module antenna	N15468-001
	Without NFC module antenna	N08533-001
(4b)	Touchpad cable (included in the Cable Kit, spare part number N17332-001)	
(5a)	NFC module	N08706-001
	NOTE: The NFC module spare part kit does not include the NFC module antenna or the NFC module cable. The NFC module antenna is included in the Antenna Kit, spare part number N16105-001. The NFC module cable is included in the Cable Kit, spare part number N17332-001.	
(5b)	NFC module antenna (included in the Antenna Kit, spare part number N16105-001)	
(5c)	NFC module cable (included in the Cable Kit, spare part number N17332-001)	
(6a)	Fingerprint reader	N02325-001
	NOTE: The fingerprint reader spare part kit does not include the fingerprint reader bracket or the fingerprint reader cable. The fingerprint reader bracket is included in the Bracket Kit, spare part number N61102-001. The fingerprint reader cable is included in the Cable Kit, spare part number N17332-001.	
(6b)	Fingerprint reader bracket (included in the Bracket Kit, spare part number N61102-001)	
(6c)	Fingerprint reader cable (included in the Cable Kit, spare part number N17332-001)	
(7)	RTC battery (includes cable and double-sided adhesive)	N13694-001
(8)	WLAN module:	
	MediaTek RZ616 Wi-Fi 6E + Bluetooth 5.3 M.2 2230 AIM-T 160 MHz PCI-e + USB worldwide (WW) WLAN module	M22541-001
	Realtek 8852CE Wi-Fi 6E + Bluetooth 5.3 M.2 2230 PCI-e + USB WW WLAN module	N19618-001
(9)	WWAN module:	
	Intel 5000 5G Solution WWAN module	N00181-001
	Intel XMM 7560 R+ LTE-Advanced Pro (Cat 16) WWAN module	N00182-001
(10a)	Solid-state drive:	
	2 TB, M.2 2280, PCIe-4x4, ZTurbo solid-state drive with TLC	M52027-001
	1 TB, 2280, PCIe-4x4, NVMe solid-state drive with TLC	M16560-001
	1 TB, M.2 2280, PCIe-4x4, SED solid-state drive with TLC	N23415-001
	512 GB, M.2 2280, PCIe-4x4, NVMe solid-state drive with TLC	M17436-001
	512 GB, M.2 2280, PCIe-4x4, NVMe solid-state drive	N45476-001
	512 GB, M.2 2280, PCIe-4x4, SED solid-state drive with TLC	N52031-001

Table 3-1 Computer major component descriptions and part numbers (continued)

Item	Component	Spare part number
	256 GB, M.2 2280, PCIe-4×4, NVMe solid-state drive	N45477-001
	256 GB, M.2 2280, PCIe-4×4, NVMe, SED solid-state drive	N35225-001
(10b)	Solid-state drive shield (included in the Solid-State Drive Support Kit, spare part number N14780-001)	
	Solid-State Drive Support Kit (includes the solid-state drive shield and replacement thermal material)	N14780-001
(11)	Audio jack cable (included in the Cable Kit, spare part number N17332-001)	
(12)	Fan (includes captive screws and cable)	N08535-001
(13a)	System board (includes integrated processor and replacement thermal material):	
	Equipped with an AMD Ryzen7 PRO 7840U processor, 32 GB of on-board system memory, and the Windows 11 operating system	N50865-601
	Equipped with an AMD Ryzen7 PRO 7840U processor, 32 GB of on-board system memory, and a non-Windows operating system	N50865-001
	Equipped with an AMD Ryzen7 PRO 7840U processor, 16 GB of on-board system memory, OSR, and the Windows 11 operating system	N50866-601
	Equipped with an AMD Ryzen7 PRO 7840U processor, 16 GB of on-board system memory, and OSR	N50866-001
	Equipped with an AMD Ryzen7 PRO 7840U processor, 16 GB of on-board system memory, and the Windows 11 operating system	N50864-601
	Equipped with an AMD Ryzen7 PRO 7840U processor, 16 GB of on-board system memory, and a non-Windows operating system	N50864-001
	Equipped with an AMD Ryzen7 7840U processor, 32 GB of on-board system memory, and the Windows 11 operating system	N50863-601
	Equipped with an AMD Ryzen7 7840U processor, 32 GB of on-board system memory, and a non-Windows operating system	N50863-001
	Equipped with an AMD Ryzen7 7840U processor, 16 GB of on-board system memory, and the Windows 11 operating system	N50862-601
	Equipped with an AMD Ryzen7 7840U processor, 16 GB of on-board system memory, and a non-Windows operating system	N50862-001
	Equipped with an AMD Ryzen5 PRO 7540U processor, 32 GB of on-board system memory, and the Windows 11 operating system	N50861-601
	Equipped with an AMD Ryzen5 PRO 7540U processor, 32 GB of on-board system memory, and a non-Windows operating system	N50861-001
	Equipped with an AMD Ryzen5 PRO 7540U processor, 16 GB of on-board system memory, OSR, and the Windows 11 operating system	N50860-601
	Equipped with an AMD Ryzen5 PRO 7540U processor, 16 GB of on-board system memory, and OSR	N50860-001
	Equipped with an AMD Ryzen5 PRO 7540U processor, 16 GB of on-board system memory, and the Windows 11 operating system	N50859-601
	Equipped with an AMD Ryzen5 PRO 7540U processor, 16 GB of on-board system memory, and a non-Windows operating system	N50859-001
	Equipped with an AMD Ryzen5 PRO 7540U processor, 8 GB of on-board system memory, and the Windows 11 operating system	N50858-601

Table 3-1 Computer major component descriptions and part numbers (continued)

Item	Component	Spare part number
	Equipped with an AMD Ryzen5 PRO 7540U processor, 8 GB of on-board system memory, and a non-Windows operating system	N50858-001
	Equipped with an AMD Ryzen5 7540U processor, 32 GB of on-board system memory, and the Windows 11 operating system	N50857-601
	Equipped with an AMD Ryzen5 7540U processor, 32 GB of on-board system memory, and a non-Windows operating system	N50857-001
	Equipped with an AMD Ryzen5 7540U processor, 16 GB of on-board system memory, and the Windows 11 operating system	N50856-601
	Equipped with an AMD Ryzen5 7540U processor, 16 GB of on-board system memory, and a non-Windows operating system	N50856-001
	Equipped with an AMD Ryzen5 7540U processor, 8 GB of on-board system memory, and the Windows 11 operating system	N50855-601
	Equipped with an AMD Ryzen5 7540U processor, 8 GB of on-board system memory, and a non-Windows operating system	N50855-001
(13b)	Cable retainer (included in the Plastics Kit, spare part number N08530-001)	
(13c)	SIM slot insert (included in the Plastics Kit, spare part number N08530-001)	
(13d)	I/O bracket (included in the Bracket Kit, spare part number N61102-001)	
(13e)	Cable retainer (included in the Plastics Kit, spare part number N08530-001)	
	System Board Support Kit (not illustrated)	N13982-888
(14)	Heat sink (includes captive screws and replacement thermal material)	N07343-001
(15)	Speakers (include cables, left and right speakers, and 4 rubber isolators)	N08534-001
(16)	Battery (Li-ion, includes cable):	M77034-006
	3 cell, 51 Whr, 4.68 Ahr	M73466-005
	3 cell, 38 Whr, 3.525 Ahr	N22347-005
(17)	Bottom cover	N14775-001

Display assembly subcomponents

To identify the display assembly subcomponents, use this illustration and table.

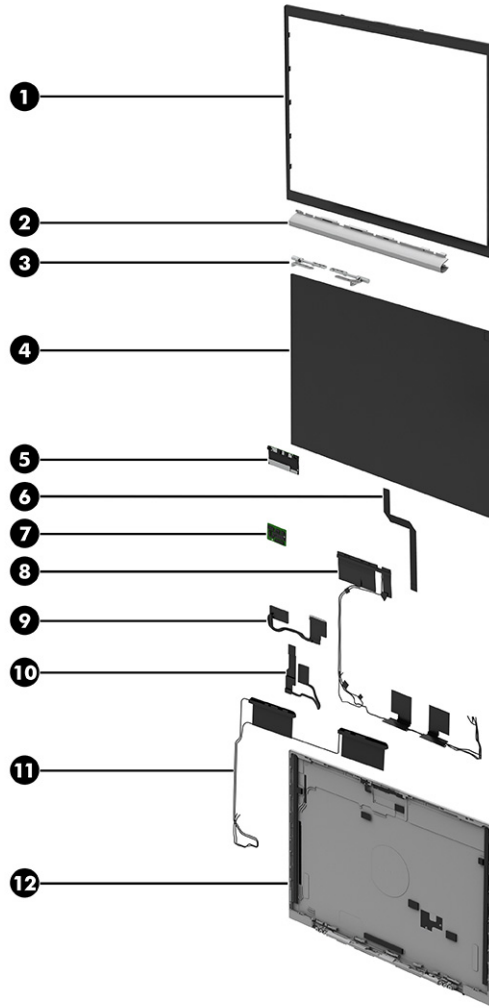


Table 3-2 Display component descriptions and part numbers

Item	Component	Spare part number
(1)	Display bezel:	
	For use on computer models equipped with a display panel with an infrared webcam and ACS	N08523-001
	For use on computer models equipped with a display panel with an infrared webcam	N08526-001
	For use on computer models equipped with a display panel with an RGB webcam and ACS	N08524-001
	For use on computer models equipped with a display panel with an RGB webcam	N08527-001
	For use on computer models equipped with a microphone	N08525-001
(2)	Display hinge cover (included in the Display Hinge Kit, spare part number N49523-001)	
(3)	Display Hinge Kit (includes left and right display hinges and display hinge cover)	N49523-001
(4)	Display panel:	
	33.8 cm (13.3 in), LCD, WUXGA (1920 × 1200), antiglare, UWVA, TOP display panel; typical brightness: 250 nits	N14758-001
	33.8 cm (13.3 in), LCD, WUXGA (1920 × 1200), antiglare, UWVA, non-TOP display panel; typical brightness: 1000 nits	N14759-001

Table 3-2 Display component descriptions and part numbers (continued)

Item	Component	Spare part number
	33.8 cm (13.3 in), LCD, WUXGA (1920 × 1200), antiglare, UWVA locked, non-TOP display panel; typical brightness: 400 nits	N58152-001
	33.8 cm (13.3 in), LCD, WUXGA (1920 × 1200), antiglare, UWVA, non-TOP display panel; typical brightness: 400 nits	N14756-001
	33.8 cm (13.3 in), LCD, WUXGA (1920 × 1200), antiglare, UWVA, non-TOP display panel; typical brightness: 250 nits	N14757-001
(5)	Webcam module (includes double-sided adhesive):	
	For use on computer models equipped with an infrared webcam module	N48854-001
	For use on computer models equipped with an RGB webcam module	N48855-001
(6)	Webcam module cable (included in the Display Cable Kit, spare part number N08538-001; includes double-sided adhesive)	
	Microphone module (not illustrated)	N15440-001
	Microphone module cable (not illustrated; the microphone module cable is included in the Display Cable Kit, spare part number N08538-001, and includes double-sided adhesive)	
(7)	Hub board (includes double-sided adhesive):	
	Infrared hub board	N55309-001
	RGB hub board	N55308-001
	ACS board (not illustrated; includes cable and double-sided adhesive)	N08540-001
(8)	WWAN antenna (included in the Display Antenna Kit, spare part number N16105-001; includes four WWAN antenna cables and transceivers and double-sided adhesive)	
(9)	Display panel cable (included in the Display Panel Cable Kit, spare part number N08538-001)	
(10)	Hub board cable (included in the Display Cable Kit, spare part number N17331-001; includes double-sided adhesive)	
(11)	WLAN antenna (included in the Display Antenna Kit, spare part number N16105-001; includes left and right WLAN antenna cables and transceivers and double-sided adhesive)	
(12)	Display back cover:	
	For use on computer models with WWAN capability and equipped with a display panel with a brightness level of 1000	N49522-001
	For use on computer models without WWAN capability and equipped with a display panel with a brightness level of 1000	N49521-001
	For use on computer models with WWAN capability and equipped with a display panel with a brightness level of 400 nits	N49518-001
	For use on computer models without WWAN capability and equipped with a display panel with a brightness level of 400 nits	N49517-001
	For use on computer models with WWAN capability and equipped with a display panel with a brightness level of 250 nits	N49520-001
	For use on computer models without WWAN capability and equipped with a display panel with a brightness level of 250 nits	N49519-001

Mass storage devices

To identify the mass storage devices, use this illustration and table.

Table 3-3 Mass storage device descriptions and part numbers

Component	Spare part number
2 TB, M.2 2280, PCIe-4x4, ZTurbo solid-state drive with TLC	M52027-001
1 TB, 2280, PCIe-4x4, NVMe solid-state drive with TLC	M16560-001
1 TB, M.2 2280, PCIe-4x4, SED solid-state drive with TLC	N23415-001
512 GB, M.2 2280, PCIe-4x4, NVMe solid-state drive with TLC	M17436-001
512 GB, M.2 2280, PCIe-4x4, NVMe solid-state drive	N45476-001
512 GB, M.2 2280, PCIe-4x4, SED solid-state drive with TLC	N52031-001
256 GB, M.2 2280, PCIe-4x4, NVMe solid-state drive	N45477-001
256 GB, M.2 2280, PCIe-4x4, NVMe, SED solid-state drive	N35225-001

Cables

To identify the Cable Kit components, use this table.

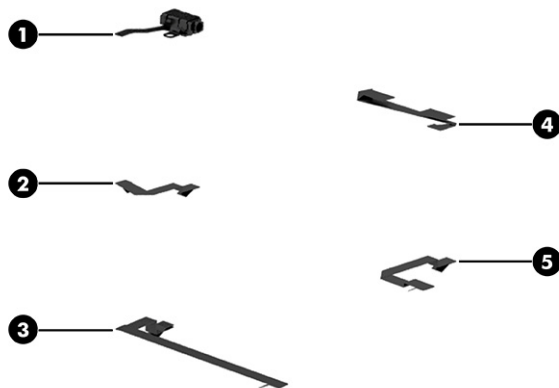


Table 3-4 Cable Kit components descriptions

Item	Component
The cables listed below are available in the Cable Kit, spare part number N17332-001.	
(1)	Audio jack cable
(2)	Card reader cable
(3)	Fingerprint reader cable
(4)	NFC module cable
(5)	Touchpad cable

Miscellaneous parts

To identify the miscellaneous parts, use this table.

Table 3-5 Miscellaneous part descriptions and part numbers

Component	Spare part number
AC adapter:	
280 W AC adapter (PFC, 3-pin, 7.4 mm, slim barrel)	M52952-001
120 W HP Smart AC adapter (PFC, 7.4 mm, slim barrel)	L57117-001
120 W HP Smart AC adapter (PFC, 7.4 mm, slim barrel)	L89695-001
120 W HP Smart AC adapter (PFC, RC, 4.5 mm, slim barrel)	M95377-001
65 W AC adapter (USB Type-C) + power cord (FDH, 1.8 m [6.0 ft]) bundle:	
For use in North America	L43180-010
For use in the United Kingdom	L43180-016
65 W AC adapter (nPFC, S-3P, 4.5 mm)	710412-001
65 W AC adapter (nPFC, USB Type-C, 1.8 m [6.0 ft])	L67440-001
65 W AC adapter (nPFC, USB Type-C, 1.8 m [6.0 ft])	L32392-001
65 W AC adapter (nPFC, USB Type-C, slim with straight barrel, 1.8 m [6.0 ft])	L04650-850
45 W AC adapter (USB Type-C) + power cord (FDH, 1.8 m [6.0 ft]) bundle for use in North America	L43182-010
45 W AC adapter HP Smart (nPFC, RC, 4.5mm, non-slim)	741727-001
45 W AC adapter (nPFC, USB Type-C, 3-pin, 1.8 m [6.0 ft])	L43407-001
45 W AC adapter (nPFC, USB Type-C, 3-pin, wall mount)	L32390-001
45 W AC adapter (USB Type-C) + power cord (DH, C5, black) bundle for use in South Korea	L43183-001
HP Smart Adapter 7.4 mm adapter	734734-001
Duckhead adapter for use in North America (C5NS, premium with sticker, black)	L50818-002
Adapter:	
USB Type-C-to-USB Type-A connector adapter	L65254-001
Bracket Kit (includes fingerprint reader bracket and system board I/O bracket)	N61102-001
Cable:	
Cable Kit for 120 W Dock	L15812-002
HP Thunderbolt™ 4 280 W cable (0.8 m [3.0 ft])	M88059-001
HP Thunderbolt 4 120 W cable (0.8 m [3.0 ft])	M88058-001
USB Type-C male-to-USB Type-C male cable (1.0 m [3.3 ft])	L65253-001
Dock:	
HP G4 280 W dock with combination cable TAA	N17491-001
HP G4 280 W dock with combination cable	N97106-001
HP G4 120 W dock with combination cable TAA	N17490-001

Table 3-5 Miscellaneous part descriptions and part numbers (continued)

Component	Spare part number
HP G4 120 W dock with combination cable	N97105-001
HP USB External DV D+-RW Drive	747080-001
Miscellaneous Kit	N08544-001
Power cord (C13, 1.8 m [6.0 ft], conventional with sticker):	
For use in Argentina	L19357-002
For use in Australia	L19358-002
For use in Brazil	L19359-002
For use in Denmark	L19360-002
For use in Europe	L19361-002
For use in India	L19363-002
For use in Israel	L19362-002
For use in Italy	L19364-002
For use in Japan	L19365-002
For use in North America	L19367-002
For use in the People's Republic of China	L19368-002
For use in South Africa	L19369-002
For use in South Korea	L19366-002
For use in Switzerland	L19370-002
For use in Taiwan	L19372-002
For use in Thailand	L19371-002
For use in the United Kingdom	L19373-002
Power cord (C13, 1.0 m [3.3 ft], premium with tag):	
For use in Argentina	L32029-001
For use in Italy	L32031-001
Power cord (C13, 1.0 m [3.3 ft], premium with tag, low wattage):	
For use in Argentina	401328-018
For use in Australia	100661-021
For use in Denmark	130627-014
For use in Europe	100614-016
For use in India	403440-008
For use in Israel	398062-011
For use in Italy	109197-012
For use in Japan	653326-005
For use in North America	121565-023

Table 3-5 Miscellaneous part descriptions and part numbers (continued)

Component	Spare part number
For use in the People's Republic of China	286496-024
For use in South Africa	187487-012
For use in South Korea	231216-015
For use in Switzerland	150304-015
For use in Taiwan	393312-008
For use in Thailand	285052-013
For use in the United Kingdom	100613-021
Power cord (C5, 1.0 m [3.3 ft], conventional with sticker):	
For use in Argentina	L19357x-001
For use in Australia	L19358-001
For use in Brazil	L19359-001
For use in Denmark	L19360-001
For use in Europe	L19361-001
For use in India	L19363-001
For use in Israel	L19364-001
For use in Italy	L19362-001
For use in Japan	L19365-001
For use in North America	L19367-001
For use in the People's Republic of China	L19368-001
For use in South Africa	L19369-001
For use in South Korea	L19366-001
For use in Switzerland	L19370-001
For use in Taiwan	L19372-001
For use in Thailand	L19371-001
For use in the United Kingdom	L19373-001
Power cord (C5, 1.0 m [3.3 ft], conventional with sticker, HF):	
For use in Denmark	M79264-001
For use in Europe	M79266-001
For use in Switzerland	M79265-001
Power cord (C5, 1.0 m [3.3 ft], premium with sticker):	
For use in Argentina	L30811-001
For use in Australia	L22327-001
For use in Brazil	L30812-001
For use in Denmark	L22322-001

Table 3-5 Miscellaneous part descriptions and part numbers (continued)

Component	Spare part number
For use in Europe	L22321-001
For use in India	L22624-001
For use in Israel	L22323-001
For use in Italy	L30813-001
For use in Japan	L22330-001
For use in North America	L22319-001
For use in the People's Republic of China	L21930-001
For use in South Africa	L22325-001
For use in South Korea	L22328-001
For use in Switzerland	L22324-001
For use in Taiwan	L22329-001
For use in Thailand	L22326-001
For use in the United Kingdom	L22320-001
Screw Kit	N49525-001

4 Removal and replacement procedures preliminary requirements

Use this information to properly prepare to disassemble and reassemble the computer.

Tools required

You need the following tools to complete the removal and replacement procedures:

- Tweezers
- Nonconductive, nonmarking pry tool
- Magnetic Phillips P1 screwdriver

Service considerations

The following sections include some of the considerations that you must keep in mind during disassembly and assembly procedures.



NOTE: As you remove each subassembly from the computer, place the subassembly (and all accompanying screws) away from the work area to prevent damage.

Plastic parts

Using excessive force during disassembly and reassembly can damage plastic parts.

Cables and connectors

Handle cables with extreme care to avoid damage.




IMPORTANT: When servicing the computer, be sure that cables are placed in their proper locations during the reassembly process. Improper cable placement can damage the computer.

Apply only the tension required to unseat or seat the cables during removal and insertion. Handle cables by the connector whenever possible. In all cases, avoid bending, twisting, or tearing cables. Be sure that cables are routed so that they cannot be caught or snagged as you remove or replace parts. Handle flex cables with extreme care; these cables tear easily.

Drive handling

Note the following guidelines when handling drives.


 **IMPORTANT:** Drives are fragile components. Handle them with care. To prevent damage to the computer, damage to a drive, or loss of information, observe these precautions:

- Before removing or inserting a hard drive, shut down the computer. If you are unsure whether the computer is off or in Hibernation, turn the computer on, and then shut it down through the operating system.
 - Before handling a drive, be sure that you are discharged of static electricity. While handling a drive, avoid touching the connector.
 - Before removing an optical drive, be sure that a disc is not in the drive, and be sure that the optical drive tray is closed.
 - Handle drives on surfaces covered with at least 2.54 cm (1 inch) of shock-proof foam.
 - Avoid dropping drives from any height onto any surface.
 - After removing a hard drive or an optical drive, place it in a static-proof bag.
 - Avoid exposing an internal hard drive to products that have magnetic fields, such as monitors or speakers.
 - Avoid exposing a drive to temperature extremes or liquids.
 - If a drive must be mailed, place the drive in a bubble pack mailer or other suitable form of protective packaging, and label the package “FRAGILE.”
-

Electrostatic discharge information

A sudden discharge of static electricity from your finger or other conductor can destroy static-sensitive devices or microcircuitry. Often the spark is neither felt nor heard, but damage occurs. An electronic device exposed to electrostatic discharge (ESD) might not appear to be affected at all and can work perfectly throughout a normal cycle. The device might function normally for a while, but it has been degraded in the internal layers, reducing its life expectancy.

Networks built into many integrated circuits provide some protection, but in many cases, the discharge contains enough power to alter device parameters or melt silicon junctions.

 **IMPORTANT:** To prevent damage to the device when you remove or install internal components, observe these precautions:

- Keep components in their electrostatic-safe containers until you are ready to install them.
 - Before touching an electronic component, discharge static electricity by using the guidelines described in [Personal grounding methods and equipment on page 32](#).
 - Avoid touching pins, leads, and circuitry. Handle electronic components as little as possible.
 - If you remove a component, place it in an electrostatic-safe container.
-

Generating static electricity

Follow these static electricity guidelines:

- Different activities generate different amounts of static electricity.
- Static electricity increases as humidity decreases.

Table 4-1 Static electricity occurrence based on activity and humidity

Event	Relative humidity		
	55%	40%	10%
Walking across carpet	7,500 V	15,000 V	35,000 V
Walking across vinyl floor	3,000 V	5,000 V	12,000 V
Motions of bench worker	400 V	800 V	6,000 V
Removing dual in-line packages (DIPs) from plastic tube	400 V	700 V	2,000 V
Removing DIPs from vinyl tray	2,000 V	4,000 V	11,500 V
Removing DIPs from polystyrene foam	3,500 V	5,000 V	14,500 V
Removing bubble pack from PCB (printed circuit board)	7,000 V	20,000 V	26,500 V
Packing PCBs in foam-lined box	5,000 V	11,000 V	21,000 V
Multiple electric components can be packaged together in plastic tubes, trays, or polystyrene foam.			



NOTE: As little as 700 V of static electricity can degrade a product.

Preventing electrostatic damage to equipment

Many electronic components are sensitive to ESD. Circuitry design and structure determine the degree of sensitivity.

The following packaging and grounding precautions are necessary to prevent static electricity damage to electronic components:

- To avoid hand contact, transport products in static-safe containers such as tubes, bags, or boxes.
- Protect all electrostatic parts and assemblies with conductive or approved containers or packaging.
- Keep electrostatic-sensitive parts in their containers until they arrive at static-free stations.
- Place items on a grounded surface before removing them from their container.
- Always be properly grounded when touching a sensitive component or assembly.
- Avoid contact with pins, leads, or circuitry.
- Place reusable electrostatic-sensitive parts from assemblies in protective packaging or conductive foam.

Personal grounding methods and equipment

Using certain equipment can prevent static electricity damage to electronic components.

- **Wrist straps** are flexible straps with a maximum of 1 M Ω \pm 10% resistance in the ground cords. To provide proper ground, a strap must be worn snug against bare skin. The ground cord must be connected and fit snugly into the banana plug connector on the grounding mat or workstation.
- You can use **heel straps, toe straps, and boot straps** at standing workstations. These straps are compatible with most types of shoes or boots. On conductive floors or dissipative floor mats, use them on both feet with a maximum of 1 M Ω \pm 10% resistance between the operator and ground.

Table 4-2 Static shielding protection levels

Static shielding protection levels	
Method	Voltage
Antistatic plastic	1,500
Carbon-loaded plastic	7,500
Metallized laminate	15,000

Grounding the work area

To prevent static damage at the work area, follow these precautions:

- Cover the work surface with approved static-dissipative material.
- Use a wrist strap connected to a properly grounded work surface and use properly grounded tools and equipment.
- Use static-dissipative mats, foot straps, or air ionizers to give added protection.
- Handle electrostatic sensitive components, parts, and assemblies by the case or PCB laminate. Handle them only at static-free work areas.
- Turn off power and input signals before inserting and removing connectors or test equipment.
- Use fixtures made of static-safe materials when fixtures must directly contact dissipative surfaces.
- Keep the work area free of nonconductive materials, such as ordinary plastic assembly aids and polystyrene foam.
- Use conductive field service tools, such as cutters, screwdrivers, and vacuums.
- Avoid contact with pins, leads, or circuitry.

Recommended materials and equipment

HP recommends certain materials and equipment to prevent static electricity:

- Antistatic tape
- Antistatic smocks, aprons, or sleeve protectors
- Conductive bins and other assembly or soldering aids
- Conductive foam
- Conductive tabletop workstations with ground cord of $1\text{ M}\Omega \pm 10\%$ resistance
- Static-dissipative table or floor mats with hard tie to ground
- Field service kits
- Static awareness labels
- Wrist straps and footwear straps providing $1\text{ M}\Omega \pm 10\%$ resistance
- Material handling packages

- Conductive plastic bags
- Conductive plastic tubes
- Conductive tote boxes
- Opaque shielding bags
- Transparent metallized shielding bags
- Transparent shielding tubes

Cleaning your computer

Cleaning your computer regularly removes dirt and debris so that your device continues to operate at its best. Use the following information to safely clean the external surfaces of your computer.

Enabling HP Easy Clean (select products only)

HP Easy Clean helps you to avoid accidental input while you clean the computer surfaces. This software disables devices such as the keyboard, touch screen, and touchpad for a preset amount of time so that you can clean all computer surfaces.

1. Start HP Easy Clean in one of the following ways:
 - Select the **Start** menu, and then select **HP Easy Clean**.
 - or -
 - Select the **HP Easy Clean** icon in the taskbar.
 - or -
 - Select **Start**, and then select the **HP Easy Clean** tile.
2. Now that your device is disabled for a short period, see [Removing dirt and debris from your computer on page 34](#) for the recommended steps to clean the high-touch, external surfaces on your computer. After you remove the dirt and debris, you can also clean the surfaces with a disinfectant. See [Cleaning your computer with a disinfectant on page 35](#) for guidelines to help prevent the spread of harmful bacteria and viruses.

Removing dirt and debris from your computer


Here are the recommended steps to clean dirt and debris from your computer.

For computers with wood veneer, see [Caring for wood veneer \(select products only\) on page 36](#).


1. Wear disposable gloves made of latex (or nitrile gloves, if you are latex-sensitive) when cleaning the surfaces.
2. Turn off your device and unplug the power cord and other connected external devices. Remove any installed batteries from items such as wireless keyboards.

⚠ CAUTION: To prevent electric shock or damage to components, never clean a product while it is turned on or plugged in.

3. Moisten a microfiber cloth with water. The cloth should be moist, but not dripping wet.

 **IMPORTANT:** To avoid damaging the surface, avoid abrasive cloths, towels, and paper towels.

4. Wipe the exterior of the product gently with the moistened cloth.

 **IMPORTANT:** Keep liquids away from the product. Avoid getting moisture in any openings. If liquid makes its way inside your HP product, it can cause damage to the product. Do not spray liquids directly on the product. Do not use aerosol sprays, solvents, abrasives, or cleaners containing hydrogen peroxide or bleach that might damage the finish.

5. Start with the display (if applicable). Wipe carefully in one direction, and move from the top of the display to the bottom. Finish with any flexible cables, like power cord, keyboard cable, and USB cables.
6. Be sure that surfaces have completely air-dried before turning the device on after cleaning.
7. Discard the gloves after each cleaning. Clean your hands immediately after you remove the gloves.

See [Cleaning your computer with a disinfectant on page 35](#) for recommended steps to clean the high-touch, external surfaces on your computer to help prevent the spread of harmful bacteria and viruses.


Cleaning your computer with a disinfectant

The World Health Organization (WHO) recommends cleaning surfaces, followed by disinfection, as a best practice for preventing the spread of viral respiratory illnesses and harmful bacteria.


After cleaning the external surfaces of your computer using the steps in [Removing dirt and debris from your computer on page 34](#), [Caring for wood veneer \(select products only\) on page 36](#), or both, you might also choose to clean the surfaces with a disinfectant. A disinfectant that is within HP's cleaning guidelines is an alcohol solution consisting of 70% isopropyl alcohol and 30% water. This solution is also known as rubbing alcohol and is sold in most stores.


Follow these steps when disinfecting high-touch, external surfaces on your computer:

1. Wear disposable gloves made of latex (or nitrile gloves, if you are latex-sensitive) when cleaning the surfaces.
2. Turn off your device and unplug the power cord and other connected external devices. Remove any installed batteries from items such as wireless keyboards.

 **CAUTION:** To prevent electric shock or damage to components, never clean a product while it is turned on or plugged in.

3. Moisten a microfiber cloth with a mixture of 70% isopropyl alcohol and 30% water. The cloth should be moist, but not dripping wet.

 **CAUTION:** Do not use any of the following chemicals or any solutions that contain them, including spray-based surface cleaners: bleach, peroxides (including hydrogen peroxide), acetone, ammonia, ethyl alcohol, methylene chloride, or any petroleum-based materials, such as gasoline, paint thinner, benzene, or toluene.

 **IMPORTANT:** To avoid damaging the surface, avoid abrasive cloths, towels, and paper towels.

4. Wipe the exterior of the product gently with the moistened cloth.



IMPORTANT: Keep liquids away from the product. Avoid getting moisture in any openings. If liquid makes its way inside your HP product, it can cause damage to the product. Do not spray liquids directly on the product. Do not use aerosol sprays, solvents, abrasives, or cleaners containing hydrogen peroxide or bleach that might damage the finish.

5. Start with the display (if applicable). Wipe carefully in one direction, and move from the top of the display to the bottom. Finish with any flexible cables, like power cord, keyboard cable, and USB cables.
6. Be sure that surfaces have completely air-dried before turning the device on after cleaning.
7. Discard the gloves after each cleaning. Clean your hands immediately after you remove the gloves.

Caring for wood veneer (select products only)

Your product might feature high-quality wood veneer. As with all natural wood products, proper care is important for best results over the life of the product. Because of the nature of natural wood, you might see unique variations in the grain pattern or subtle variations in color, which are normal.

- Clean the wood with a dry, static-free microfiber cloth or chamois.
- Avoid cleaning products containing substances such as ammonia, methylene chloride, acetone, turpentine, or other petroleum-based solvents.
- Do not expose the wood to sun or moisture for long periods of time.
- If the wood becomes wet, dry it by dabbing with an absorbent, lint-free cloth.
- Avoid contact with any substance that might dye or discolor the wood.
- Avoid contact with sharp objects or rough surfaces that might scratch the wood.

See [Removing dirt and debris from your computer on page 34](#) for the recommended steps to clean the high-touch, external surfaces on your computer. After you remove the dirt and debris, you can also clean the surfaces with a disinfectant. See [Cleaning your computer with a disinfectant on page 35](#) for sanitizing guidelines to help prevent the spread of harmful bacteria and viruses.

Packaging and transporting guidelines

Follow these grounding guidelines when packaging and transporting equipment:

- To avoid hand contact, transport products in static-safe tubes, bags, or boxes.
- Protect ESD-sensitive parts and assemblies with conductive or approved containers or packaging.
- Keep ESD-sensitive parts in their containers until the parts arrive at static-free workstations.
- Place items on a grounded surface before removing items from their containers.
- Always be properly grounded when touching a component or assembly.
- Store reusable ESD-sensitive parts from assemblies in protective packaging or nonconductive foam.

- Use transporters and conveyors made of antistatic belts and roller bushings. Be sure that mechanized equipment used for moving materials is wired to ground and that proper materials are selected to avoid static charging. When grounding is not possible, use an ionizer to dissipate electric charges.

Accessing support information

To find the HP support that you need, use this information.

Table 4-3 Support information locations



Service consideration	Path to access information
Records of reported failure incidents stored on the computer	<p>Windows®:</p> <p>Preoperating system failures are logged in the BIOS Event Log. To view the BIOS Event Log:</p> <ol style="list-style-type: none"> 1. Press the power button. 2. Immediately and repeatedly press esc when the power button light turns white. <p>NOTE: If you do not press esc at the appropriate time, you must restart the computer and again repeatedly press esc when the power button light turns white to access the utility.</p> <ol style="list-style-type: none"> 3. Press f10 to enter the BIOS setup. 4. (On commercial products) Under the Main tab, select BIOS event log, and then select View BIOS Event Log. <p>- or -</p> <p>(On consumer products) Under the Main tab, select System Log.</p> <p>Post-operating system failures are logged in the Event Viewer.</p> <ol style="list-style-type: none"> 1. Turn on the computer and allow the operating system to open. 2. Select the search icon  in the taskbar. 3. Type <code>Event Viewer</code>, and then press enter. 4. Select the log from the left panel. Details display in the right panel. <p>Chrome™:</p> <ol style="list-style-type: none"> 1. Go to support.google.com/chrome. 2. Search <code>collect Chrome device logs</code>.
Technical bulletins	<p>To locate technical bulletins:</p> <ol style="list-style-type: none"> 1. Go to www.hp.com. 2. Place the cursor over Problem solving to display more options. 3. Select Support & Troubleshooting. 4. Type the serial number, product number, or product name to go to the product support page. 5. Select Advisories to view technical bulletins.


Table 4-3 Support information locations (continued)

Service consideration	Path to access information
Repair professionals	To locate repair professionals: <ol style="list-style-type: none"><li data-bbox="679 306 906 333">1. Go to www.hp.com.<li data-bbox="679 359 1337 386">2. Place the cursor over Support resources to display more options.<li data-bbox="679 411 1066 438">3. Select Authorized service providers.
Component and diagnosis information, failure detection, and required action	To locate diagnosis information and actions: <ol style="list-style-type: none"><li data-bbox="679 506 1177 533">1. Go to http://www.hp.com/go/techcenter/pcdiags.<li data-bbox="679 558 911 585">2. Select Get Support.<li data-bbox="679 611 1422 653">3. Near the bottom of the window, select Notebook PCs, and then select your location.

5 Removal and replacement procedures for authorized service provider parts

This chapter provides removal and replacement procedures for authorized service provider parts.

 **IMPORTANT:** Components described in this chapter should be accessed only by an authorized service provider. Accessing these parts can damage the computer or void the warranty.

 **NOTE:** Details about your computer, including model, serial number, product key, and length of warranty, are on the service tag at the bottom of your computer.

Component replacement procedures

To remove and replace computer components, use these procedures.

 **NOTE:** HP continually improves and changes product parts. For complete and current information about supported parts for your computer, go to <http://partsurfer.hp.com>, select your country or region, and then follow the on-screen instructions.

You must remove, replace, or loosen as many as 61 screws when you service the parts described in this chapter. Make special note of each screw size and location during removal and replacement.

Preparation for disassembly

To remove and replace computer components, use these procedures.

See [Removal and replacement procedures preliminary requirements on page 30](#) for initial safety procedures.

1. Turn off the computer. If you are unsure whether the computer is off or in Hibernation, turn the computer on, and then shut it down through the operating system.
2. Disconnect the power from the computer by unplugging the power cord from the computer.
3. Disconnect all external devices from the computer.

Bottom cover

To remove the bottom cover, use this procedure and illustration.

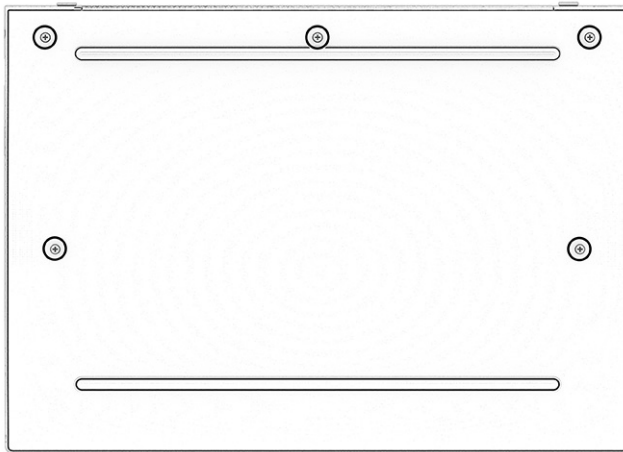
Table 5-1 Bottom cover description and part number

Description	Spare part number
Bottom cover	N14775-001

Before removing the bottom cover, prepare the computer for disassembly (see [Preparation for disassembly on page 39](#)).

Remove the bottom cover:

1. Loosen the five Phillips screws that secure the bottom cover to the computer.



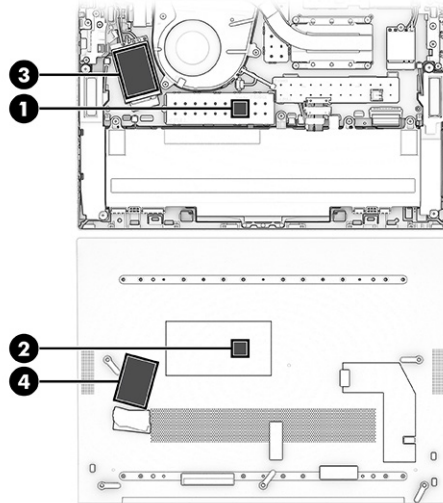
2. Use a nonmarking, nonconductive tool (1) to separate the rear edge of the bottom cover (2) from the computer.
3. Remove the bottom cover (3) from the computer.



4. Inspect the thermal pad on the surfaces of the solid-state drive shield and the bottom cover each time the bottom cover is removed. If the thermal pad is torn, missing part of the pad, or

dirty, replace the thermal pad. The following illustration shows the replacement thermal material locations.

A thermal pad is used on the solid-state drive shield (1) and the bottom cover area (2) that services it. A thermal pad is also used on the WWAN module (3) and the bottom cover area (4) that services it.



To install the bottom cover, reverse the removal procedure.

Battery

To remove the battery, use this procedure and illustration.

Table 5-2 Battery descriptions and part numbers

Description	Spare part number
3 cell, 51 Whr, 4.68 Ahr	M73466-005
3 cell, 38 Whr, 3.525 Ahr	N22347-005

⚠ WARNING! To avoid personal injury and damage to the product:

- Do *not* puncture, twist, or crack the battery.
- Do *not* cause an external puncture or rupture to the battery. They can cause a short inside the battery, which can result in battery thermal runaway.
- Do *not* handle or touch the battery enclosure with sharp objects such as tweezers or pliers, which might puncture the battery.
- Do *not* compress or squeeze the battery case with tools or heavy objects stacked on top of the case. These actions can apply undue force on the battery.
- Do *not* touch the connectors with any metallic surface or object, such as metal tools, screws, or coins, which can cause shorting across the connectors.

Before removing the battery, follow these steps:

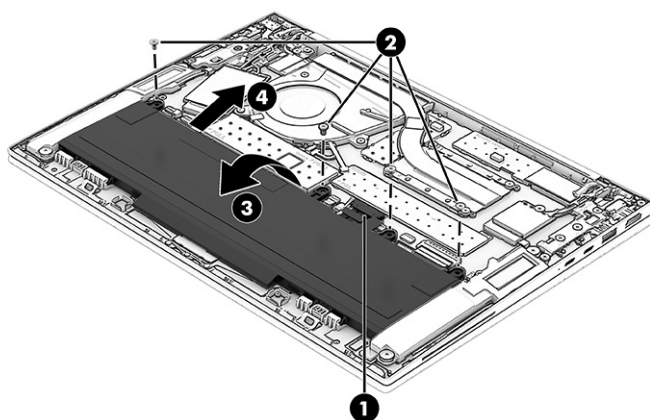
1. Prepare the computer for disassembly (see [Preparation for disassembly on page 39](#)).
2. Remove the bottom cover (see [Bottom cover on page 39](#)).

⚠ WARNING! To reduce potential safety issues, use only the user-replaceable battery provided with the computer, a replacement battery provided by HP, or a compatible battery purchased from HP.

📌 IMPORTANT: Removing a battery that is the sole power source for the computer can cause loss of information. To prevent loss of information, save your work or shut down the computer through Windows before you remove the battery.

Remove the battery:

1. Disconnect the battery cable (1) from the system board.
2. Remove the four Phillips M2.0 × 4.7 screws (2) that secure the battery to the computer.
3. Swing the rear edge of the battery (3) up and forward until it rests at an angle.
4. Remove the battery (4) by sliding it up and back at an angle.



To install the battery, reverse the removal procedure.

WWAN module

To remove the WWAN module, use this procedure and illustration.

Table 5-3 WWAN module descriptions and part numbers

Description	Spare part number
Intel 5000 5G Solution WWAN module	N00181-001
Intel XMM 7560 R+ LTE-Advanced Pro (Cat 16) WWAN module	N00182-001


📌 IMPORTANT: To prevent an unresponsive system, replace the wireless module only with a wireless module authorized for use in the computer by the governmental agency that regulates wireless devices in your country or region. If you replace the module and then receive a warning message, remove the module to restore device functionality, and then contact technical support.

Before removing the WWAN module, follow these steps:

1. Prepare the computer for disassembly (see [Preparation for disassembly on page 39](#)).
2. Remove the bottom cover (see [Bottom cover on page 39](#)).
3. Disconnect the battery cable from the system board (see [Battery on page 41](#)).

Remove the WWAN module:

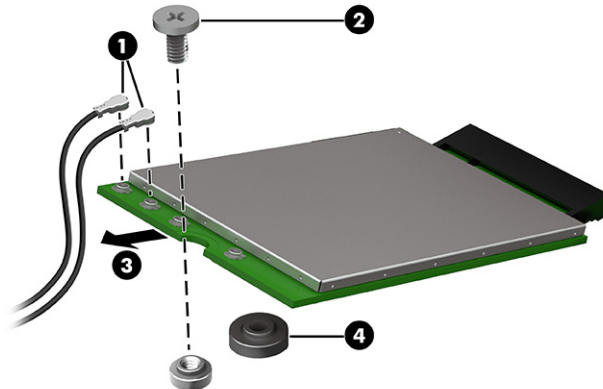
1. Carefully disconnect the WWAN antenna cables **(1)** from the WWAN module.

 **NOTE:** Computer models have one to four WWAN module antenna cables. The antenna cables have tags that identify them with a number that corresponds to a terminal on the WWAN module. Connect the antenna cable to the corresponding WWAN module terminal.

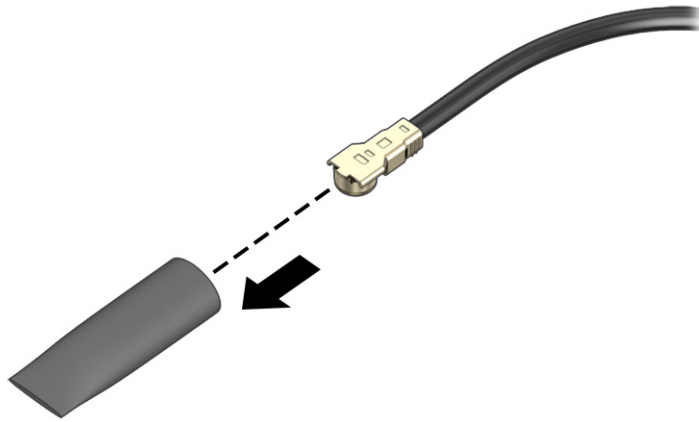
2. Remove the Phillips M2.0 × 2.5 screw **(2)** that secures the WWAN module to the system board.
3. Remove the WWAN module **(3)** by pulling it away from the socket at an angle.

If a 4G WWAN module is installed in the computer, insert a plastic spacer **(4)** between the system board and the WWAN module to ensure correct installation.

Inspect any thermal pads and if a thermal pad is torn, missing part of the pad, or dirty, replace the thermal pad.



4. If the WWAN antenna is not connected to the terminal on the WWAN module, install a protective sleeve on the antenna connector, as shown in the following illustration.



To install the WWAN module, reverse the removal procedure.

Solid-state drive

To remove the solid-state drive, use this procedure and illustration.

Table 5-4 Solid-state drive descriptions and part numbers

Description	Spare part number
2 TB, M.2 2280, PCIe-4×4, ZTurbo solid-state drive with TLC	M52027-001
1 TB, 2280, PCIe-4×4, NVMe solid-state drive with TLC	M16560-001
1 TB, M.2 2280, PCIe-4×4, SED solid-state drive with TLC	N23415-001
512 GB, M.2 2280, PCIe-4×4, NVMe solid-state drive with TLC	M17436-001
512 GB, M.2 2280, PCIe-4×4, NVMe solid-state drive	N45476-001
512 GB, M.2 2280, PCIe-4×4, SED solid-state drive with TLC	N52031-001
256 GB, M.2 2280, PCIe-4×4, NVMe solid-state drive	N45477-001
256 GB, M.2 2280, PCIe-4×4, NVMe, SED solid-state drive	N35225-001

Before removing the solid-state drive, follow these steps:

1. Prepare the computer for disassembly (see [Preparation for disassembly on page 39](#)).
2. Remove the bottom cover (see [Bottom cover on page 39](#)).
3. Disconnect the battery cable from the system board (see [Battery on page 41](#)).

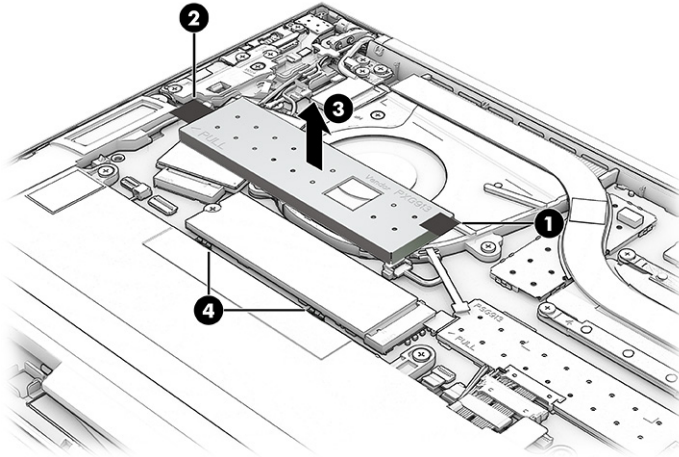
Remove the solid-state drive:

1. Release the grounding tape **(1)** that secures the solid-state drive shield to the memory module shield.

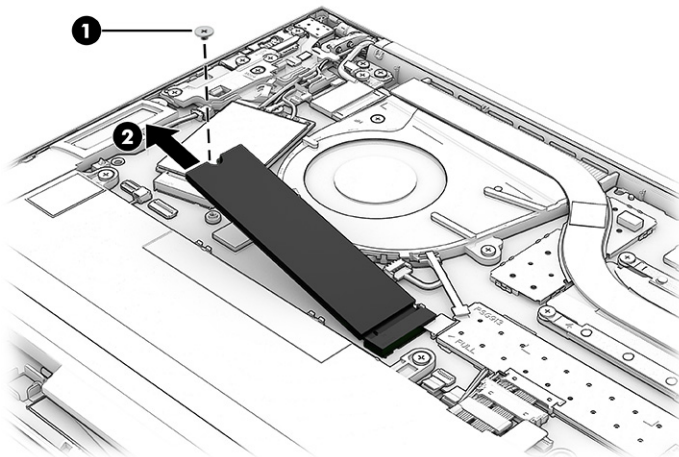
2. Use the tab **(2)** on the solid-state drive shield to lift and remove the shield **(3)** from the computer.

The solid-state drive shield is included in the Solid-State Drive Support Kit, spare part number N14780-001.

When installing the solid-state drive shield, be sure that the edges of the shield fit into all the clips **(4)** that are built into the system board.

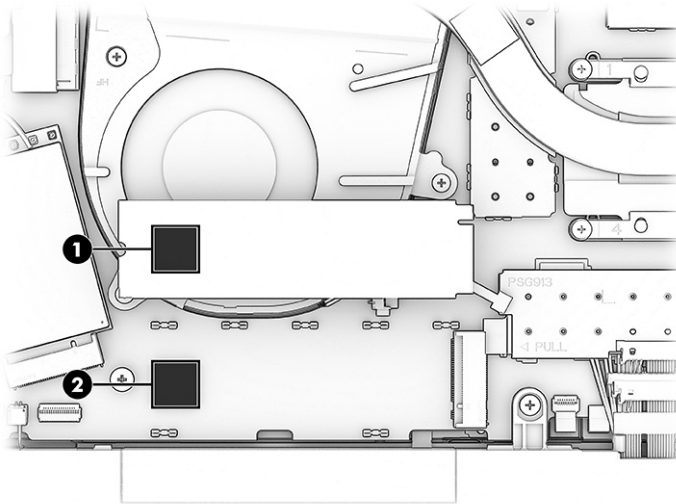


3. Remove the Phillips M2.0 × 2.5 screw **(1)** that secures the solid-state drive to the system board.
4. Pull the solid-state drive **(2)** away from the socket to remove it.



5. Inspect any thermal pads and if a thermal pad is torn, missing part of the pad, or dirty, replace the thermal pad. The thermal pad is available in the Miscellaneous Kit, spare part number N14782-001. The following illustration shows the replacement thermal material locations.

A thermal pad is used on the solid-state drive **(1)** and the system board area **(2)** that services it.



To install the solid-state drive, reverse the removal procedure.



NOTE: Solid-state drives are designed with a notch to prevent incorrect insertion.

WLAN module

To remove the WLAN module, use this procedure and illustration.

Table 5-5 WLAN module descriptions and part numbers

Description	Spare part number
MediaTek RZ616 Wi-Fi 6E + Bluetooth 5.3 M.2 2230 AIM-T 160 MHz PCI-e + USB worldwide (WW) WLAN module	M22541-001
Realtek 8852CE Wi-Fi 6E + Bluetooth 5.3 M.2 2230 PCI-e + USB WW WLAN module	N19618-001



IMPORTANT: To prevent an unresponsive system, replace the wireless module only with a wireless module authorized for use in the computer by the governmental agency that regulates wireless devices in your country or region. If you replace the module and then receive a warning message, remove the module to restore device functionality, and then contact technical support.

Before removing the WLAN module, follow these steps:

1. Prepare the computer for disassembly (see [Preparation for disassembly on page 39](#)).
2. Remove the bottom cover (see [Bottom cover on page 39](#)).
3. Disconnect the battery cable from the system board (see [Battery on page 41](#)).

Remove the WLAN module:

1. Carefully disconnect the WLAN antenna cables (**1**) from the WLAN module.

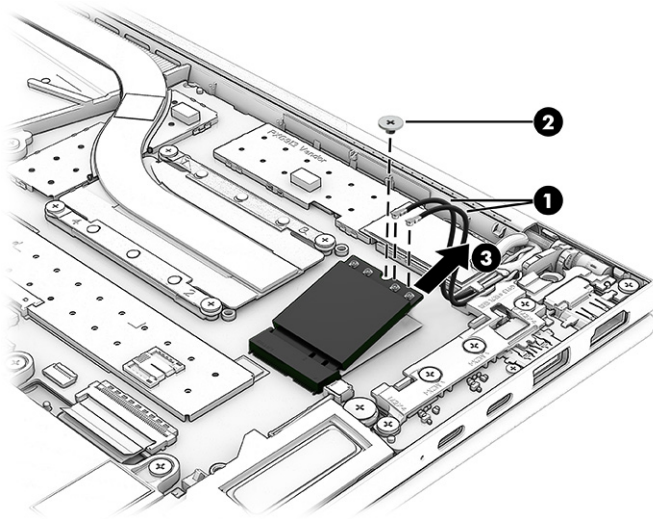


NOTE: Computer models have either one or two WLAN antennas. On models with two antennas, the #1 white WLAN antenna cable connects to the WLAN module #1 Main terminal. The #2 black WLAN antenna cable connects to the WLAN module #1 Aux terminal.

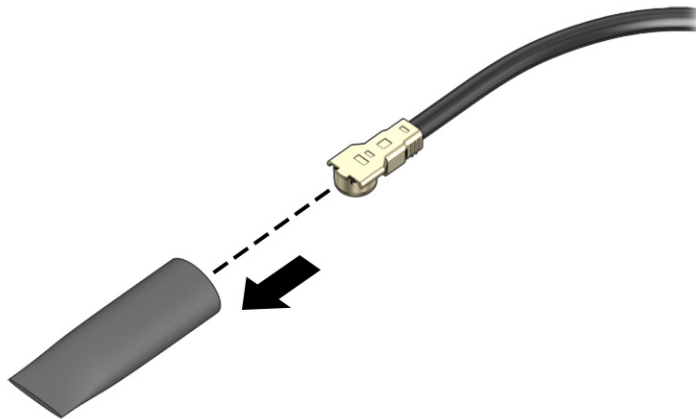
2. Remove the Phillips M2.0 × 2.5 screw (**2**) that secures the WLAN module to the system board.

3. Remove the WLAN module (3) by pulling it away from the socket at an angle.

Inspect any thermal pads and if a thermal pad is torn, missing part of the pad, or dirty, replace the thermal pad.



4. If the WLAN antenna is not connected to the terminal on the WLAN module, install a protective sleeve on the antenna connector, as shown in the following illustration.



To install the WLAN module, reverse the removal procedure.

Speakers

To remove the speakers, use this procedure and illustration.

Table 5-6 Speakers description and part number

Description	Spare part number
Speakers (include cables, left and right speakers, and 4 rubber isolators)	N08534-001

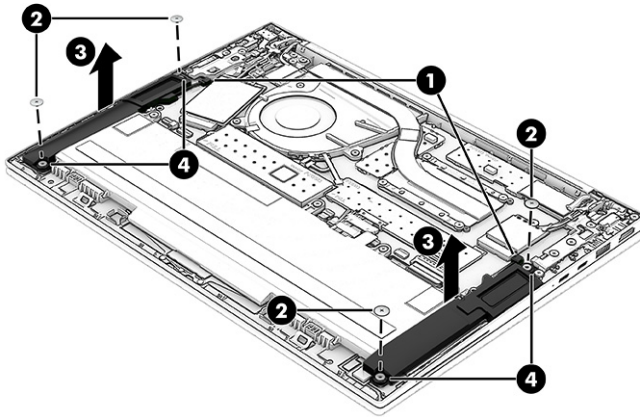
Before removing the speakers, follow these steps:

1. Prepare the computer for disassembly (see [Preparation for disassembly on page 39](#)).
2. Remove the bottom cover (see [Bottom cover on page 39](#)).
3. Disconnect the battery cable from the system board (see [Battery on page 41](#)).

Remove the speakers:

1. Disconnect the speaker cables **(1)** from the system board.
2. Remove the four Phillips M2.0 × 2.5 broad head screws **(2)** that secure the speakers to the computer.
3. Remove the speakers **(3)** from the computer.

When removing the speakers, make note of the location of the four rubber isolator locations **(4)**. The absence of or damage to these isolators can result in degraded speaker performance.



To install the speakers, reverse the removal procedure.

Audio jack cable

To remove the audio jack cable, use this procedure and illustration.



NOTE: The audio jack cable is included in the Cable Kit, spare part number N17332-001.

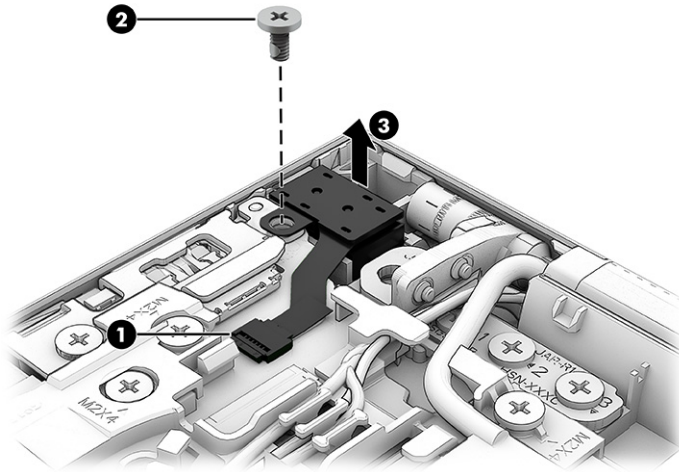
Before removing the audio jack cable, follow these steps:

1. Prepare the computer for disassembly (see [Preparation for disassembly on page 39](#)).
2. Remove the bottom cover (see [Bottom cover on page 39](#)).
3. Disconnect the battery cable from the system board (see [Battery on page 41](#)).

Remove the audio jack cable:

1. Release the zero insertion force (ZIF) connector **(1)** the audio jack cable is connected to, and then disconnect the cable from the system board.
2. Remove the Phillips M2.0 × 4.7 screw **(2)** that secures the audio jack to the computer.

3. Remove the audio jack cable **(3)** from the computer.



To install the audio jack cable, reverse the removal procedure.

Fan

To remove the fan, use this procedure and illustration.

Table 5-7 Fan description and part number

Description	Spare part number
Fan (includes captive screws and cable)	N08535-001

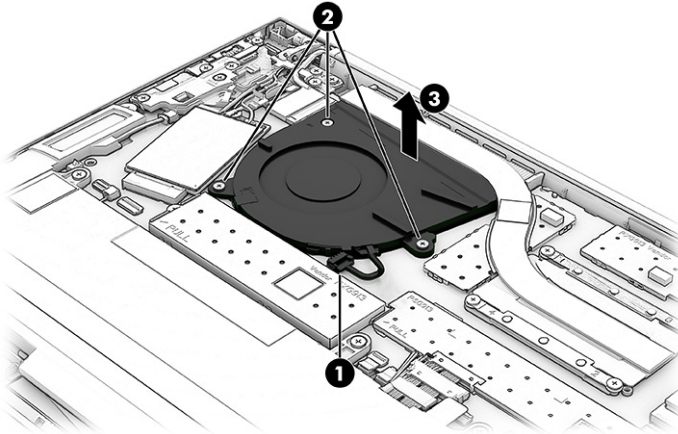
Before removing the fan, follow these steps:

1. Prepare the computer for disassembly (see [Preparation for disassembly on page 39](#)).
2. Remove the bottom cover (see [Bottom cover on page 39](#)).
3. Disconnect the battery cable from the system board (see [Battery on page 41](#)).

Remove the fan:

1. Disconnect the fan cable **(1)** from the system board.
2. Loosen the three captive Phillips screws **(2)** that secure the fan to the computer.

3. Remove the fan **(3)** from the computer.



To install the fan, reverse the removal procedure.

Display assembly

To remove and disassemble the display assembly, use these procedures and illustrations.

Before removing the display assembly, follow these steps:

1. Prepare the computer for disassembly (see [Preparation for disassembly on page 39](#)).
2. Remove the bottom cover (see [Bottom cover on page 39](#)).
3. Disconnect the battery cable from the system board (see [Battery on page 41](#)).

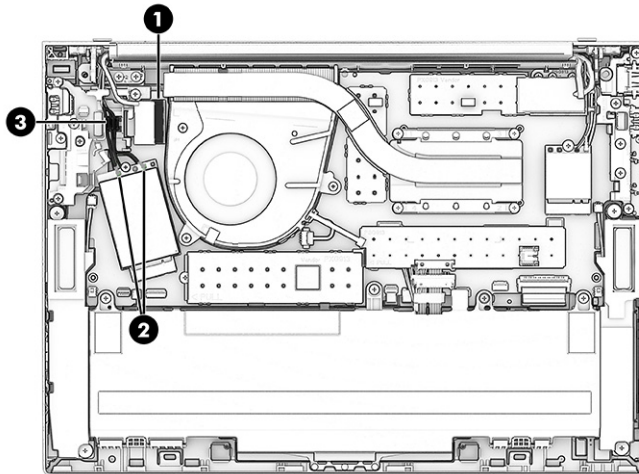
Remove the display assembly:

1. Disconnect the webcam module cable **(1)** from the system board.
2. Carefully disconnect the WWAN module antenna cables **(2)** from the WWAN module.



NOTE: Computer models have up to four WWAN module antenna cables. The antenna cables have tags that identify them with a number that corresponds to a terminal on the WWAN module. Connect the antenna cable to the corresponding WWAN module terminal.

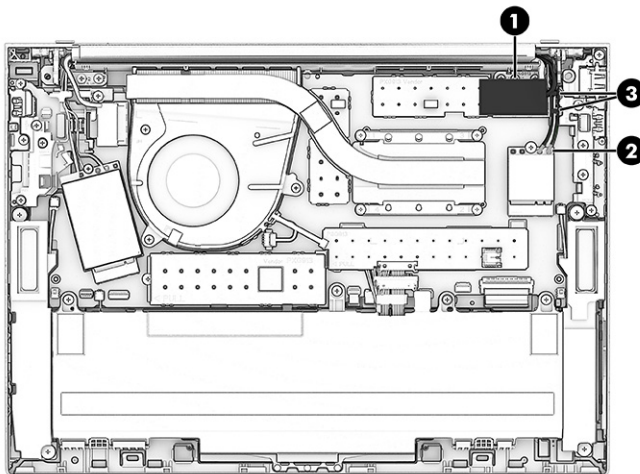
3. Release the WWAN module antenna cables and the webcam module cable from the retention clips **(3)** that are built into the cable retainer.



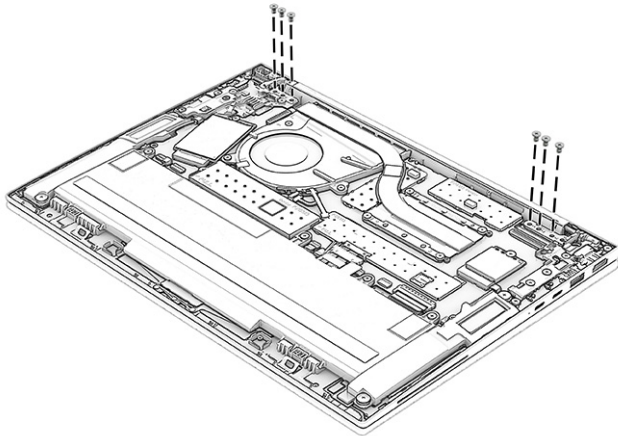
4. Disconnect the display panel cable **(1)** from the system board.
5. Carefully disconnect the WLAN module antenna cables **(2)** from the WLAN module.

Computer models have either one or two WLAN module antenna cables. On models with two antenna cables, the #1 white WLAN module antenna cable connects to the WLAN module #1 Main terminal. The #2 black WLAN module antenna cable connects to the WLAN module #1 Aux terminal.

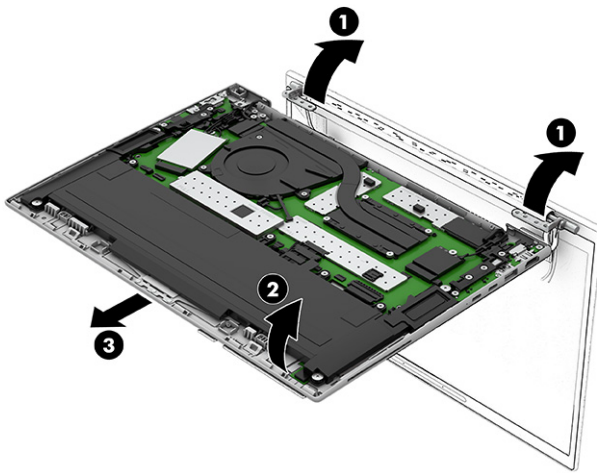
6. Release the display panel cable and the WLAN module antenna cables from the retention clips **(3)** that are built into the cable retainer.



7. Remove the six Phillips M2.5 × 4.7 screws that secure the display assembly to the computer.



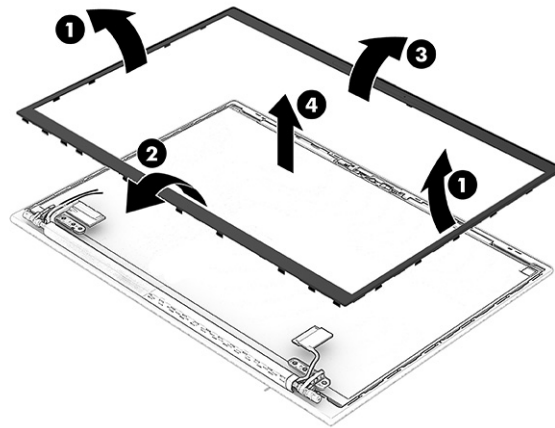
8. Swing the display hinges (1) up and back as far as they will go.
9. Open the display assembly (2) to a 90-degree angle.
10. Separate the computer (3) from the display assembly.



11. To remove the display bezel or any of the internal display components, follow these steps.
 - a. Remove the display assembly.
 - b. Flex the left (1) and right inside edges of the bezel to release them from the display assembly.
 - c. Flex the bottom (2) inside edge of the bezel to release it from the display assembly.
 - d. Flex the top (3) inside edge of the bezel to release it from the display assembly.
 - e. Remove the bezel (4).

The display bezel is available using the following spare part numbers:

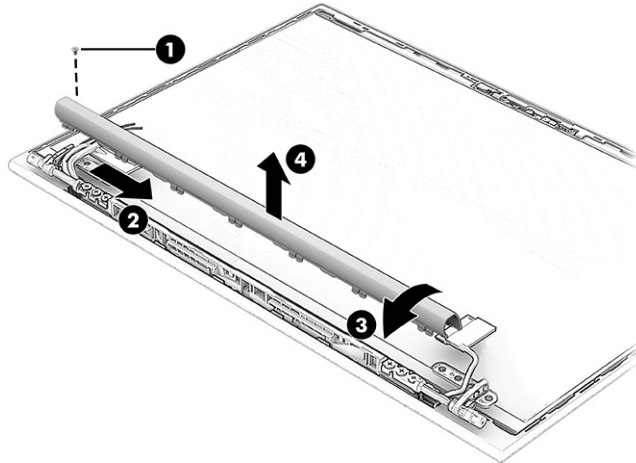
- N08523-001: For use on computer models equipped with a display panel with an infrared webcam and ACS
- N08526-001: For use on computer models equipped with a display panel with an infrared webcam
- N08524-001: For use on computer models equipped with a display panel with an RGB webcam and ACS
- N008527-001: For use on computer models equipped with a display panel with an RGB webcam
- N008525-001: For use on computer models equipped with a microphone



12. To remove the hinge cover:

- Remove the display assembly.
- Remove the display bezel.
- Remove the Phillips M1.3 × 2.5 screw **(1)** that secures the hinge cover to the display back cover.
- Slide the hinge cover **(2)** to the right as far as it will go.
- Swing the top edge of the hinge cover **(3)** up and forward, and then remove it **(4)** from the display back cover.

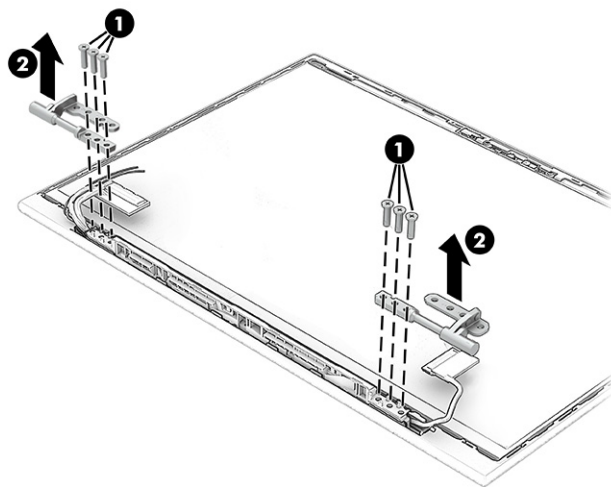
The hinge cover is included in the Display Hinge Kit, spare part number N49523-001.



13. To remove the hinges:

- a. Remove the display assembly.
- b. Remove the display bezel.
- c. Remove the hinge cover.
- d. Remove the six Phillips M2.5 × 9.5 screws **(1)** that secure the hinges to the display back cover.
- e. Remove the hinges **(2)**.

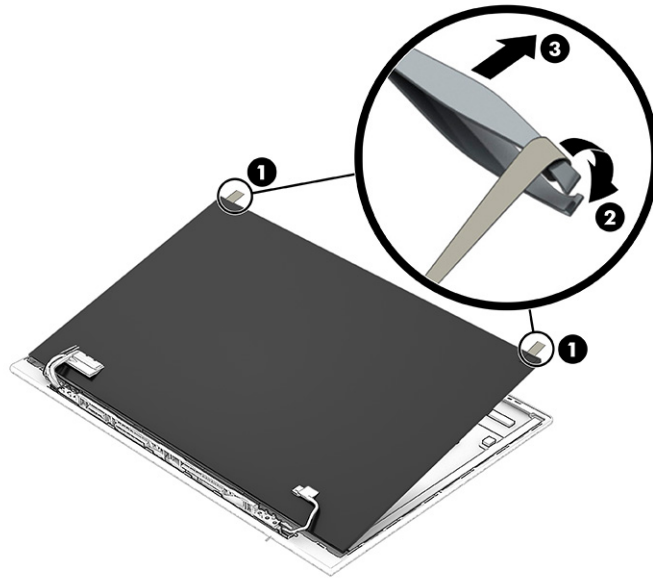
The hinges are available using spare part number N49523-001.



14. To remove the display panel:

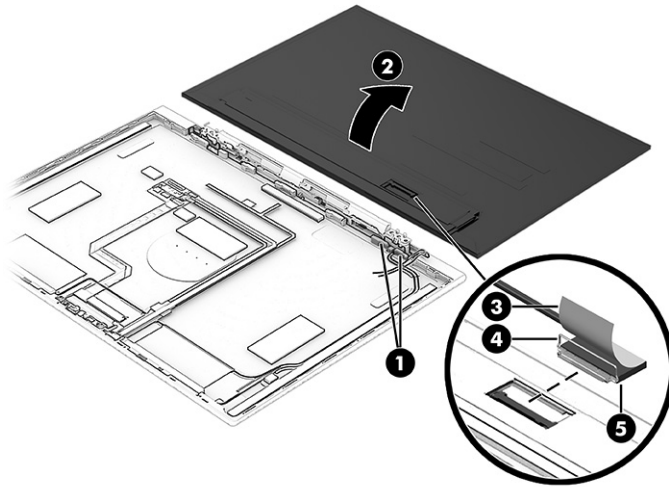
- a. Remove the display assembly.
- b. Remove the display bezel.
- c. Remove the hinge cover.

- d. Remove the hinges.
- e. The display panel is secured to the display back cover with tape that is installed under the left **(1)** and right sides of the panel. To remove the panel, use tweezers to grasp the end of the tape **(2)**. While turning the tweezers, wrap the tape around the tweezers as you continue to pull the tape out **(3)** from behind the display panel. You must pull the tape multiple times before it is completely removed.



- f. Release the display panel cable from the retention clips **(1)** built into the bottom edge of the display back cover.
- g. Swing the top edge of the display panel **(2)** up and forward until it rests upside down in front of the display assembly.
- h. Release the adhesive support strip **(3)** that secures the display panel cable to the back of the display panel.
- i. Release the retention bar **(4)** that secures the display panel cable to the back of the display panel.

- j. Disconnect the display panel cable (5) from the display panel.



- k. Remove the display panel.

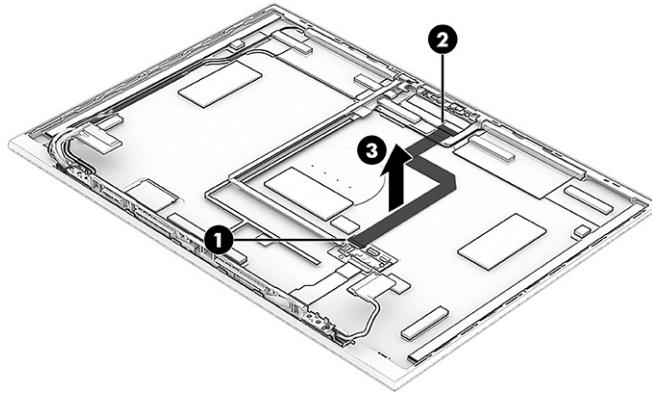
The display panel is available using the following spare part numbers:

- N14758-001: 33.8 cm (13.3 in), LCD, WUXGA (1920 × 1200), antiglare, UWVA, TOP display panel; typical brightness: 250 nits
- N14759-001: 33.8 cm (13.3 in), LCD, WUXGA (1920 × 1200), antiglare, UWVA, non-TOP display panel; typical brightness: 1000 nits
- N58152-001: 33.8 cm (13.3 in), LCD, WUXGA (1920 × 1200), antiglare, UWVA locked, non-TOP display panel; typical brightness: 400 nits
- N14756-001: 33.8 cm (13.3 in), LCD, WUXGA (1920 × 1200), antiglare, UWVA, non-TOP display panel; typical brightness: 400 nits
- N14757-001: 33.8 cm (13.3 in), LCD, WUXGA (1920 × 1200), antiglare, UWVA, non-TOP display panel; typical brightness: 250 nits

15. To remove the webcam module cable:

- Remove the display assembly.
- Remove the display bezel.
- Remove the hinge cover.
- Remove the hinges.
- Remove the display panel.
- Release the ZIF connector (1) the webcam module cable is connected to, and then disconnect the webcam module cable from the hub board.
- Release the ZIF connector (2) the webcam module cable is connected to, and then disconnect the webcam module cable from the webcam module.

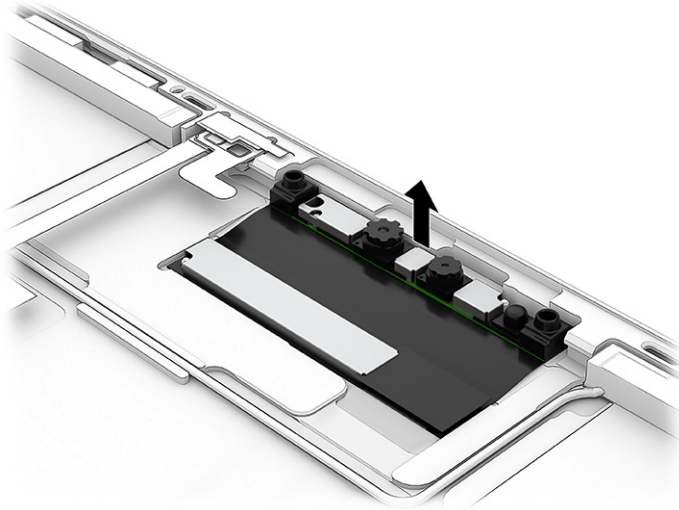
- h.** Detach the webcam module cable **(3)** from the display assembly. The webcam module cable is attached to the display assembly with double-sided adhesive.



- i.** Remove the webcam module cable.
The webcam module cable is included in the Display Cable Kit, spare part number N08538-001.

- 16.** To remove the webcam module:
 - a.** Remove the display assembly.
 - b.** Remove the display bezel.
 - c.** Remove the hinge cover.
 - d.** Remove the hinges.
 - e.** Remove the display panel.
 - f.** Remove the webcam module cable.

- g.** Detach the webcam module from the display assembly. The webcam module is attached to the display assembly with double-sided adhesive.



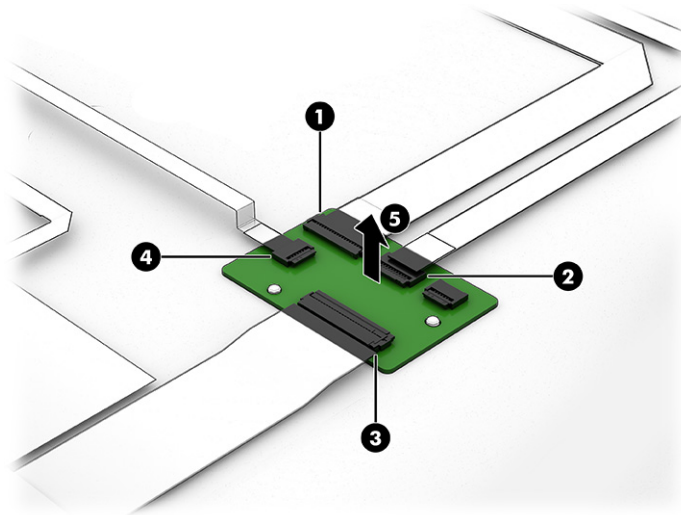
- h.** Remove the webcam module.

The webcam module is available using spare part numbers N48854-001 (for use on computer models equipped with an infrared webcam module) and N48855-001 (for use on computer models equipped with an RGB webcam module).

17. To remove the hub board:

- a.** Remove the display assembly.
- b.** Remove the display bezel.
- c.** Remove the hinge cover.
- d.** Remove the hinges.
- e.** Remove the display panel.
- f.** Release the ZIF connector **(1)** the webcam module cable is connected to, and then disconnect the webcam module cable from the hub board.
- g.** Release the ZIF connector **(2)** the ALS sensor board cable is connected to, and then disconnect the ALS sensor board cable from the hub board.
- h.** Release the ZIF connector **(3)** the hub board cable is connected to, and then disconnect the hub board cable from the hub board.
- i.** Release the ZIF connector **(4)** the microphone module cable is connected to, and then disconnect the microphone cable from the hub board.

- j. Detach the hub board **(5)** from the display assembly. The hub board is attached to the display assembly with double-sided adhesive.



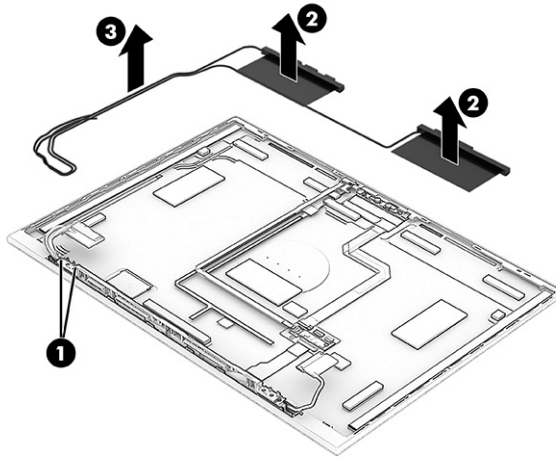
- k. Remove the hub board.

The hub board is available using spare part numbers N55309-001 (for use on computer models equipped with an infrared webcam camera) and N55308-001 (for use on computer models equipped with an RGB webcam camera).

18. To remove the WLAN antennas:

- a. Remove the display assembly.
- b. Remove the display bezel.
- c. Remove the hinge cover.
- d. Remove the hinges.
- e. Remove the display panel.
- f. Remove the webcam module cable.
- g. Remove the webcam module.
- h. Release the WLAN antenna cables from the routing channels **(1)** that are built into the display back cover.
- i. Detach the WLAN antenna transceivers **(2)** from the display back cover. The WLAN antenna transceivers are attached to the display back cover with double-sided adhesive.
- j. Remove the WLAN antennas **(3)**.

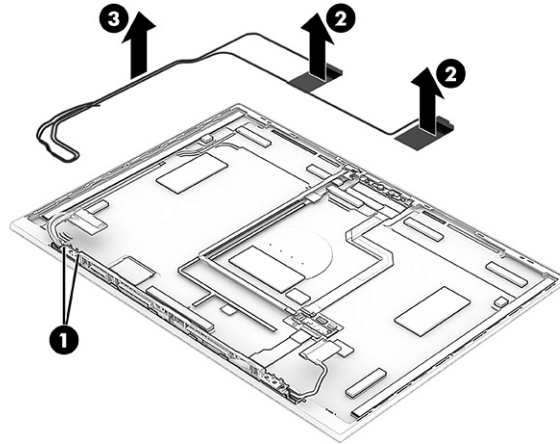
The WLAN antennas are included in the Display Antenna Kit, spare part number N16105-001.



19. To remove the WWAN antennas:

- a. Remove the display assembly.
- b. Remove the display bezel.
- c. Remove the hinge cover.
- d. Remove the hinges.
- e. Remove the display panel.
- f. Remove the webcam module cable.
- g. Remove the webcam module.
- h. Release the WWAN antenna cables from the routing channels **(1)** that are built into the display back cover.
- i. Detach the WWAN antenna transceivers **(2)** from the display back cover. The WWAN antenna transceivers are attached to the display back cover with double-sided adhesive.
- j. Remove the WWAN antennas **(3)**.

The WWAN antennas are included in the Display Antenna Kit, spare part number N16105-001.



To reassemble and replace the display assembly, reverse the removal procedure.

RTC battery

To remove the RTC battery, use this procedure and illustration.

Table 5-8 RTC battery description and part number

Description	Spare part number
RTC battery (includes cable and double-sided adhesive)	N15765-001

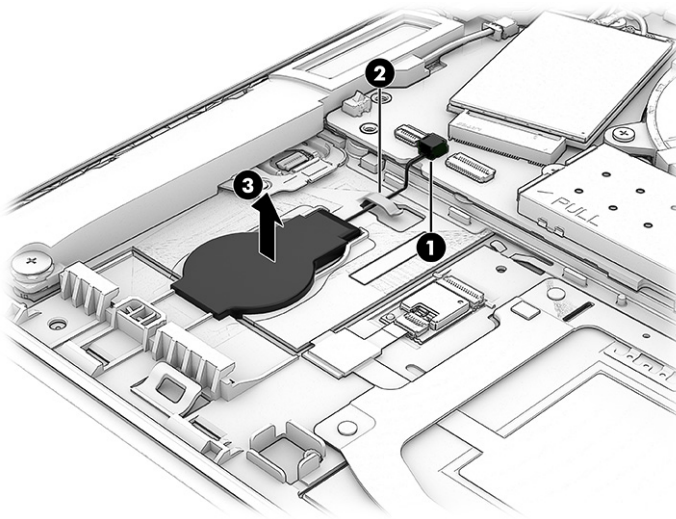
Before removing the RTC battery, follow these steps:

1. Prepare the computer for disassembly (see [Preparation for disassembly on page 39](#)).
2. Remove the bottom cover (see [Bottom cover on page 39](#)).
3. Disconnect the battery cable from the system board (see [Battery on page 41](#)).

Remove the RTC battery:

1. Disconnect the RTC battery cable **(1)** from the system board.
2. Release the RTC battery cable **(2)** from the retention clip that is built into the computer.

3. Detach the RTC battery **(3)** from the computer. The RTC battery is attached to the computer with double-sided adhesive.




4. Remove the RTC battery.

To install the RTC battery, reverse the removal procedure.

NFC module cable

To remove the NFC module cable, use this procedure and illustration.

 **NOTE:** The NFC module cable is included in the Cable Kit, spare part number N17332-001.

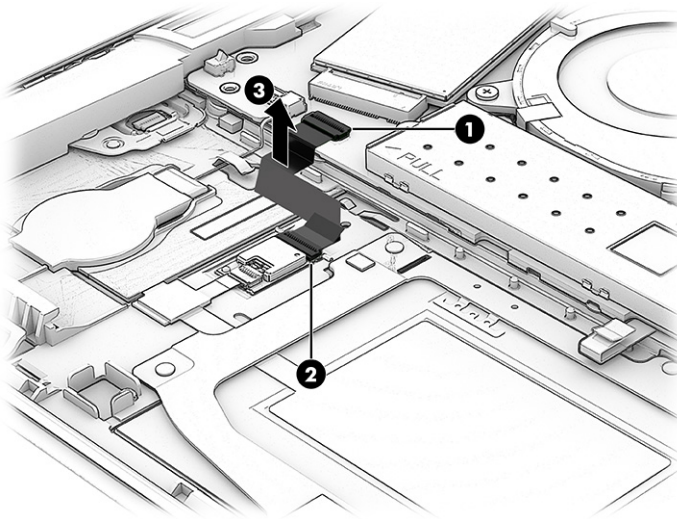
Before removing the NFC module cable, follow these steps:

1. Prepare the computer for disassembly (see [Preparation for disassembly on page 39](#)).
2. Remove the bottom cover (see [Bottom cover on page 39](#)).
3. Remove the battery (see [Battery on page 41](#)).

Remove the NFC module cable:

1. Release the ZIF connector **(1)** the NFC module cable is connected to, and then disconnect the NFC module cable from the system board.
2. Release the ZIF connector **(2)** the NFC module cable is connected to, and then disconnect the NFC module cable from the NFC module.

3. Detach the NFC module cable (3) from the computer. The NFC module cable is attached to the computer with double-sided adhesive.




4. Remove the NFC module cable.

To install the NFC module cable, reverse the removal procedure.

NFC module antenna

To remove the NFC module antenna, use this procedure and illustration.

 **NOTE:** The NFC module antenna is included in the Antenna Kit, spare part number N16105-001.

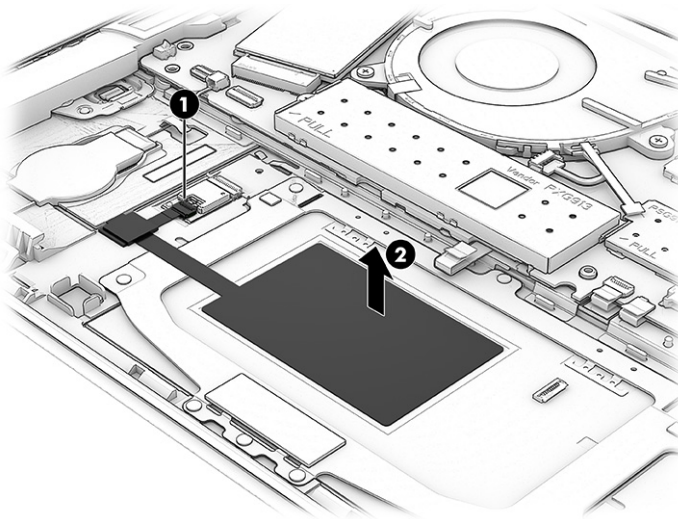
Before removing the NFC module antenna, follow these steps:

1. Prepare the computer for disassembly (see [Preparation for disassembly on page 39](#)).
2. Remove the bottom cover (see [Bottom cover on page 39](#)).
3. Remove the battery (see [Battery on page 41](#)).

Remove the NFC module antenna:

1. Release the ZIF connector (1) the NFC module antenna is connected to, and then disconnect the NFC module antenna from the NFC module.

2. Detach the NFC module antenna (2) from the computer. The NFC module antenna is attached to the computer with double-sided adhesive.



3. Remove the NFC module antenna.

To install the NFC module antenna, reverse the removal procedure.

NFC module

To remove the NFC module, use this procedure and illustration.

Table 5-9 NFC module description and part number

Description	Spare part number
NFC module	M08706-001
NOTE: The NFC module spare part kit does not include the NFC module antenna or the NFC module cable. The NFC module antenna is included in the Antenna Kit, spare part number N16105-001. The NFC module cable is included in the Cable Kit, spare part number N17332-001.	
NFC module antenna: The NFC module antenna is included in the Antenna Kit, spare part number N16105-001	
NFC module cable: The NFC module cable is included in the Cable Kit, spare part number N17332-001.	

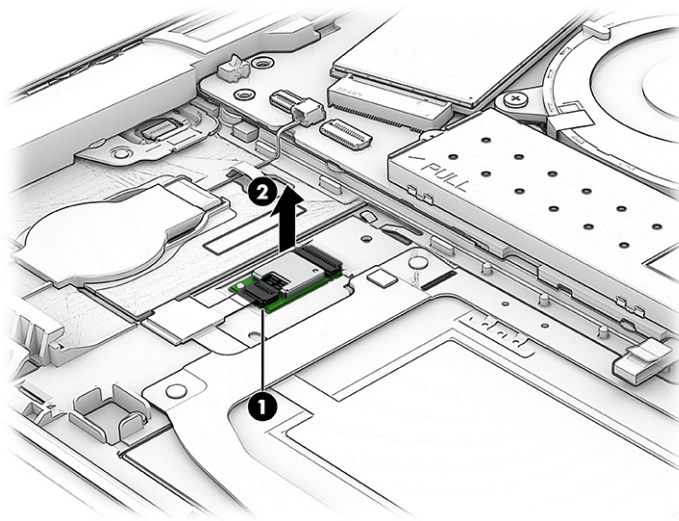
Before removing the NFC module, follow these steps:

1. Prepare the computer for disassembly (see [Preparation for disassembly on page 39](#)).
2. Remove the bottom cover (see [Bottom cover on page 39](#)).
3. Remove the battery (see [Battery on page 41](#)).
4. Remove the NFC module cable (see [NFC module cable on page 62](#)).

Remove the NFC module:

1. Release the ZIF connector (1) the NFC module antenna cable is connected to, and then disconnect the NFC module antenna cable from the NFC module.

2. Detach the NFC module **(2)** from the computer. The NFC module is attached to the computer with double-sided adhesive.




3. Remove the NFC module.

To install the NFC module, reverse the removal procedure.

Touchpad cable

To remove the touchpad cable, use this procedure and illustration.

 **NOTE:** The touchpad cable is included in the Cable Kit, spare part number N17332-001.

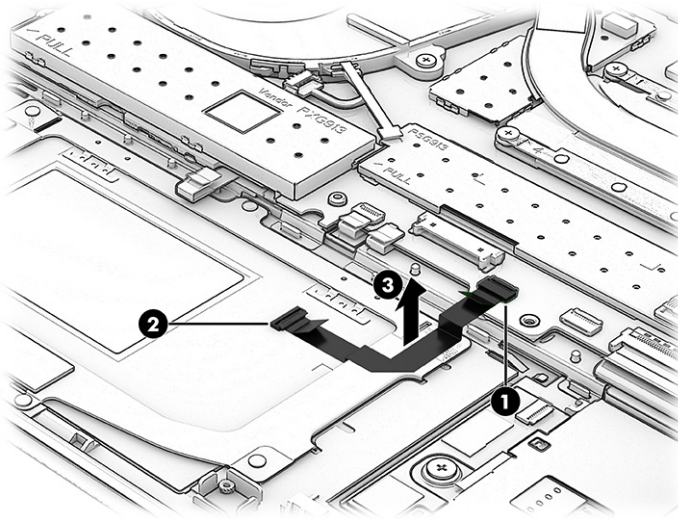
Before removing the touchpad cable, follow these steps:

1. Prepare the computer for disassembly (see [Preparation for disassembly on page 39](#)).
2. Remove the bottom cover (see [Bottom cover on page 39](#)).
3. Remove the battery (see [Battery on page 41](#)).

Remove the touchpad cable:

1. Release the ZIF connector **(1)** the touchpad cable is connected to, and then disconnect the touchpad cable from the system board.
2. Release the ZIF connector **(2)** the touchpad cable is connected to, and then disconnect the touchpad cable from the touchpad.

- Detach the touchpad cable (3) from the computer. The touchpad cable is attached to the computer with double-sided adhesive.



- Remove the touchpad cable.

To install the touchpad cable, reverse the removal procedure.

Touchpad

To remove the touchpad, use this procedure and illustration.

Table 5-10 Touchpad descriptions and part numbers

Description	Spare part number
Touchpad:	
NOTE: The touchpad spare part kit does not include the touchpad cable. The touchpad cable is available using spare part number N17332-001	
With NFC module antenna	N15468-001
Without NFC module antenna	N08533-001

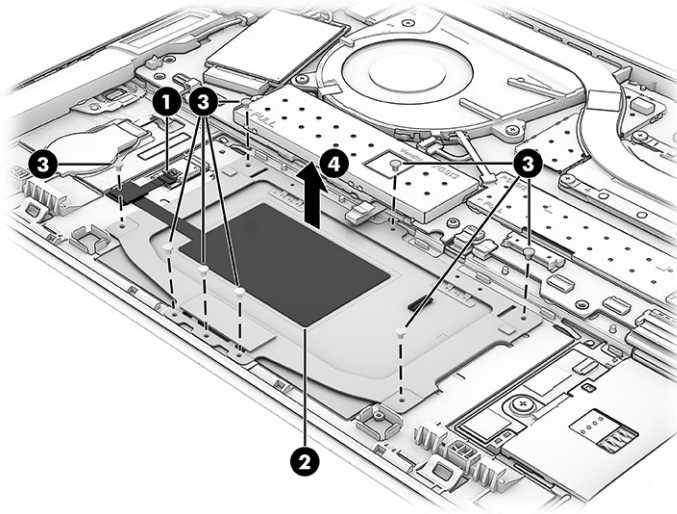
Before removing the touchpad, follow these steps:

- Prepare the computer for disassembly (see [Preparation for disassembly on page 39](#)).
- Remove the bottom cover (see [Bottom cover on page 39](#)).
- Remove the battery (see [Battery on page 41](#)).
- Remove the touchpad cable (see [Touchpad cable on page 65](#)).

Remove the touchpad:

- Release the ZIF connector (1) the NFC module antenna cable is connected to, and then disconnect the NFC module antenna cable from the NFC module.
- Detach the NFC module antenna (2) from the computer. The NFC module antenna is attached to the computer with double-sided adhesive.

3. Remove the eight Phillips M1.5 × 2.2 screws (3) that secure the touchpad to the computer.
4. Remove the touchpad (4) from the computer.



To install the touchpad, reverse the removal procedure.

Fingerprint reader

To remove the fingerprint reader, use this procedure and illustration.

Table 5-11 Fingerprint reader description and part number

Description	Spare part number
Fingerprint reader	N02325-001

NOTE: The fingerprint reader spare part kit does not include the fingerprint reader bracket or the fingerprint reader cable. The fingerprint reader bracket is included in the Bracket Kit, spare part number N61102-001. The fingerprint reader cable is included in the Cable Kit, spare part number N17332-001.

Before removing the fingerprint reader, follow these steps:

1. Prepare the computer for disassembly (see [Preparation for disassembly on page 39](#)).
2. Remove the bottom cover (see [Bottom cover on page 39](#)).
3. Remove the battery (see [Battery on page 41](#)).
4. Remove the right speaker (see [Speakers on page 47](#)).

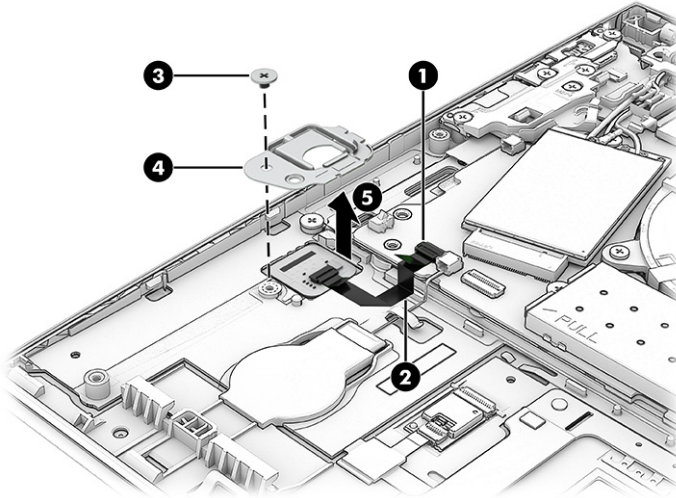
Remove the fingerprint reader:

1. Release the ZIF connector (1) the fingerprint reader cable is connected to, and then disconnect the fingerprint reader cable from the system board.
2. Detach the fingerprint reader cable (2) from the computer. The fingerprint reader cable is attached to the computer with double-sided adhesive.
3. Remove the Phillips M2.0 × 2.5 broad head screw (3) that secures the fingerprint reader and bracket to the computer.

4. Remove the fingerprint reader bracket (4).

The fingerprint reader bracket is included in the Bracket Kit, spare part number N13682-001.

5. Remove the fingerprint reader (5) and cable.



To install the fingerprint reader, reverse the removal procedure.

Fingerprint reader cable

To remove the fingerprint reader cable, use this procedure and illustration.



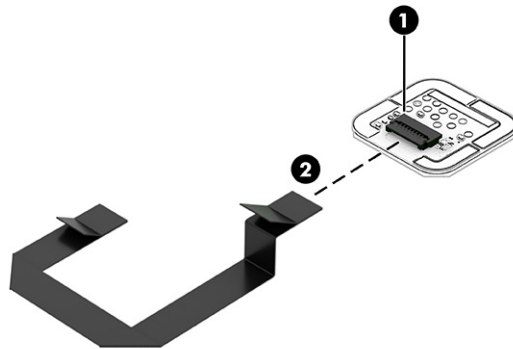
NOTE: The fingerprint reader cable is included in the Cable Kit, spare part number N17332-001.

Before removing the fingerprint reader cable, follow these steps:

1. Prepare the computer for disassembly (see [Preparation for disassembly on page 39](#)).
2. Remove the bottom cover (see [Bottom cover on page 39](#)).
3. Remove the battery (see [Battery on page 41](#)).
4. Remove the right speaker (see [Speakers on page 47](#)).
5. Remove the fingerprint reader (see [Fingerprint reader on page 67](#)).

Remove the fingerprint reader cable:

- Release the ZIF connector **(1)** the fingerprint reader cable is connected to, and then disconnect the fingerprint reader cable **(2)** from the fingerprint reader.



To install the fingerprint reader cable, reverse the removal procedure.

Card reader cable

To remove the card reader cable, use this procedure and illustration.



NOTE: The card reader cable is included in the Cable Kit, spare part number N17322-001.

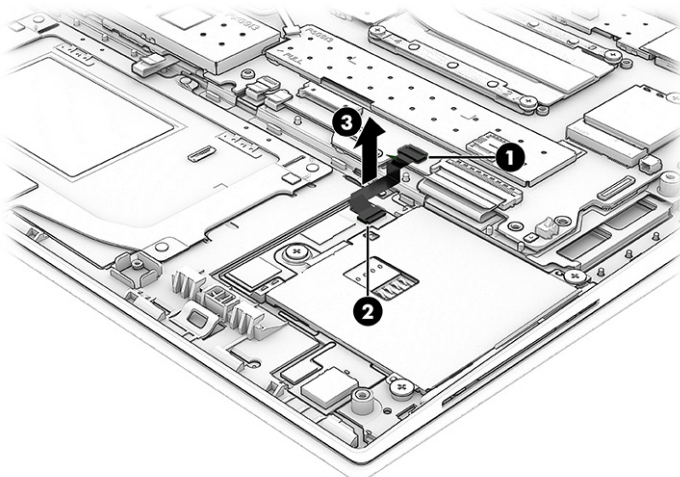
Before removing the card reader cable, follow these steps:

1. Prepare the computer for disassembly (see [Preparation for disassembly on page 39](#)).
2. Remove the bottom cover (see [Bottom cover on page 39](#)).
3. Remove the battery (see [Battery on page 41](#)).
4. Remove the left speaker (see [Speakers on page 47](#)).

Remove the card reader cable:

1. Release the ZIF connector **(1)** the card reader cable is connected to, and then disconnect the card reader cable from the system board.
2. Release the ZIF connector **(2)** the card reader cable is connected to, and then disconnect the card reader cable from the card reader.

3. Remove the card reader cable (3) from the computer.



To install the card reader cable, reverse the removal procedure.

Card reader

To remove the card reader, use this procedure and illustration.

Table 5-12 Card reader description and part number

Description	Spare part number
Card reader	N02323-001

NOTE: The card reader spare part kit does not include the card reader cable. The card reader cable is included in the Cable Kit, spare part number N17332-001.

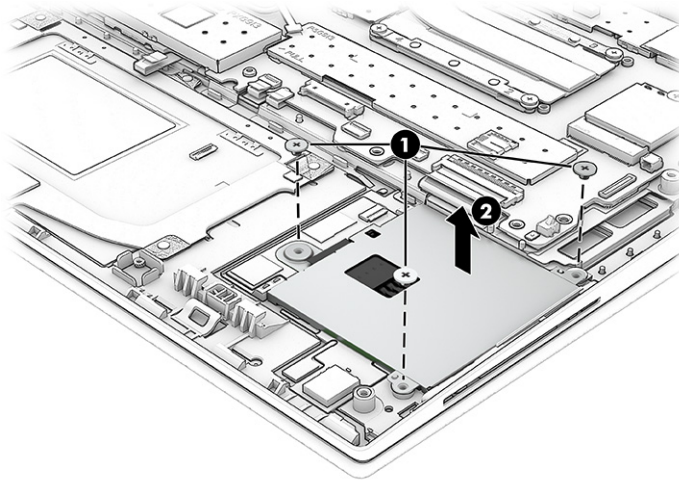
Before removing the card reader, follow these steps:

1. Prepare the computer for disassembly (see [Preparation for disassembly on page 39](#)).
2. Remove the bottom cover (see [Bottom cover on page 39](#)).
3. Remove the battery (see [Battery on page 41](#)).
4. Remove the left speaker (see [Speakers on page 47](#)).
5. Remove the card reader cable (see [Card reader cable on page 69](#)).

Remove the card reader:

1. Remove the three Phillips M2.0 × 2.5 broad head screws (1) that secure the card reader to the computer.

2. Remove the card reader (2) from the computer.



To install the card reader, reverse the removal procedure.

System board

To remove the system board, use these procedures and illustrations.

Table 5-13 System board descriptions and part numbers

Description	Spare part number
The system board spare part kit includes an integrated processor and replacement thermal material.	
NOTE: Replacement thermal pads are also available in the Miscellaneous Kit, spare part number N14782-001.	
Equipped with an AMD Ryzen7 7840U processor, 16 GB of on-board system memory, and the Windows 11 operating system	N50862-601
Equipped with an AMD Ryzen7 7840U processor, 16 GB of on-board system memory, and a non-Windows operating system	N50862-001
Equipped with an AMD Ryzen5 PRO 7540U processor, 32 GB of on-board system memory, and the Windows 11 operating system	N50861-601
Equipped with an AMD Ryzen5 PRO 7540U processor, 32 GB of on-board system memory, and a non-Windows operating system	N50861-001
Equipped with an AMD Ryzen5 PRO 7540U processor, 16 GB of on-board system memory, OSR, and the Windows 11 operating system	N50860-601
Equipped with an AMD Ryzen5 PRO 7540U processor, 16 GB of on-board system memory, and OSR	N50860-001
Equipped with an AMD Ryzen5 PRO 7540U processor, 16 GB of on-board system memory, and the Windows 11 operating system	N50859-601
Equipped with an AMD Ryzen5 PRO 7540U processor, 16 GB of on-board system memory, and a non-Windows operating system	N50859-001
Equipped with an AMD Ryzen5 PRO 7540U processor, 8 GB of on-board system memory, and the Windows 11 operating system	N50858-601
Equipped with an AMD Ryzen5 PRO 7540U processor, 8 GB of on-board system memory, and a non-Windows operating system	N50858-001

Table 5-13 System board descriptions and part numbers (continued)

Description	Spare part number
Equipped with an AMD Ryzen5 7540U processor, 32 GB of on-board system memory, and the Windows 11 operating system	N50857-601
Equipped with an AMD Ryzen5 7540U processor, 32 GB of on-board system memory, and a non-Windows operating system	N50857-001
Equipped with an AMD Ryzen5 7540U processor, 16 GB of on-board system memory, and the Windows 11 operating system	N50856-601
Equipped with an AMD Ryzen5 7540U processor, 16 GB of on-board system memory, and a non-Windows operating system	N50856-001
Equipped with an AMD Ryzen5 7540U processor, 8 GB of on-board system memory, and the Windows 11 operating system	N50855-601
Equipped with an AMD Ryzen5 7540U processor, 8 GB of on-board system memory, and a non-Windows operating system	N50855-001

Before removing the system board, follow these steps:

1. Prepare the computer for disassembly (see [Preparation for disassembly on page 39](#)).
2. Remove the bottom cover (see [Bottom cover on page 39](#)).
3. Remove the battery (see [Battery on page 41](#)).
4. Remove the fan (see [Fan on page 49](#)).

When you replace the system board, be sure to remove the following components from the defective system board and install them on the replacement system board:

- WWAN module (see [WWAN module on page 42](#)).
- Solid-state drive (see [Solid-state drive on page 44](#)).
- WLAN module (see [WLAN module on page 46](#)).
- Heat sink (see [Heat sink on page 74](#)).


Remove the system board:

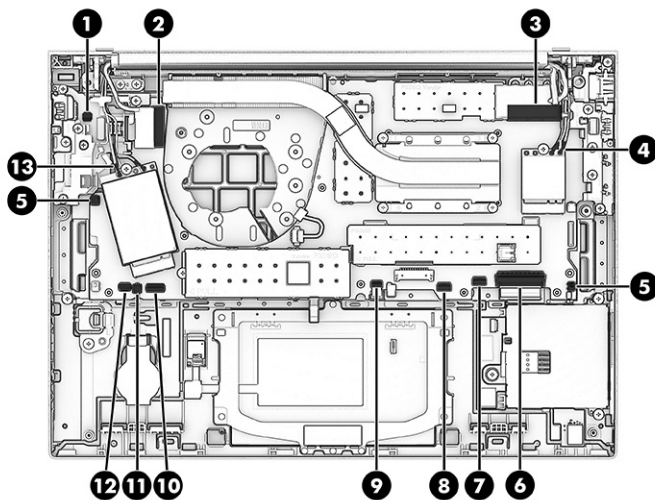
1. Release the ZIF connector **(1)** the audio jack cable is connected to, and then disconnect the audio jack cable from the system board.
2. Disconnect the webcam module cable **(2)** from the system board.
3. Disconnect the display panel cable **(3)** from the system board.
4. Carefully disconnect the WLAN module antenna cables **(4)** from the WLAN module.



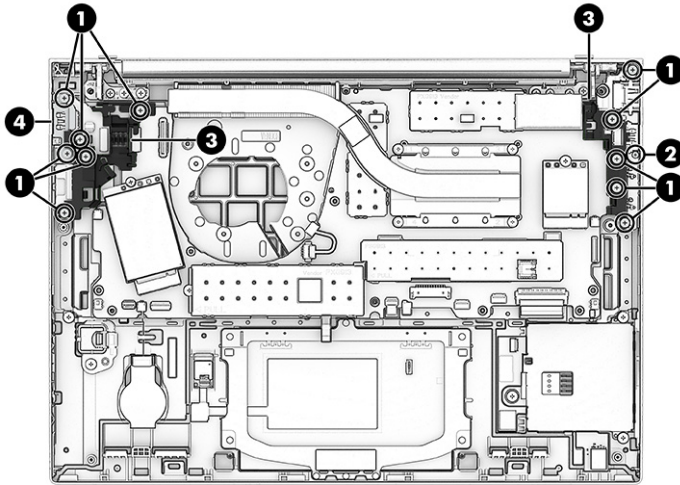
NOTE: Computer models have either one or two WLAN module antenna cables. On models with two antenna cables, the #1 white WLAN module antenna cable connects to the WLAN module #1 Main terminal. The #2 black WLAN module antenna cable connects to the WLAN module #1 Aux terminal.

5. Disconnect the following cables from the system board:
 - Speaker cables (two locations) **(5)**
 - Keyboard ZIF cable **(6)**
 - Card reader ZIF cable **(7)**
 - Touchpad ZIF cable **(8)**
 - Backlight ZIF cable **(9)**
 - NFC module ZIF cable **(10)**
 - RTC battery cable **(11)**
 - Fingerprint reader ZIF cable **(12)**
6. Carefully disconnect the WWAN module antenna cables **(13)** from the WWAN module.

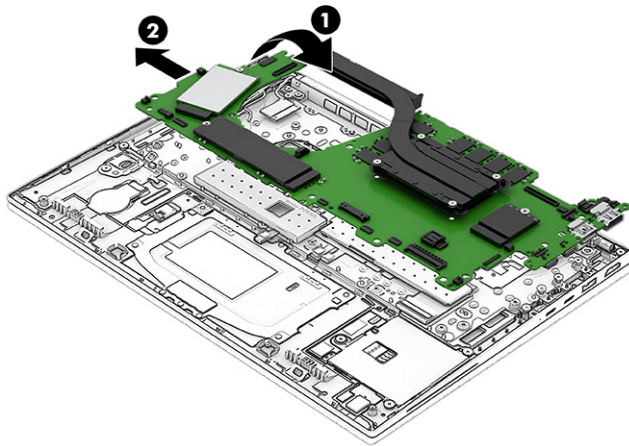
 **NOTE:** Computer models have up to four WWAN module antenna cables. The antenna cables have tags that identify them with a number that corresponds to a terminal on the WWAN module. Connect the antenna cable to the corresponding WWAN module terminal.



7. Remove the eleven Phillips M2.0 × 4.7 screws **(1)** and the Phillips M1.5 × 4.4 screw **(2)** that secure the system board to the computer
8. Remove the cable retainers **(3)**.
The cable retainers are included in the Plastics Kit, spare part number N08530-001.
9. Remove the I/O bracket **(4)**.
The I/O bracket is included in the Bracket Kit, spare part number N61102-001.



10. Lift the left side of the system board (1) until it rests at an angle.
11. Slide the system board (2) up and to the left at an angle to remove it.



To install the system board, reverse the removal procedure.

Heat sink

To remove the heat sink, use these procedures and illustrations.

Table 5-14 Heat sink descriptions and part numbers

Description	Spare part number
Heat sink (includes captive screws and replacement thermal material)	N07343-001

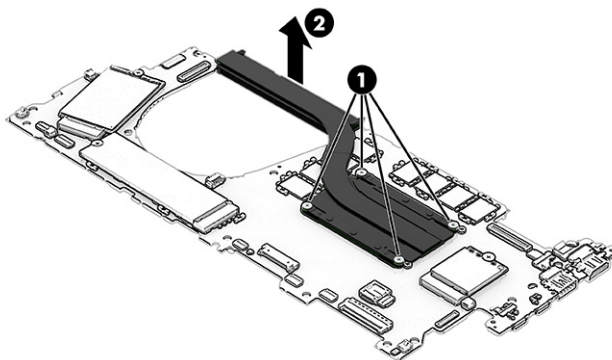
NOTE: Replacement thermal pads are also available in the Miscellaneous Kit, spare part number N14782-001.

Before removing the heat sink, follow these steps:

1. Prepare the computer for disassembly (see [Preparation for disassembly on page 39](#)).
2. Remove the bottom cover (see [Bottom cover on page 39](#)).
3. Remove the battery (see [Battery on page 41](#)).
4. Remove the fan (see [Fan on page 49](#)).
5. Remove the system board (see [System board on page 71](#)).

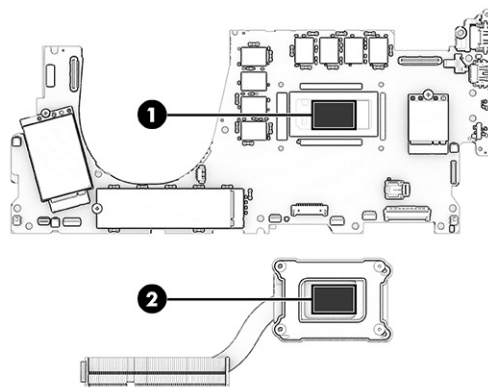
Remove the heat sink:

1. In the order indicated on the heat sink, loosen the four Phillips captive screws **(1)** that secure the heat sink to the system board.
2. Remove the heat sink **(2)** from the system board.



3. Inspect the thermal pad on the surfaces of the heat sink and the system board components each time the heat sink is removed. If the thermal pad is torn, missing part of the pad, or dirty, thoroughly clean the thermal pad from the surfaces of the heat sink and the system board. The following illustration shows the replacement thermal material locations.

Thermal paste is used on the system board processor **(1)** and on the heat sink area **(2)** that services it.



To install the heat sink, reverse the removal procedure.

Top cover with keyboard

The top cover with keyboard remains after removing all other spare parts from the computer. In this section, the first table provides the main spare part number for the top covers with keyboards. The second table provides the country codes.

Table 5-15

Description	Spare part number
Top cover with keyboard, spill resistant with backlight and privacy filter (includes backlight cable and keyboard cable)	N55307-xxx
Top cover with keyboard, spill resistant with backlight (includes backlight cable and keyboard cable)	N55306-xxx
Top cover with keyboard, spill resistant (includes keyboard cable)	N55305-xxx

Table 5-16 Spare part country codes


For use in country or region	Country code	For use in country or region	Country code	For use in country or region	Country code
Belgium	-A41	Israel	-BB1	Slovenia	-BA1
Brazil	-201	Italy	-061	South Korea	-AD1
Bulgaria	-261	Japan	-291	Spain	-071
The Czech Republic and Slovakia	-FL1	Kazakhstan	-DF1	Sweden and Finland	-B71
Denmark	-081	Latin America	-161	Switzerland	-BG1
Denmark, Finland, and Norway	-DH1	The Netherlands	-B31	Taiwan	-AB1
France	-051	North Africa	-FP1	Thailand	-281
French Canada	-DB1	Norway	-091	Turkey	-141
Germany	-041	Portugal	-131	Turkey F	-541
Greece	-151	Romania	-271	Ukraine	-BD1
Hungary	-211	Russia	-251	United Kingdom	-031
Iceland	-DD1	Saudi Arabia	-171	United States	-001
India	-D61				

6 Computer Setup (BIOS), TPM, and HP Sure Start

HP provides several tools to help set up and protect your computer.

Using Computer Setup

Computer Setup, or Basic Input/Output System (BIOS), controls communication between all the input and output devices on the system (such as hard drives, display, keyboard, mouse, and printer). Computer Setup includes settings for types of devices installed, the startup sequence of the computer, and amount of system and extended memory.

 **NOTE:** Use extreme care when making changes in Computer Setup. Errors can prevent the computer from operating properly.

To start Computer Setup, turn on or restart the computer, and when the HP logo appears, press **f10** to enter Computer Setup.


Navigating and selecting in Computer Setup

You can navigate and select in Computer Setup using one or more methods.


- To select a menu or a menu item, use the **tab** key and the keyboard arrow keys and then press **enter**, or use a pointing device to select the item.
- To scroll up and down, select the up arrow or the down arrow in the upper-right corner of the screen, or use the up arrow key or the down arrow key on the keyboard.
- To close open dialog boxes and return to the main Computer Setup screen, press **esc**, and then follow the on-screen instructions.

To exit Computer Setup, choose one of the following methods:

- To exit Computer Setup menus without saving your changes, select **Main**, select **Ignore Changes and Exit**, and then select **Yes**.

 **NOTE:** If you are using arrow keys to highlight your choice, you must then press **enter**.


- To save your changes and exit Computer Setup menus, select **Main**, select **Save Changes and Exit**, and then select **Yes**.

 **NOTE:** If you are using arrow keys to highlight your choice, you must then press **enter**.

Your changes go into effect when the computer restarts.


Restoring factory settings in Computer Setup

To return all settings in Computer Setup to the values that were set at the factory, follow these steps.


 **NOTE:** Restoring defaults will not change the hard drive mode.

1. Start Computer Setup. See [Using Computer Setup on page 77](#).
2. Select **Main**, select **Apply Factory Defaults and Exit**, and then select **Yes**.

 **NOTE:** If you are using arrow keys to highlight your choice, you must then press **enter**.

 **NOTE:** On select products, the selections might display **Restore Defaults** instead of **Apply Factory Defaults and Exit**.

Your changes go into effect when the computer restarts.

 **NOTE:** Your password settings and security settings are not changed when you restore the factory settings.

Updating the BIOS

Updated versions of the BIOS might be available on the HP website. Most BIOS updates on the HP website are packaged in compressed files called *SoftPaqs*.

Some download packages contain a file named *Readme.txt*, which contains information regarding installing and troubleshooting the file.

Determining the BIOS version

To decide whether you need to update Computer Setup (BIOS), first determine the BIOS version on your computer.

If you are already in Windows, you can access BIOS version information (also known as *ROM date* and *System BIOS*) by pressing **fn+esc** (select products only). Or you can use Computer Setup.


1. Start Computer Setup. See [Using Computer Setup on page 77](#).
2. Select **Main**, and then select **System Information**.
3. To exit Computer Setup menus without saving your changes, select **Main**, select **Ignore Changes and Exit**, and then select **Yes**.

 **NOTE:** If you are using arrow keys to highlight your choice, you must then press **enter**.

To check for later BIOS versions, see [Preparing for a BIOS update on page 78](#).

Preparing for a BIOS update

Be sure to follow all prerequisites before downloading and installing a BIOS update.

 **IMPORTANT:** To reduce the risk of damage to the computer or an unsuccessful installation, download and install a BIOS update only when the computer is connected to reliable external power using the AC adapter. Do not download or install a BIOS update while the computer is running on battery power, docked in an optional docking device, or connected to an optional power source. During the download and installation, follow these instructions:

Do not disconnect power on the computer by unplugging the power cord from the AC outlet.

Do not shut down the computer or initiate Sleep.

Do not insert, remove, connect, or disconnect any device, cable, or cord.

Downloading a BIOS update

After you review the prerequisites, you can check for and download BIOS updates.

1. Select the **Search** icon in the taskbar, type `support` in the search box, and then select the **HP Support Assistant** app.

- or -
Select the question mark icon (select products only) in the taskbar.
2. Select **Updates**, and then select **Check for updates and messages**.
3. Follow the on-screen instructions.
4. At the download area, follow these steps:
 - a. Identify the most recent BIOS update and compare it to the BIOS version currently installed on your computer. Make a note of the date, name, or other identifier. You might need this information to locate the update later, after it has been downloaded to your hard drive.
 - b. Follow the on-screen instructions to download your selection to the hard drive.

Make a note of the path to the location on your hard drive where the BIOS update is downloaded. You will need to access this path when you are ready to install the update.



NOTE: If you connect your computer to a network, consult the network administrator before installing any software updates, especially system BIOS updates.

Installing a BIOS update

BIOS installation procedures vary. Follow any instructions that are displayed on the screen after the download is complete. If no instructions are displayed, follow these steps.

1. Select the **Search** icon in the taskbar, type `file` in the search box, and then select **File Explorer**.
2. Select your hard drive designation. The hard drive designation is typically Local Disk (C:).
3. Using the hard drive path you recorded earlier, open the folder that contains the update.
4. Double-click the file that has an `.exe` extension (for example, `filename.exe`).

The BIOS installation begins.
5. Complete the installation by following the on-screen instructions.



NOTE: After a message on the screen reports a successful installation, you can delete the downloaded file from your hard drive.


Changing the boot order using the f9 prompt

To dynamically choose a boot device for the current startup sequence, follow these steps.

1. Access the Boot Device Options menu:
 - Turn on or restart the computer, and when the HP logo appears, press **f9** to enter the Boot Device Options menu.
2. Select a boot device, press **enter**, and then follow the on-screen instructions.

TPM BIOS settings (select products only)

TPM provides additional security for your computer. You can modify the TPM settings in Computer Setup (BIOS).

 **IMPORTANT:** Before enabling Trusted Platform Module (TPM) functionality on this system, you must ensure that your intended use of TPM complies with relevant local laws, regulations and policies, and approvals or licenses must be obtained if applicable. For any compliance issues arising from your operation or usage of TPM that violates the previously mentioned requirement, you shall bear all the liabilities wholly and solely. HP will not be responsible for any related liabilities.

 **NOTE:** If you change the TPM setting to Hidden, TPM is not visible in the operating system.

To access TPM settings in Computer Setup:

1. Start Computer Setup. See [Using Computer Setup on page 77](#).
2. Select **Security**, select **TPM Embedded Security**, and then follow the on-screen instructions.

Using HP Sure Start (select products only)


Select computer models are configured with HP Sure Start, a technology that monitors the computer's BIOS for attacks or corruption. If the BIOS becomes corrupted or is attacked, HP Sure Start automatically restores the BIOS to its previously safe state, without user intervention.


HP Sure Start is configured and already enabled so that most users can use the HP Sure Start default configuration. Advanced users can customize the default configuration.

To access the latest documentation on HP Sure Start, go to <http://www.hp.com/support>. Select **Find your product**, and then follow the on-screen instructions.

7 Backing up, restoring, and recovering

You can use Windows tools or HP software to back up your information, create a restore point, reset your computer, create recovery media, or restore your computer to its factory state. Performing these standard procedures can return your computer to a working state faster.

 **IMPORTANT:** If you are performing recovery procedures on a tablet, the tablet battery must be at least 70% charged before you start the recovery process.


 **IMPORTANT:** For a tablet with a detachable keyboard, connect the tablet to the keyboard base before beginning any recovery process.

Backing up information and creating recovery media

These methods of creating recovery media and backups are available on select products only.

Using Windows tools for backing up

HP recommends that you back up your information immediately after initial setup. You can do this task either using Windows Backup locally with an external USB flash drive or using online tools.


 **NOTE:** If computer storage is 32 GB or less, Microsoft® System Restore is disabled by default.


Using the HP Cloud Recovery Download Tool to create recovery media (select products only)

You can use the HP Cloud Recovery Download Tool to create HP Recovery media on a bootable USB flash drive.

For details:

- Go to <http://www.hp.com>, search for HP Cloud Recovery, and then select the result that matches the type of computer that you have.

 **NOTE:** If you cannot create recovery media yourself, contact support to obtain recovery discs. Go to <http://www.hp.com/support>, select your country or region, and then follow the on-screen instructions.

 **IMPORTANT:** HP recommends that you follow the [Restoring and recovery methods on page 82](#) to restore your computer before you obtain and use the HP recovery discs. Using a recent backup can return your machine to a working state sooner than using the HP recovery discs. After the system is restored, reinstalling all the operating system software released since your initial purchase can be a lengthy process.

Restoring and recovering your system

You have several tools available to recover your system both within and outside of Windows if the desktop cannot load.

HP recommends that you attempt to restore your system using the [Restoring and recovery methods on page 82](#).

Creating a system restore

System Restore is available in Windows. The System Restore software can automatically or manually create restore points, or snapshots, of the system files and settings on the computer at a particular point.

When you use System Restore, it returns your computer to its state at the time you made the restore point. Your personal files and documents should not be affected.

Restoring and recovery methods

After you run the first method, test to see whether the issue still exists before you proceed to the next method, which might now be unnecessary.

1. Run a Microsoft System Restore.
2. Run Reset this PC.



NOTE: The options **Remove everything** and then **Fully clean the drive** can take several hours to complete and leave no information on your computer. It is the safest way to reset your computer before you recycle it.

3. Recover using HP Recovery media. For more information, see [Recovering using HP Recovery media on page 82](#).

For more information about the first two methods, see the Get Help app:

- Select the **Start** button, select **All apps**, select the **Get Help** app, and then enter the task you want to perform.



NOTE: You must be connected to the internet to access the Get Help app.

Recovering using HP Recovery media

You can use HP Recovery media to recover the operating system and drivers that were installed at the factory. On select products, you can create recovery media on a bootable USB flash drive using the HP Cloud Recovery Download Tool.


For details, see [Using the HP Cloud Recovery Download Tool to create recovery media \(select products only\) on page 81](#).



NOTE: If you cannot create recovery media yourself, contact support to obtain recovery discs. Go to <http://www.hp.com/support>, select your country or region, and then follow the on-screen instructions.


To recover your system:

- Insert the HP Recovery media, and then restart the computer.

 **NOTE:** HP recommends that you follow the [Restoring and recovery methods on page 82](#) to restore your computer before you obtain and use the HP recovery discs. Using a recent backup can return your machine to a working state sooner than using the HP recovery discs. After the system is restored, reinstalling all the operating system software released since your initial purchase can be a lengthy process.

Changing the computer boot order

If your computer does not restart using the HP Recovery media, you can change the computer boot order, which is the order of devices listed in BIOS for startup information. You can select an optical drive or a USB flash drive, depending on the location of your HP Recovery media.

 **IMPORTANT:** For a tablet with a detachable keyboard, connect the tablet to the keyboard base before beginning these steps.

To change the boot order:

1. Insert the HP Recovery media.
2. Access the system **Startup** menu.
 - For computers or tablets with keyboards attached, turn on or restart the computer or tablet, quickly press **esc**, and then press **f9** for boot options.
 - For tablets without keyboards, turn on or restart the tablet, quickly press and hold the volume up button, and then select **f9**.

– or –

Turn on or restart the tablet, quickly press and hold the volume down button, and then select **f9**.
3. Select the optical drive or USB flash drive from which you want to boot, and then follow the on-screen instructions.

Using HP Sure Recover (select products only)

Select computer models are configured with HP Sure Recover, a PC operating system (OS) recovery solution built into the hardware and software. HP Sure Recover can fully restore the HP OS image without installed recovery software.

Using HP Sure Recover, an administrator or user can restore the system and install:

- Latest version of the operating system
- Platform-specific device drivers
- Software applications, in the case of a custom image

To access the latest documentation for HP Sure Recover, go to <http://www.hp.com/support>. Follow the on-screen instructions to find your product and locate your documentation.

8 Using HP PC Hardware Diagnostics

You can use the HP PC Hardware Diagnostics utility to determine whether your computer hardware is running properly. The three versions are HP PC Hardware Diagnostics Windows, HP PC Hardware Diagnostics UEFI (Unified Extensible Firmware Interface), and (for select products only) Remote HP PC Hardware Diagnostics UEFI, a firmware feature.

Using HP PC Hardware Diagnostics Windows (select products only)

HP PC Hardware Diagnostics Windows is a Windows-based utility that allows you to run diagnostic tests to determine whether the computer hardware is functioning properly. The tool runs within the Windows operating system to diagnose hardware failures.

If HP PC Hardware Diagnostics Windows is not installed on your computer, you must download and install it. To download HP PC Hardware Diagnostics Windows, see [Downloading HP PC Hardware Diagnostics Windows on page 85](#).

Using an HP PC Hardware Diagnostics Windows hardware failure ID code

When HP PC Hardware Diagnostics Windows detects a failure that requires hardware replacement, a 24-digit failure ID code is generated for select component tests. For interactive tests, such as keyboard, mouse, or audio and video palette, you must perform troubleshooting steps before you can receive a failure ID.

- You have several options after you receive a failure ID:
 - Select **Next** to open the Event Automation Service (EAS) page, where you can log the case.
 - Scan the QR code with your mobile device, which takes you to the EAS page, where you can log the case.
 - Select the box next to the 24-digit failure ID to copy your failure code and send it to support.


Accessing HP PC Hardware Diagnostics Windows

After HP PC Hardware Diagnostics Windows is installed, you can access it from HP Support Assistant or the Start menu.

Accessing HP PC Hardware Diagnostics Windows from HP Support Assistant

After HP PC Hardware Diagnostics Windows is installed, follow these steps to access it from HP Support Assistant:


1. Complete one of the following tasks:
 - Select the **Search** icon in the taskbar, type `support` in the search box, and then select the **HP Support Assistant** app.
 - Select the question mark icon in the taskbar.
2. Select **Fixes & Diagnostics**.
3. Select **Run hardware diagnostics**, and then select **Launch**.
4. When the tool opens, select the type of diagnostic test that you want to run, and then follow the on-screen instructions.

 **NOTE:** To stop a diagnostic test, select **Cancel**.

Accessing HP PC Hardware Diagnostics Windows from the Start menu (select products only)

After HP PC Hardware Diagnostics Windows is installed, follow these steps to access it from the Start menu:

1. Select the **Start** button, and then select **All apps**.
2. Select **HP PC Hardware Diagnostics Windows**.
3. When the tool opens, select the type of diagnostic test that you want to run, and then follow the on-screen instructions.

 **NOTE:** To stop a diagnostic test, select **Cancel**.

Downloading HP PC Hardware Diagnostics Windows

The HP PC Hardware Diagnostics Windows downloading instructions are provided in English only. You must use a Windows computer to download this tool because only .exe files are provided.

Downloading the latest HP PC Hardware Diagnostics Windows version from HP

To download HP PC Hardware Diagnostics Windows from HP, follow these steps:

1. Go to <http://www.hp.com/go/techcenter/pcdiags>. The HP PC Diagnostics home page is displayed.
2. Select **Download HP Diagnostics Windows**, and then select the specific Windows diagnostics version to download to your computer or a USB flash drive.

The tool downloads to the selected location.

Downloading the HP PC Hardware Diagnostics Windows from the Microsoft Store


You can download the HP PC Hardware Diagnostics Windows from the Microsoft Store:

1. Select the Microsoft Store app on your desktop or select the **Search** icon in the taskbar, and then type `Microsoft Store` in the search box.
2. Type `HP PC Hardware Diagnostics Windows` in the **Microsoft Store** search box.
3. Follow the on-screen directions.

The tool downloads to the selected location.

Downloading HP Hardware Diagnostics Windows by product name or number (select products only)

You can download HP PC Hardware Diagnostics Windows by product name or number.

 **NOTE:** For some products, you might have to download the software to a USB flash drive by using the product name or number.

1. Go to <http://www.hp.com/support>.
2. Select **Software and Drivers**, select your type of product, and then enter the product name or number in the search box that is displayed.
3. In the **Diagnostics** section, select **Download**, and then follow the on-screen instructions to select the specific Windows diagnostics version to be downloaded to your computer or USB flash drive.


The tool downloads to the selected location.

Installing HP PC Hardware Diagnostics Windows

To install HP PC Hardware Diagnostics Windows, navigate to the folder on your computer or the USB flash drive where the .exe file downloaded, double-click the .exe file, and then follow the on-screen instructions.

Using HP PC Hardware Diagnostics UEFI

HP PC Hardware Diagnostics Unified Extensible Firmware Interface (UEFI) allows you to run diagnostic tests to determine whether the computer hardware is functioning properly. The tool runs outside the operating system so that it can isolate hardware failures from issues that are caused by the operating system or other software components.

 **NOTE:** For some products, you must use a Windows computer and a USB flash drive to download and create the HP UEFI support environment because only .exe files are provided. For more information, see [Downloading HP PC Hardware Diagnostics UEFI to a USB flash drive on page 87](#).

If your PC does not start in Windows, you can use HP PC Hardware Diagnostics UEFI to diagnose hardware issues.

Using an HP PC Hardware Diagnostics UEFI hardware failure ID code

When HP PC Hardware Diagnostics UEFI detects a failure that requires hardware replacement, a 24-digit failure ID code is generated.

For assistance in solving the problem, complete one of these tasks:

- Select **Contact HP**, accept the HP privacy disclaimer, and then use a mobile device to scan the failure ID code that appears on the next screen. The HP Customer Support - Service Center page appears with your failure ID and product number automatically filled in. Follow the on-screen instructions.
- Contact support, and provide the failure ID code.

Starting HP PC Hardware Diagnostics UEFI

To start HP PC Hardware Diagnostics UEFI, follow this procedure.

1. Turn on or restart the computer, and quickly press [esc](#).
2. Press [f2](#).

The BIOS searches three places for the diagnostic tools, in the following order:

- a. Connected USB flash drive



NOTE: To download the HP PC Hardware Diagnostics UEFI tool to a USB flash drive, see [Downloading the latest HP PC Hardware Diagnostics UEFI version on page 88](#).

- b. Hard drive
 - c. BIOS
3. When the diagnostic tool opens, select the type of diagnostic test that you want to run, and then follow the on-screen instructions.

Starting HP PC Hardware Diagnostics UEFI through HP Hotkey Support software (select products only)

This section describes how to start HP PC Hardware Diagnostics UEFI through HP Hotkey Support software.



NOTE: You must disable fast boot to access HP PC Hardware Diagnostics UEFI from the HP System Information application. To disable fast boot:

1. Turn on or restart the computer, and when the HP logo appears, press [f10](#) to enter Computer Setup.
2. Select **Advanced**, and then select **Boot Options**.
3. Clear **Fast Boot**.
4. Select **Save Changes and Exit**, and then select **Yes**.

1. From the **Start** menu, open the HP System Information Application or enter [fn+esc](#).
2. In HP System Information screen, select **Run System Diagnostics**, select **Yes** to run the application, and then select **Restart**.



IMPORTANT: To prevent loss of data, save your work in all open apps before restarting your computer.



NOTE: When the restart is complete, the computer will boot to HP PC Hardware Diagnostics UEFI Application. Proceed with the troubleshooting tests.

Downloading HP PC Hardware Diagnostics UEFI to a USB flash drive

Downloading HP PC Hardware Diagnostics UEFI to a USB flash drive can be useful in some situations.

- HP PC Hardware Diagnostics UEFI is not included in the preinstallation image.
- HP PC Hardware Diagnostics UEFI is not included in the HP Tool partition.
- The hard drive is damaged.



NOTE: The HP PC Hardware Diagnostics UEFI downloading instructions are provided in English only, and you must use a Windows computer to download and create the HP UEFI support environment because only .exe files are provided.

Downloading the latest HP PC Hardware Diagnostics UEFI version

To download the latest HP PC Hardware Diagnostics UEFI version to a USB flash drive, follow this procedure:

1. Go to <http://www.hp.com/go/techcenter/pcdiags>. The HP PC Diagnostics home page is displayed.
2. Select **Download HP Diagnostics UEFI**, and then select **Run**.

Downloading HP PC Hardware Diagnostics UEFI by product name or number (select products only)

You can download HP PC Hardware Diagnostics UEFI by product name or number (select products only) to a USB flash drive.



NOTE: For some products, you might have to download the software to a USB flash drive by using the product name or number.

1. Go to <http://www.hp.com/support>.
2. Enter the product name or number, select your computer, and then select your operating system.
3. In the **Diagnostics** section, follow the on-screen instructions to select and download the specific UEFI Diagnostics version for your computer.

Using Remote HP PC Hardware Diagnostics UEFI settings (select products only)

Remote HP PC Hardware Diagnostics UEFI is a firmware (BIOS) feature that downloads HP PC Hardware Diagnostics UEFI to your computer. It can then run the diagnostics on your computer, and it might upload results to a preconfigured server.

For more information about Remote HP PC Hardware Diagnostics UEFI, go to <http://www.hp.com/go/techcenter/pcdiags>, and then select **Find out more**.

Downloading Remote HP PC Hardware Diagnostics UEFI

Remote HP PC Hardware Diagnostics UEFI is also available as a SoftPaq that you can download to a server.

Downloading the latest Remote HP PC Hardware Diagnostics UEFI version

You can download the latest Remote HP PC Hardware Diagnostics UEFI version to a USB flash drive.

1. Go to <http://www.hp.com/go/techcenter/pcdiags>. The HP PC Diagnostics home page is displayed.
2. Select **Download Remote Diagnostics**, and then select **Run**.

Downloading Remote HP PC Hardware Diagnostics UEFI by product name or number

You can download Remote HP PC Hardware Diagnostics UEFI by product name or number.



NOTE: For some products, you might have to download the software by using the product name or number.

1. Go to <http://www.hp.com/support>.

2. Select **Software and Drivers**, select your type of product, enter the product name or number in the search box that is displayed, select your computer, and then select your operating system.
3. In the **Diagnostics** section, follow the on-screen instructions to select and download the **Remote UEFI** version for the product.

Customizing Remote HP PC Hardware Diagnostics UEFI settings

Using the Remote HP PC Hardware Diagnostics setting in Computer Setup (BIOS), you can perform several customizations.

- Set a schedule for running diagnostics unattended. You can also start diagnostics immediately in interactive mode by selecting **Execute Remote HP PC Hardware Diagnostics UEFI**.
- Set the location for downloading the diagnostic tools. This feature provides access to the tools from the HP website or from a server that has been preconfigured for use. Your computer does not require the traditional local storage (such as a hard drive or USB flash drive) to run remote diagnostics.
- Set a location for storing the test results. You can also set the user name and password that you use for uploads.
- Display status information about the diagnostics runs previously.

To customize Remote HP PC Hardware Diagnostics UEFI settings, follow these steps:

1. Turn on or restart the computer, and when the HP logo appears, press **f10** to enter Computer Setup.
2. Select **Advanced**, and then select **Settings**.
3. Make your customization selections.
4. Select **Exit**, then select **Save Changes and Exit** to save your settings.

Your changes take effect when the computer restarts.

9 Specifications

This chapter provides specifications for your computer system.

Computer specifications

This section provides specifications for your computer. When you travel with your computer, the computer dimensions and weights, as well as input power ratings and operating specifications, provide helpful information.

Table 9-1 Computer specifications

	Metric	U.S.
Dimensions		
Width	31.6 cm	12.4 in
Depth	22.4 cm	8.8 in
Height (front to back)	1.9 cm	0.8 in
Weight		
	1.5 kg	3.4 lb
Input power		
Operating voltage and current	19.5 V DC @ 2.31 A - 45 W	
	19.5 V DC @ 3.33 A - 65 W	
	19.5 V DC @ 4.62 A - 90 W	
	19.5 V DC @ 7.70 A - 150 W	
	19.5 V DC @ 10.3 A - 200 W	
Temperature		
Operating	5°C to 35°C	41°F to 95°F
Nonoperating	-20°C to 60°C	-4°F to 140°F
Relative humidity (noncondensing)		
Operating	10% to 90%	
Nonoperating	5% to 95%	
Maximum altitude (unpressurized)		
Operating	-15 m to 3,048 m	-50 ft to 10,000 ft
Nonoperating	-15 m to 12,192 m	-50 ft to 40,000 ft

Table 9-1 Computer specifications (continued)

	Metric	U.S.
NOTE: Applicable product safety standards specify thermal limits for plastic surfaces. The device operates well within this range of temperatures.		

Display specifications

This section provides specifications for your display.

Table 9-2 Display specifications

	Metric	U.S.
Active diagonal size	33.8 cm	13.3 in
Resolution	1920 × 1200	
Surface treatment	Antiglare	
Brightness	250 nits	
Viewing angle	UWVA	
Backlight	LBL	
	LED	
Display panel interface	eDP 1.4 + PSR	
	eDP 1.3 + PSR	
	eDP without PSR	

Solid-state drive specifications

This section provides specifications for your solid-state drives.

Table 9-3 Solid-state drive specifications

	256 GB*	512 GB*	1 TB*
Dimensions			
Height	1.0 mm	1.0 mm	1.0 mm
Length	50.8 mm	50.8 mm	50.8 mm
Width	28.9 mm	28.9 mm	28.9 mm
Weight	< 10 g	< 10 g	< 10 g
Interface type			
Ready time, maximum (to not busy)	1.0 ms	< 1.0 ms	1.0 ms
Access times, logical	0.1 ms	0.1 ms	0.1 ms
Transfer rate			
Sequential read	up to 2150 MBps	up to 2150 MBps	up to 2150 MBps

Table 9-3 Solid-state drive specifications (continued)

	256 GB*	512 GB*	1 TB*
Random read	Up to 300,000 IOPs	Up to 300,000 IOPs	Up to 300,000 IOPs
Sequential write	up to 1550 MBps	up to 1550 MBps	up to 1550 MBps
Random write	Up to 100,000 IOPs	Up to 100,000 IOPs	Up to 100,000 IOPs
Total logical sectors	468,883,296	1,000,215,216	1,500,336,388
Operating temperature	0°C to 70°C (32°F to 158°F)		

*1 GB = 1 billion bytes when referring to hard drive storage capacity. Actual accessible capacity is less. Actual drive specifications may differ slightly.

NOTE: Certain restrictions and exclusions apply. Contact support for details.


10 Statement of memory volatility

For general information regarding nonvolatile memory in HP business computers, and to restore nonvolatile memory that can contain personal data after the system has been turned off and the hard drive has been removed, use these instructions.

HP business computer products that use Intel®-based or AMD®-based system boards contain volatile DDR memory. The amount of nonvolatile memory present in the system depends upon the system configuration. Intel-based and AMD-based system boards contain nonvolatile memory subcomponents as originally shipped from HP, with the following assumptions:

- No subsequent modifications were made to the system.
- No applications, features, or functionality were added to or installed on the system.

Following system shutdown and removal of all power sources from an HP business computer system, personal data can remain on volatile system memory (DIMMs) for a finite period of time and also remains in nonvolatile memory. Use the following steps to remove personal data from the computer, including the nonvolatile memory found in Intel-based and AMD-based system boards.


 **NOTE:** If your tablet has a keyboard base, connect to the keyboard base before beginning steps in this chapter.

Current BIOS steps


Use these instructions to restore nonvolatile memory.

1. Follow these steps to restore the nonvolatile memory that can contain personal data. Restoring or reprogramming nonvolatile memory that does not store personal data is neither necessary nor recommended.

- a. Turn on or restart the computer, and then quickly press **esc**.

 **NOTE:** If the system has a BIOS administrator password, type the password at the prompt.

- b. Select **Main**, select **Apply Factory Defaults and Exit**, and then select **Yes** to load defaults. The computer restarts.
- c. During the restart, press **esc** while the "Press the ESC key for Startup Menu" message is displayed at the bottom of the screen.

 **NOTE:** If the system has a BIOS administrator password, type the password at the prompt.

- d. Select the **Security** menu, select **Restore Security Settings to Factory Defaults**, and then select **Yes** to restore security level defaults. The computer restarts.
- e. During the restart, press **esc** while the "Press the ESC key for Startup Menu" message is displayed at the bottom of the screen.



NOTE: If the system has a BIOS administrator password, type the password at the prompt.

- f. If an asset or ownership tag is set, select the **Security** menu and scroll down to the **Utilities** menu. Select **System IDs**, and then select **Asset Tracking Number**. Clear the tag, and then make the selection to return to the prior menu.
- g. If a DriveLock password is set, select the **Security** menu, and scroll down to **Hard Drive Utilities** under the **Utilities** menu. Select **Hard Drive Utilities**, select **DriveLock**, and then clear the check box for **DriveLock password on restart**. Select **OK** to proceed.
- h. Select the **Main** menu, and then select **Reset BIOS Security to factory default**. Select **Yes** at the warning message. The computer restarts.
- i. During the restart, press **esc** while the "Press the ESC key for Startup Menu" message is displayed at the bottom of the screen.



NOTE: If the system has a BIOS administrator password, type the password at the prompt.

- j. Select the **Main** menu, select **Apply Factory Defaults and Exit**, select **Yes** to save changes and exit, and then select **Shutdown**.
 - k. Restart the system. If the system has a Trusted Platform Module (TPM), fingerprint reader, or both, one or two prompts will appear—one to clear the TPM and the other to Reset Fingerprint Sensor. Press or tap **f1** to accept or **f2** to reject.
 - l. Remove all power and system batteries for at least 24 hours.
2. Complete one of the following:
- Remove and retain the storage drive.
- or -
 - Clear the drive contents by using a third-party utility designed to erase data from an SSD.
- or -
 - Clear the contents of the drive by using the following BIOS Setup Secure Erase command option steps:




NOTE: If you clear data using Secure Erase, you cannot recover it.

- a. Turn on or restart the computer, and then quickly press **esc**.
- b. Select the **Security** menu and scroll down to the **esc** menu.
- c. Select **Hard Drive Utilities**.
- d. Under **Utilities**, select **Secure Erase**, select the hard drive storing the data you want to clear, and then follow the on-screen instructions to continue.

- or -

Clear the contents of the drive using the following Disk Sanitizer commands steps:

- i. Turn on or restart the computer, and then quickly press **esc**.
- ii. Select the **Security** menu and scroll down to the **Utilities** menu.
- iii. Select **Hard Drive Utilities**.
- iv. Under **Utilities**, select **Disk Sanitizer**, select the hard drive with the data that you want to clear, and then follow the on-screen instructions to continue.

 **NOTE:** The amount of time it takes for Disk Sanitizer to run can take several hours. Plug the computer into an AC outlet before starting.

Nonvolatile memory usage

Use this table to troubleshoot nonvolatile memory usage.

Table 10-1 Troubleshooting steps for nonvolatile memory usage

Description	Volatility description	Storage user data	How to erase
Primary storage device, holds the OS, applications, and application settings	Non-volatile, 8-256 GB of eMMC or NVMe SSD storage, removable	Yes ¹	Follow instructions below under "Erase the Primary Storage Device"
System memory (RAM), holds transient data during system operation	Volatile, SODIMM socket. Removable (4 GB/8 GB/16 GB)	Yes	Unplug unit from power
Permanent system BIOS settings	Non-volatile; 16 KB; stored	No ²	Follow instructions below under "Clearing BIOS Settings"
System boot ROM (BIOS)	Non-volatile memory, 128 Mbit (16 MB) socketed, removable	No	Download the latest BIOS for your model from the HP website and follow the instructions to flash the BIOS that are on the website
RTC (CMOS) RAM	Volatile memory, 256 bytes located in AMD embedded System on Chip (SoC)	No	Unplug unit from main power, remove top cover and press Clear CMOS button
Keyboard/mouse (ROM)	Non-volatile, 2 KB embedded in the super I/O controller (SIO2)	Yes	N/A
Keyboard/mouse (RAM)	Volatile, 256 bytes embedded in the super I/O controller (SIO2)	No	Unplug unit from main power
LOM EEPROM	Non-volatile, 2 MB embedded in LAN controller	No	N/A
Trusted Platform Module (TPM)	Non-volatile; 51 KB ROM for firmware and 38 KB system parametric data	No ³	Follow instructions below under "Clearing TPM"

¹ Under typical operation, the only user data stored on the primary storage device are preferences for device configuration and settings for connections. However, the administrator can configure the system to allow users to store data locally.

² Only user data potentially stored in BIOS Settings are the ownership and asset tags, administrator password, and startup password.

³ The Trusted Platform Module may contain encrypted passwords or certificates generated from user or administrator input.

Questions and answers

Use this section to answer your questions about nonvolatile memory.

1. How can the BIOS settings be restored (returned to factory settings)?



IMPORTANT: The restore defaults feature does not securely erase any information on your hard drive. See question and answer 6 for steps to securely erase information.

The restore defaults feature does not reset the Custom Secure Boot keys. See question and answer 7 for information about resetting the keys.

- a. Turn on or restart the computer, and then quickly press **esc**.
- b. Select **Main**, and then select **Apply Factory Defaults and Exit**.
- c. Follow the on-screen instructions.
- d. Select **Main**, select **Save Changes and Exit**, and then follow the on-screen instructions.

2. What is a UEFI BIOS, and how is it different from a legacy BIOS?

The Unified Extensible Firmware Interface (UEFI) BIOS is an industry-standard software interface between the platform firmware and an operating system (OS). It replaces the older BIOS architecture but supports much of the legacy BIOS functionality.

Like the legacy BIOS, the UEFI BIOS provides an interface to display the system information and configuration settings and to change the configuration of your computer before an OS is loaded. BIOS provides a secure runtime environment that supports a Graphic User Interface (GUI). In this environment, you can use either a pointing device (touch screen, touchpad, pointing stick, or USB mouse) or the keyboard to navigate and make menu and configuration selections. The UEFI BIOS also contains basic system diagnostics.

The UEFI BIOS provides functionality beyond that of the legacy BIOS. In addition, the UEFI BIOS works to initialize the computer's hardware before loading and executing the OS; the runtime environment allows the loading and execution of software programs from storage devices to provide more functionality, such as advanced hardware diagnostics (with the ability to display more detailed system information) and advanced firmware management and recovery software.

HP has provided options in Computer Setup (BIOS) to allow you to run in legacy BIOS, if required by the operating system. Examples of this requirement would be if you upgrade or downgrade the OS.

3. Where is the UEFI BIOS located?

The UEFI BIOS is located on a flash memory chip. You must use a utility to write to the chip.


4. What kind of configuration data is stored on the DIMM Serial Presence Detect (SPD) memory module? How would this data be written?

The DIMM SPD memory contains information about the memory module, such as size, serial number, data width, speed and timing, voltage, and thermal information. This information is written by the module manufacturer and stored on an EEPROM. You cannot write to this EEPROM when the memory module is installed in a computer. Third-party tools do exist that can write to the EEPROM when the memory module is not installed in a computer. Various third-party tools are available to read SPD memory.

5. What is meant by "Restore the nonvolatile memory found in Intel-based system boards"?

This message relates to clearing the Real Time Clock (RTC) CMOS memory that contains computer configuration data.

6. How can the BIOS security be reset to factory defaults and erase the data?

 **IMPORTANT:** Resetting results in the loss of information.

These steps do not reset Custom Secure Boot Keys. See question and answer 7 for information about resetting the keys.

- a. Turn on or restart the computer, and then quickly press **esc**.
- b. Select **Main**, and then select **Reset Security to Factory Defaults**.
- c. Follow the on-screen instructions.
- d. Select **Main**, select **Save Changes and Exit**, and then follow the on-screen instructions.

7. How can the Custom Secure Boot Keys be reset?

Secure Boot is a feature to ensure that only authenticated code can start on a platform. If you enabled Secure Boot and created Custom Secure Boot Keys, disabling Secure Boot does not clear the keys. You must also select to clear the Custom Secure Boot Keys. Use the same Secure Boot access procedure that you used to create the Custom Secure Boot Keys, but select to clear or delete all Secure Boot Keys.

- a. Turn on or restart the computer, and then quickly press **esc**.
- b. Select the **Security** menu, select **Secure Boot Configuration**, and then follow the on-screen instructions.
- c. At the **Secure Boot Configuration** window, select **Secure Boot**, select **Clear Secure Boot Keys**, and then follow the on-screen instructions to continue.

Using HP Sure Start (select products only)

Select computer models are configured with HP Sure Start, a technology that continuously monitors your computer's BIOS for attacks or corruption.

If the BIOS becomes corrupted or is attacked, HP Sure Start restores the BIOS to its previously safe state, without user intervention. Those select computer models ship with HP Sure Start configured and enabled. HP Sure Start is configured and already enabled so that most users can use the HP Sure Start default configuration. Advanced users can customize the default configuration.

To access the latest documentation on HP Sure Start, go to <http://www.hp.com/support>.

11 Power cord set requirements

This chapter provides power cord requirements for countries and regions.

The wide-range input feature of the computer permits it to operate from any line voltage from 100 V AC to 120 V AC, or from 220 V AC to 240 V AC.

The three-conductor power cord set included with the computer meets the requirements for use in the country or region where the equipment is purchased.

Power cord sets for use in other countries or regions must meet the requirements of the country and region where the computer is used.

Requirements for all countries

These power cord requirements are applicable to all countries and regions.

- The length of the power cord set must be at least **1.0 m** (3.3 ft) and no more than **2.0 m** (6.5 ft).
- All power cord sets must be approved by an acceptable accredited agency responsible for evaluation in the country or region where the power cord set will be used.
- The power cord sets must have a minimum current capacity of 10 A and a nominal voltage rating of 125 V AC or 250 V AC, as required by the power system of each country or region.
- The appliance coupler must meet the mechanical configuration of an EN 60 320/IEC 320 Standard Sheet C13 connector for mating with the appliance inlet on the back of the computer.

Requirements for specific countries and regions

To determine power cord requirements for specific countries and regions, use this table.

Table 11-1 Power cord requirements for specific countries and regions

Country/region	Accredited agency	Applicable note number
Argentina	IRAM	1
Australia	SAA	1
Austria	OVE	1
Belgium	CEBEC	1
Brazil	ABNT	1
Canada	CSA	2

Table 11-1 Power cord requirements for specific countries and regions (continued)

Country/region	Accredited agency	Applicable note number
Chile	IMQ	1
Denmark	DEMKO	1
Finland	FIMKO	1
France	UTE	1
Germany	VDE	1
India	BIS	1
Israel	SII	1
Italy	IMQ	1
Japan	JIS	3
Netherlands	KEMA	1
New Zealand	SANZ	1
Norway	NEMKO	1
People's Republic of China	CCC	4
Saudi Arabia	SASO	7
Singapore	PSB	1
South Africa	SABS	1
South Korea	KTL	5
Sweden	SEMKO	1
Switzerland	SEV	1
Taiwan	BSMI	6
Thailand	TISI	1
United Kingdom	ASTA	1
United States	UL	2

Table 11-1 Power cord requirements for specific countries and regions (continued)

Country/region	Accredited agency	Applicable note number
		1. The flexible cord must be Type HO5VV-F, three-conductor, 0.75 mm ² conductor size. Power cord set fittings (appliance coupler and wall plug) must bear the certification mark of the agency responsible for evaluation in the country or region where it will be used.
		2. The flexible cord must be Type SVT/SJT or equivalent, No. 18 AWG, three-conductor. The wall plug must be a two-pole grounding type with a NEMA 5-15P (15 A, 125 V AC) or NEMA 6-15P (15 A, 250 V AC) configuration. CSA or C-UL mark. UL file number must be on each element.
		3. The appliance coupler, flexible cord, and wall plug must bear a T mark and registration number in accordance with the Japanese Dentori Law. The flexible cord must be Type VCTF, three-conductor, 0.75 mm ² or 1.25 mm ² conductor size. The wall plug must be a two-pole grounding type with a Japanese Industrial Standard C8303 (7 A, 125 V AC) configuration.
		4. The flexible cord must be Type RVV, three-conductor, 0.75 mm ² conductor size. Power cord set fittings (appliance coupler and wall plug) must bear the CCC certification mark.
		5. The flexible cord must be Type H05VV-F three-conductor, 0.75 mm ² conductor size. KTL logo and individual approval number must be on each element. Approval number and logo must be printed on a flag label.
		6. The flexible cord must be Type HVCTF three-conductor, 1.25 mm ² conductor size. Power cord set fittings (appliance coupler, cable, and wall plug) must bear the BSMI certification mark.
		7. For 127 V AC, the flexible cord must be Type SVT or SJT 3-conductor, 18 AWG, with plug NEMA 5-15P (15 A, 125 V AC), with UL and CSA or C-UL marks. For 240 V AC, the flexible cord must be Type H05VV-F three-conductor, 0.75 mm ² or 1.00 mm ² conductor size, with plug BS 1363/A with BSI or ASTA marks.

12 Recycling

When a nonrechargeable or rechargeable battery has reached the end of its useful life, do not dispose of the battery in general household waste. Follow the local laws and regulations in your area for battery disposal.

HP encourages customers to recycle used electronic hardware, HP original print cartridges, and rechargeable batteries. For more information about recycling programs, see the HP website at <http://www.hp.com/recycle>.

Index

- A**
 - AC adapter
 - spare part numberS 26
 - ACS board
 - spare part number 24
 - adapter
 - spare part numbers 26
 - ALS board
 - illustrated 24
 - ambient light and color sensor,
 - identifying 8
 - antenna
 - illustrated 24
 - removal 59, 60
 - spare part numbers 24, 59, 60
 - audio jack cable
 - illustrated 21, 25
 - removal 48
 - spare part number 21, 25, 48
 - audio-out (headphone)/audio-in (microphone) combo jack,
 - identifying 6
 - audio, product description 2
 - B**
 - backup, creating 81
 - backups 81
 - battery
 - illustrated 22
 - removal 41
 - spare part numbers 22, 41
 - battery light 7
 - bezel
 - illustrated 23
 - spare part numbers 23
 - BIOS
 - determining version 78
 - downloading an update 78, 79
 - updating 78
 - boot order
 - changing using the f9 prompt 79
 - boot order, changing 83
 - bottom cover
 - illustrated 22
 - removal 39
 - spare part number 22, 39
 - Bracket Kit
 - contents 26
 - spare part number 26
 - buttons
 - left touchpad 10
 - power 12, 14
 - right touchpad 10
 - C**
 - cable
 - spare part numbers 26
 - Cable Kit
 - contents 25
 - spare part number 25
 - cable retainer
 - illustrated 22
 - spare part number 22
 - camera 8
 - identifying 8
 - camera light, identifying 8
 - camera privacy cover,
 - identifying 8
 - caps lock light, identifying 11
 - card reader
 - illustrated 20
 - removal 70
 - spare part number 20, 70
 - card reader cable
 - illustrated 20, 25
 - removal 69
 - spare part number 20, 25, 69
 - caring for your computer 34
 - cautions
 - electrostatic discharge 30, 31
 - chipset, product description 1
 - cleaning your computer 34
 - caring for wood veneer 36
 - disinfecting 35
 - HP Easy Clean 34
 - removing dirt and debris 34
 - components
 - bottom 14
 - display 7
 - keyboard area 9
 - left side 6
 - rear 15
 - right side 5
 - Computer Setup
 - navigating and selecting 77
 - restoring factory settings 78
 - starting 77
 - computer specifications 90
 - connector, power 7
- D**
 - display
 - specifications 90, 91
 - display assembly
 - removal 50
 - subcomponents 22
 - display back cover
 - illustrated 24
 - spare part numbers 24
 - display bezel
 - removal 52
 - spare part numbers 52
 - display components 7
 - display panel
 - illustrated 23, 24
 - product description 1
 - removal 54
 - spare part number 24
 - spare part numbers 23, 56
 - Display Panel Cable Kit, spare part number 24
 - dock
 - spare part numbers 26
 - duckhead adapter
 - spare part number 26

E

electrostatic discharge (ESD) 30, 31
preventing damage 30-32
esc key, identifying 13

F

fan
illustrated 21
removal 49
spare part number 21, 49
fingerprint reader
illustrated 20
removal 67
spare part number 20
spare part numbers 67
fingerprint reader bracket
illustrated 20
removal 67
spare part number 20, 68
fingerprint reader cable
illustrated 20, 25
removal 68
spare part number 20, 25, 68
fingerprint reader, identifying 13
fn key, identifying 13
fn lock light, identifying 11

G

grounding methods 30-32
guidelines
packaging 30, 36
transporting 30, 36
workstation 30

H

hard drive
specifications 90
hardware, locating 5
HDMI port, identifying 6
heat sink
illustrated 22
removal 74
spare part number 22
spare part numbers 74
hinge
illustrated 23
removal 54
spare part number 23, 54
hinge cover
illustrated 23
removal 53
spare part number 23, 53

HP PC Hardware Diagnostics UEFI

downloading 87
failure ID code 86
HP Hotkey Support
software 87
starting 86, 87
using 86
HP PC Hardware Diagnostics
Windows
accessing 84, 85
downloading 85
failure ID code 84
installing 86
using 84
HP Recovery media
recovery 82
HP Smart Adapter 7.4 mm adapter,
spare part number 26
HP Sure Recover 83
HP Sure Start 93, 97
hub board
illustrated 24
removal 58
spare part numbers 24, 59
hub board cable
illustrated 24
spare part number 24

I

I/O bracket
illustrated 22
removal 73
spare part number 22, 73
illustrated parts catalog 17
infrared hub board
illustrated 24
spare part number 24
internal microphones,
identifying 8

J

jacks
audio-out (headphone)/audio-in
(microphone) combo 6

K

keyboard
product description 3
keys
esc 13
fn 13
Windows 13

L

labels
contents 15
locations 15
left side components 6
lights
AC adapter and battery 7
battery 7
camera 8
caps lock 11
fn lock 11
microphone mute 11
num lk 11
power 11
privacy key 11
lights, mute 11
lights, num lk 11
low blue light mode 7

M

memory
nonvolatile 93
volatile 93
memory module
product description 2
microphone
product description 2
microphone module
illustrated 24
spare part number 24
microphone module cable
illustrated 24
spare part number 24
microphone mute light,
identifying 11
Miscellaneous Kit
spare part number 27
model name 1
mute light, identifying 11

N

Near Field Communications (NFC)
tapping area and antenna,
identifying 10
NFC module
illustrated 20
removal 64
spare part number 20, 64
NFC module antenna
removal 63
spare part number 20, 63, 64
NFC module cable
illustrated 20, 25

- removal 62
- spare part number 20, 25, 62, 64
- NFC module, product
 - description 2
- nonvolatile memory 93
- num lk light 11
- num lk light, identifying 11

O

- operating system, product
 - description 4
- optical drive, spare part number 27

P

- packaging guidelines 30, 36
- pointing device, product
 - description 3
- ports
 - HDMI 6
 - product description 3
 - USB 6
 - USB 5 Gbps port with HP Sleep and Charge 7
 - USB Type-C power connector and Thunderbolt port with HP Sleep and Charge 7
- power button, identifying 12, 14
- power connector
 - identifying USB Type-C 7
- power cord
 - requirements for all countries 98
 - requirements for specific countries and regions 98
 - set requirements 98
 - spare part numbers 27, 28
- power lights 11
- power requirements, product
 - description 3
- privacy key light 11
- processor
 - product description 1
- product description
 - audio 2
 - chipset 1
 - display panel 1
 - keyboard 3
 - memory module 2
 - microphone 2
 - NFC module 2
 - operating system 4
 - pointing device 3

- ports 3
- power requirements 3
- processors 1
- product name 1
- security 3
- sensors 4
- serviceability 4
- storage 2
- video 2
- wireless 2
- product name 1

R

- recovery 81, 82
 - discs 82
 - media 82
 - USB flash drive 82
- recovery media 81
 - creating using HP Cloud Recovery Download Tool 81
 - creating using Windows tools 81
- Remote HP PC Hardware
 - Diagnostics UEFI settings customizing 89
 - using 88
- removal and replacement procedures 39
- removing personal data from volatile system memory 93
- restoring 81
- restoring and recovery methods 82
- RGB hub board
 - illustrated 24
 - spare part number 24
- right side components 5
- RTC battery
 - illustrated 20
 - spare part number 20

S

- Screw Kit, spare part number 29
- security cable slot, identifying 6
- security, product description 3
- sensors, product description 4
- serviceability, product
 - description 4
- setup utility
 - navigating and selecting 77
 - restoring factory settings 78
- SIM card slot, identifying 5
- SIM slot insert
 - illustrated 22

- spare part number 22
- slots
 - security cable 6
 - SIM card 5
 - smart card 7
- smart card slot, identifying 7
- software, locating 5
- solid-state drive
 - illustrated 20
 - removal 44
 - spare part numbers 20, 24, 44
 - specifications 91
- solid-state drive shield
 - illustrated 21
 - spare part number 21, 45
- Solid-State Drive Support Kit
 - contents 21
 - spare part number 21
- spare part country codes 76
- speaker
 - removal 47
 - spare part number 47
- speakers
 - illustrated 22
 - spare part number 22
- speakers, identifying 14
- special keys, using 13
- specifications
 - computer 90
 - display 90, 91
 - hard drive 90
 - solid-state drive 91
- static electricity 30, 31
- storage
 - product description 2
- support information 37
- Sure Start
 - using 80
- system board
 - illustrated 21
 - removal 71
 - spare part numbers 21, 71
- System Board Support Kit, spare part number 22
- system memory, removing
 - personal data from volatile 93
- system restore 82
- system restore point, creating 81

T

- top cover with keyboard
 - illustrated 18
 - spare part numbers 18, 76

- touchpad
 - illustrated 20
 - removal 66
 - settings 9
 - spare part numbers 20, 66
- touchpad buttons
 - identifying 10
- touchpad cable
 - illustrated 20, 25
 - removal 65
 - spare part number 20, 25, 65
- touchpad settings, adjusting 9
- touchpad zone, identifying 10
- TPM settings 80
- transporting guidelines 30, 36

U

- USB 5 Gbps port, identifying 6
- USB port with HP Sleep and Charge, identifying 7
- USB Type-C power connector and Thunderbolt port with HP Sleep and Charge, identifying 7

V

- vents, identifying 15
- video, product description 2

W

- webcam module
 - illustrated 24
 - removal 57
 - spare part number 24
 - spare part numbers 58
- webcam module cable
 - illustrated 24
 - removal 56
 - spare part number 24, 57
- Windows
 - backup 81
 - recovery media 81
 - system restore point 81
- Windows key, identifying 13
- Windows tools, using 81
- wireless antenna
 - illustrated 24
 - removal 59, 60
 - spare part numbers 24, 59, 60
- wireless antennas, identifying 8
- wireless, product description 2
- WLAN antenna
 - illustrated 24
 - spare part number 59
- spare part numbers 24
- WLAN antennas, identifying 8
- WLAN module
 - illustrated 20
 - removal 46
 - spare part numbers 20, 46
- WLAN module antenna
 - removal 59, 60
- workstation guidelines 30
- WWAN antenna
 - illustrated 24
 - spare part number 60
 - spare part numbers 24
- WWAN antennas, identifying 8
- WWAN module
 - illustrated 20
 - removal 42
 - spare part numbers 20, 42