



# Maintenance and Service Guide

## **SUMMARY**

This guide provides information about spare parts, removal and replacement of parts, security, backing up, and more.

## Legal information

© Copyright 2022 HP Development Company, L.P.

AMD, Radeon, and Ryzen are trademarks of Advanced Micro Devices, Inc. Bluetooth is a trademark owned by its proprietor and used by HP Inc. under license. The terms HDMI, HDMI High-Definition Multimedia Interface, and the HDMI Logo are trademarks or registered trademarks of HDMI Licensing Administrator, Inc. Intel and XMM are trademarks of Intel Corporation or its subsidiaries in the U.S. and/or other countries. Chrome, Chrome OS, Chromebook, Google, and Google Drive are trademarks of Google LLC. SDHC, SDXC, and microSD are trademarks or registered trademarks of SD-3C LLC. Microsoft and Windows are either registered trademarks or trademarks of Microsoft Corporation in the United States and/or other countries. Qualcomm® is a registered trademark of QUALCOMM INCORPORATED. USB Type-C and USB-C are registered trademarks of USB Implementers Forum. DisplayPort™ and the DisplayPort™ logo are trademarks owned by the Video Electronics Standards Association (VESA®) in the United States and other countries. Wi-Fi is a registered trademark of Wi-Fi Alliance.

The information contained herein is subject to change without notice. The only warranties for HP products and services are set forth in the express warranty statements accompanying such products and services. Nothing herein should be construed as constituting an additional warranty. HP shall not be liable for technical or editorial errors or omissions contained herein.

First Edition: May 2022

Document Part Number: N17304-001

### Product notice

This guide describes features that are common to most models. Some features may not be available on your computer.

To access the latest user guides, go to <http://www.hp.com/support>, and follow the instructions to find your product. Then select **Manuals**.

### Software terms

By installing, copying, downloading, or otherwise using any software product preinstalled on this computer, you agree to be bound by the terms of the HP End User License Agreement (EULA). If you do not accept these license terms, your sole remedy is to return the entire unused product (hardware and software) within 14 days for a full refund subject to the refund policy of your seller.

For any further information or to request a full refund of the price of the computer, please contact your seller.

## Safety warning notice

Reduce the possibility of heat-related injuries or of overheating the computer by following the practices described.

- 
- ⚠ WARNING!** To reduce the possibility of heat-related injuries or of overheating the computer, do not place the computer directly on your lap or obstruct the computer air vents. Use the computer only on a hard, flat surface. Do not allow another hard surface, such as an adjoining optional printer, or a soft surface, such as pillows or rugs or clothing, to block airflow. Also, do not allow the AC adapter to come into contact with the skin or a soft surface, such as pillows or rugs or clothing, during operation. The computer and the AC adapter comply with the user-accessible surface temperature limits defined by applicable safety standards.
-

---

# Table of contents

<b>1 Product description</b> .....	<b>1</b>
<b>2 Components</b> .....	<b>3</b>
Right.....	3
Left.....	4
Display .....	6
Low blue-light mode (select products only) .....	6
Keyboard area.....	7
Touchpad .....	7
Power key and fingerprint reader.....	8
Special keys .....	8
Bottom .....	9
Labels.....	10
<b>3 Illustrated parts catalog</b> .....	<b>12</b>
Computer major components.....	12
Display assembly subcomponents.....	14
Miscellaneous parts.....	16
<b>4 Removal and replacement procedures preliminary requirements</b> .....	<b>19</b>
Tools required .....	19
Service considerations.....	19
Plastic parts .....	19
Cables and connectors.....	19
Drive handling.....	19
Electrostatic discharge information.....	20
Generating static electricity .....	20
Preventing electrostatic damage to equipment .....	21
Personal grounding methods and equipment .....	21
Grounding the work area.....	22
Recommended materials and equipment.....	22
Cleaning your computer .....	23
Enabling HP Easy Clean (select products only) .....	23
Removing dirt and debris from your computer.....	23
Cleaning your computer with a disinfectant .....	24
Caring for wood veneer (select products only) .....	25
Packaging and transporting guidelines .....	25
Accessing support information .....	25
<b>5 Removal and replacement procedures for authorized service provider parts</b> .....	<b>28</b>

Component replacement procedures.....	28
Preparation for disassembly .....	28
Bottom cover .....	28
Battery .....	30
Solid-state drive .....	31
WLAN module .....	33
WWAN module .....	35
Speakers .....	36
Fan .....	37
Touchpad .....	38
USB board .....	39
Lock bracket.....	41
Card reader .....	42
Fingerprint reader and board .....	43
Heat sink .....	45
System board.....	46
Display assembly.....	49
Top cover with keyboard.....	57
<b>6 Backing up, resetting, and recovering .....</b>	<b>58</b>
Backing up .....	58
Resetting.....	58
Recovering .....	58
Installing the Chromebook Recovery Utility .....	59
Creating recovery media.....	59
Recovering the Chrome operating system.....	59
Setting up your computer after a reset or recovery .....	60
Erasing and reformatting the recovery media .....	60
<b>7 Specifications .....</b>	<b>61</b>
Computer specifications .....	61
35.6 cm (14.0 in) display specifications .....	61
Solid-state drive specifications .....	62
<b>8 Statement of memory volatility .....</b>	<b>63</b>
Current BIOS steps.....	63
Nonvolatile memory usage .....	65
Questions and answers .....	67
Using HP Sure Start (select products only) .....	69
<b>9 Power cord set requirements .....</b>	<b>70</b>
Requirements for all countries.....	70
Requirements for specific countries and regions .....	70
<b>10 Recycling .....</b>	<b>72</b>
<b>Index .....</b>	<b>73</b>

# 1 Product description

This table provides detailed product information.

**Table 1-1 Product components and their descriptions**

Category	Description
<b>Product Name</b>	<b>HP Elite c645 14 inch G2 Chromebook™</b>
<b>Processors</b>	<b>AMD Ryzen™ processors</b> AMD Ryzen 7-5825C (2.00 GHz base frequency, up to Standard, 16 MB cache, 8 cores) AMD Ryzen 5-5625C (2.30 GHz base frequency, up to Standard, 16 MB cache, 6 cores) AMD Ryzen 3-5425C (2.70 GHz base frequency, up to 4.10 GHz Standard, 8 MB cache, 4 cores)
<b>Graphics</b>	<b>Internal graphics</b> AMD Radeon™ Graphics
<b>Display</b>	<b>14.0 in (35.6 cm), white light-emitting diode (WLED), antiglare</b> Full high definition (FHD) (1920 × 1080), ultra wide viewing angle (UWVA), 45% NTSC, embedded DisplayPort (eDP) 1.2 without panel self-refresh (PSR), 250 nits FHD, UWVA, 45% NTSC, eDP 1.2 without PSR, 250 nits, WWAN FHD, UWVA, 45% NTSC, eDP 1.2 without PSR, 250 nits, touch-on panel (TOP) FHD, UWVA, 100% sRGB, eDP 1.3 + PSR, 400 nits FHD, UWVA, 100% sRGB, eDP 1.3 + PSR, low blue light, 1000 nits, privacy panel, HP Eye Ease certification High definition (HD) (1366 × 768), standard viewing angle (SVA), 45% NTSC, eDP 1.2 without PSR, 250 nits
<b>Memory</b>	Integrated, not customer accessible or upgradeable supporting up to 32 GB of RAM LPDDR4-4266 dual-channel support Supports the following configurations: <ul style="list-style-type: none"><li>• 32 GB</li><li>• 16 GB</li></ul>
<b>Primary storage</b>	<b>PCIe, Non-Volatile Memory express (NVMe), M.2 solid-state drives</b> (select models only) 512 GB, M2, 2280 256 GB, M2, 2230 128 GB, M2, 2230 <b>embedded MultiMedia Controller (eMMC) 5.0</b> (select models only) 64 GB

**Table 1-1 Product components and their descriptions (continued)**

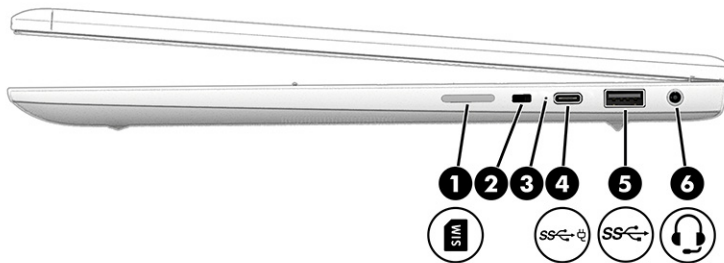
<b>Category</b>	<b>Description</b>
<b>Audio and video</b>	B&O Play
	Dual speakers
	5 MP camera, narrow field-of-view (NFOV), USB2
	Dual-array digital microphone with appropriate software: beam forming, echo cancellation, noise suppression
<b>Wireless</b>	<b>Wireless Local Area Network (WLAN)</b>
	Qualcomm® Fast Connect 6900 Wi-Fi 6E Bluetooth® 5.2 WLAN
	<b>Wireless Wide Area Network (WWAN)</b> (select products only)
	Intel® XMM™ 7360 LTE-Advanced (Cat 9)
<b>Media card reader</b>	Supports microSD™, SDHC™, SDXC™
<b>Ports</b>	HDMI™ v2.0
	USB Type-C®
	USB 3.2 Gen 1 Type-A (2) (models without WWAN)
	-or-
	USB 3.2 Gen 1 Type-A (1) (models with WWAN)
<b>Keyboard/pointing devices</b>	<b>Keyboard</b> (island style, spill resistant)
	3-coat paint, backlit
	3-coat paint, backlit, privacy
	Textured
<b>Power requirements</b>	<b>Battery</b>
	3 cell, 58 Whr, polymer, HP Long Life
	HP Fast Charge Technology
	<b>Smart AC adapters</b> (USB Type-C, non power factor correction, (nPFC), straight, 1.8 m [6 ft])
	65 W
	45 W
	<b>Power cord</b>
	C5, conventional, 1 m (3.3 ft)
<b>Security</b>	Integrated fingerprint touch sensor (select products only)
	Kensington nano security lock
	Active SmartCard (select products only)
<b>Operating system</b>	Google Chrome™ 64
	Chrome with Chrome Education Upgrade
	Chrome with Chrome Enterprise Upgrade
<b>Serviceability</b>	<b>End user replaceable parts</b>
	AC adapter

## 2 Components


Your computer features top-rated components. This chapter provides details about your components, where they are located, and how they work.

### Right

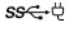


Use the illustration and table to identify the components on the right side of the computer.



**Table 2-1** Right-side components and their descriptions

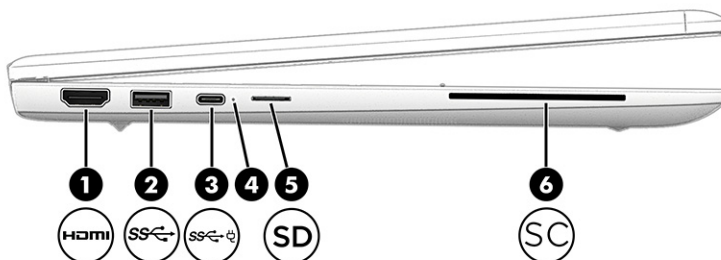
Component	Description
(1) 	SIM card slot (select products only) Supports a wireless subscriber identity module (SIM) card.
(2)	Security cable slot Attaches an optional security cable to the computer. <b>NOTE:</b> The security cable is designed to act as a deterrent, but it might not prevent the computer from being mishandled or stolen.
(3)	AC adapter and battery light <ul style="list-style-type: none"><li>White: The AC adapter is connected and the battery is fully charged.</li><li>Amber: The AC adapter is connected and the battery is charging.</li><li>Blinking amber: The battery has an error.</li><li>Off: The battery is not charging.</li></ul>

**Table 2-1 Right-side components and their descriptions (continued)**



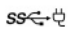


Component	Description
<p>(4)</p>  <p>USB Type-C® power connector and SuperSpeed port</p>	<p>Connects an AC adapter that has a USB Type-C connector, supplying power to the computer and, if needed, charging the computer battery.</p> <p>– and –</p> <p>Connects a USB device, provides high-speed data transfer, and (for select products) charges small devices (such as a smartphone) when the computer is on or in Sleep mode.</p> <p><b>NOTE:</b> Use a standard USB Type-C charging cable or cable adapter (purchased separately) when charging a small external device.</p> <p>– and –</p> <p>Connects a display device that has a USB Type-C connector, providing DisplayPort™ output.</p>
<p>(5)</p>  <p>USB SuperSpeed port (select products only)</p>	<p>Connects a USB device, provides high-speed data transfer, and (for select products) charges small devices (such as a smartphone) when the computer is on or in Sleep mode.</p> <p><b>NOTE:</b> Use a standard USB Type-A charging cable or cable adapter (purchased separately) when charging a small external device.</p>
<p>(6)</p>  <p>Audio-out (headphone)/Audio-in (microphone) combo jack</p>	<p>Connects optional powered stereo speakers, headphones, earbuds, a headset, or a television audio cable. Also connects an optional headset microphone. This jack does not support optional standalone microphones.</p> <p><b>WARNING!</b> To reduce the risk of personal injury, adjust the volume before putting on headphones, earbuds, or a headset. For additional safety information, see the <i>Regulatory, Safety, and Environmental Notices</i>.</p> <p><b>NOTE:</b> When a device is connected to the jack, the computer speakers are disabled.</p>

## Left

Use the illustration and table to identify the components on the left side of the computer.



**Table 2-2 Left-side components and their descriptions**

Component	Description
(1)  HDMI port	Connects an optional video or audio device, such as a high-definition television, any compatible digital or audio component, or a high-speed High Definition Multimedia Interface (HDMI) device.
(2)  USB SuperSpeed port	Connects a USB device, provides high-speed data transfer, and (for select products) charges small devices (such as a smartphone) when the computer is on or in Sleep mode.  <b>NOTE:</b> Use a standard USB Type-A charging cable or cable adapter (purchased separately) when charging a small external device.
(3)  USB Type-C® power connector and SuperSpeed port	Connects an AC adapter that has a USB Type-C connector, supplying power to the computer and, if needed, charging the computer battery.  – and –  Connects a USB device, provides high-speed data transfer, and (for select products) charges small devices (such as a smartphone) when the computer is on or in Sleep mode.  <b>NOTE:</b> Use a standard USB Type-C charging cable or cable adapter (purchased separately) when charging a small external device.  – and –  Connects a display device that has a USB Type-C connector, providing DisplayPort™ output.
(4) AC adapter and battery light	<ul style="list-style-type: none"> <li>• White: The AC adapter is connected and the battery is fully charged.</li> <li>• Amber: The AC adapter is connected and the battery is charging.</li> <li>• Blinking amber: The battery has an error.</li> <li>• Off: The battery is not charging.</li> </ul>
(5)  microSD™ memory card reader	Reads optional memory cards that store, manage, share, or access information.  To insert a card:  <ol style="list-style-type: none"> <li>1. Hold the card label-side up, with the connectors facing the computer.</li> <li>2. Insert the card into the memory card reader, and then press in on the card until it is firmly seated.</li> </ol> To remove a card:  <ul style="list-style-type: none"> <li>■ Press in on the card, and then remove it from the memory card reader.</li> </ul>
(6)  Smart card reader (select products only)	Supports optional smart cards.

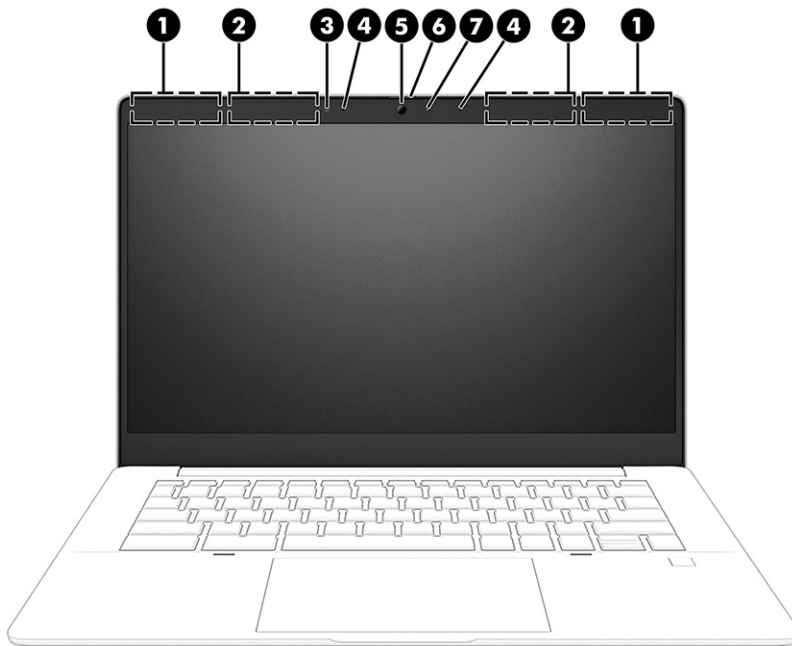
# Display

Use the illustration and table to identify the display components.

## Low blue-light mode (select products only)

Your computer display is shipped from the factory in low blue-light mode for improved eye comfort and safety. Blue-light mode also automatically adjusts blue-light emissions when you are using the computer at night or for reading.

**⚠ WARNING!** To reduce the risk of serious injury, read the *Safety & Comfort Guide*. It describes proper workstation setup and proper posture, health, and work habits for computer users. The *Safety & Comfort Guide* also provides important electrical and mechanical safety information. The *Safety & Comfort Guide* is available on the web at <http://www.hp.com/ergo>.



**Table 2-3** Display components and their descriptions

Component	Description
(1) WWAN antennas* (select products only)	Send and receive wireless signals to communicate with wireless wide area networks (WWANs).
(2) WLAN antennas*	Send and receive wireless signals to communicate with wireless local area networks (WLANs).
(3) Ambient light sensor (select products only)	Adjusts the brightness of the display, depending on the ambient light.
(4) Internal microphones	Record sound.
(5) Camera	Allows you to video chat, record video, and record still images.

**NOTE:** Camera functions vary depending on the camera hardware and software installed on your product.

**Table 2-3 Display components and their descriptions (continued)**

Component	Description
(6) Camera privacy cover	By default, the camera lens is uncovered, but you can slide the camera privacy cover to block the camera's view. To use the camera, slide the camera privacy cover in the opposite direction to reveal the lens.
(7) Camera light	On (white): The camera is in use. Off: The camera is turned off by the software.

\*The antennas are not visible from outside the computer. For optimal transmission, keep the areas immediately around the antennas free from obstructions.

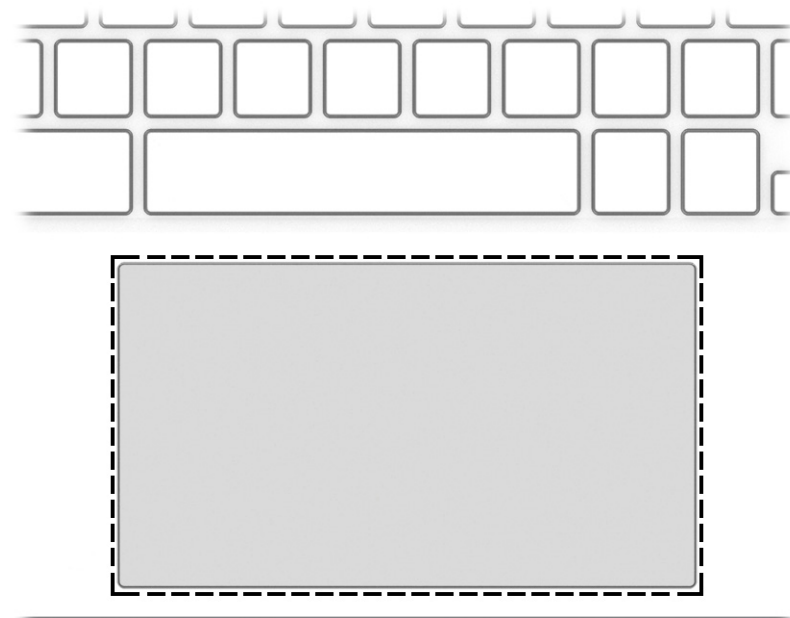
For wireless regulatory notices, see the section of the *Regulatory, Safety, and Environmental Notices* that applies to your country or region.

## Keyboard area

Keyboards can vary by language.

## Touchpad

The touchpad settings and components are described here.

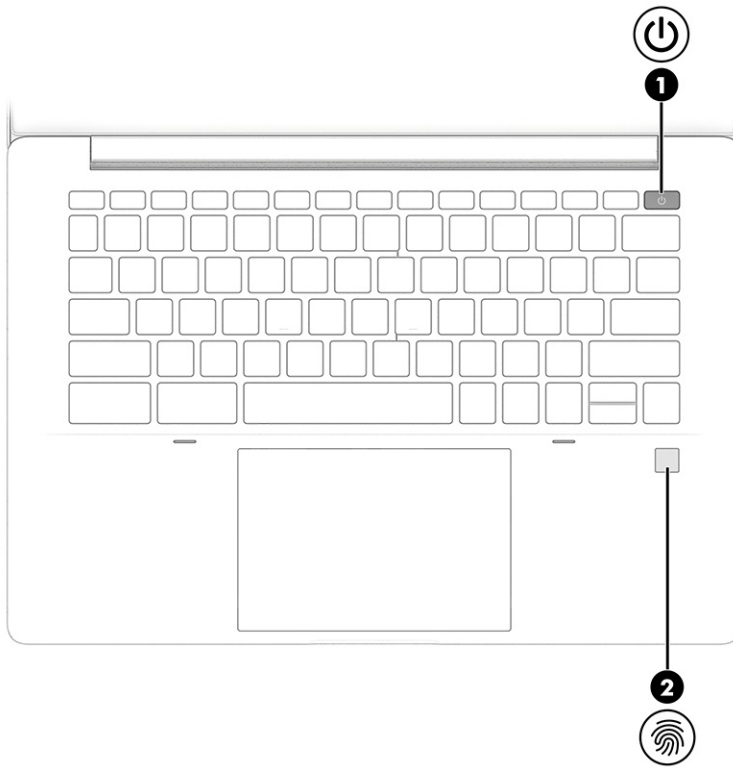


**Table 2-4 Touchpad component and description**



Component	Description
Touchpad zone	Reads your finger gestures to move the pointer or activate items on the screen.

## Power key and fingerprint reader

Fingerprint readers can be located on the touchpad, on a side panel of the computer, or on the top cover below the keyboard.



**Table 2-5** Power key and fingerprint reader and their descriptions

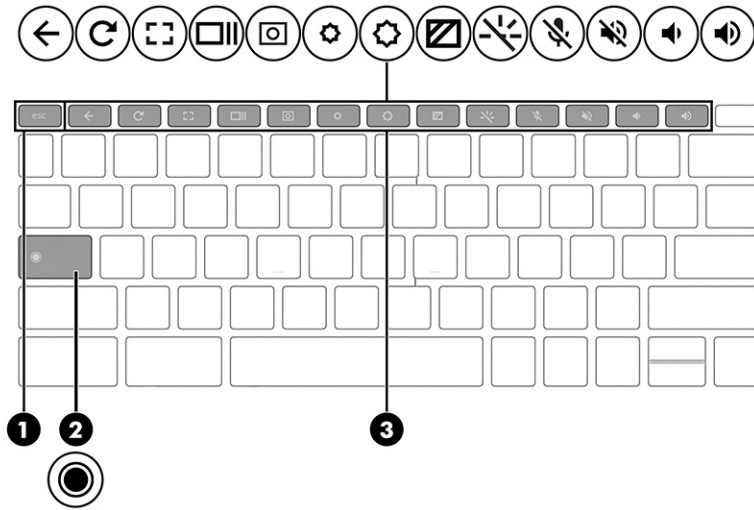
Component	Description
(1)  Power key	<ul style="list-style-type: none"><li>• When the computer is off, press the key briefly to turn on the computer.</li><li>• When the computer is on, press the key briefly to initiate Sleep.</li><li>• When the computer is in the Sleep state, press the key briefly to exit Sleep (select products only).</li></ul> <p><b>IMPORTANT:</b> Pressing and holding down the power key results in the loss of unsaved information.</p> <p>If the computer has stopped responding and shutdown procedures are ineffective, press and hold the power key for at least 10 seconds to turn off the computer.</p>
(2)  Fingerprint reader (select products only)	<p>The fingerprint reader allows you to unlock the computer screen or to resume computer operations. The reader does not function as a login device.</p> <ul style="list-style-type: none"><li>▪ Touch your finger to the fingerprint reader.</li></ul>

## Special keys

Use the illustration and table to locate the special keys.



**NOTE:** Your computer might look slightly different than the illustration in this section.

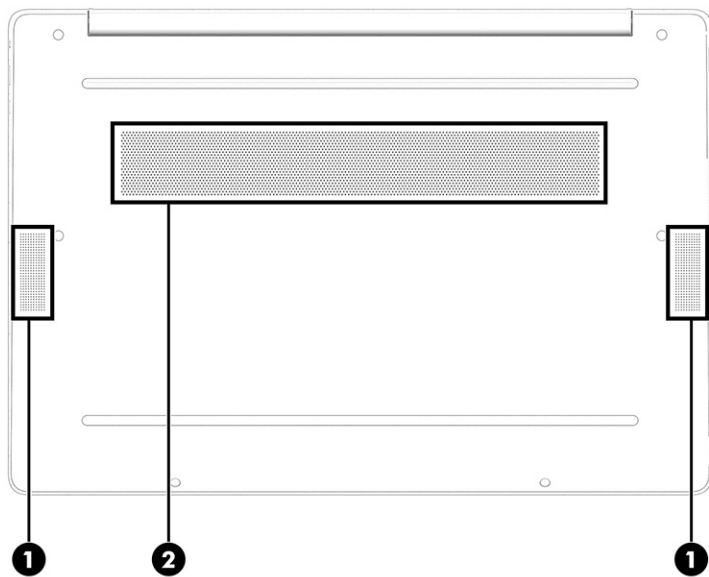


**Table 2-6** Special keys and their descriptions

Component	Description
(1) <code>esc</code> key	Activates certain computer functions when pressed in combination with other keys, such as <code>tab</code> or <code>shift</code> .
(2) Search key	Opens a search box.
(3) Action keys	Execute frequently used system functions.

## Bottom

Use the illustration and table to identify the bottom components.




**Table 2-7** Bottom components and their descriptions

Components		Description
(1)	Speakers	Produce sound.
(2)	Vent	Enables airflow to cool internal components.

**NOTE:** The computer fan starts automatically to cool internal components and prevent overheating. It is normal for the internal fan to cycle on and off during routine operation.

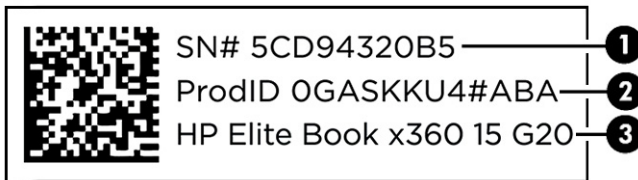
## Labels

The labels affixed to the computer provide information you might need when you troubleshoot system problems or travel internationally with the computer. Labels might be in paper form or imprinted on the product.

 **IMPORTANT:** Check the following locations for the labels described in this section: the bottom of the computer, inside the battery bay, under the service door, on the back of the display, or on the bottom of a tablet kickstand.

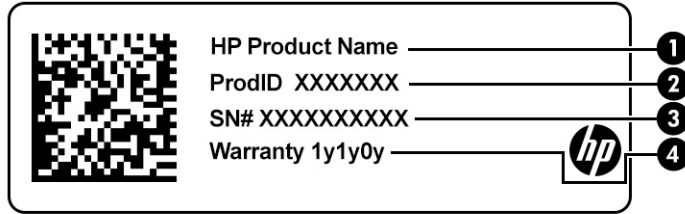
- Service label—Provides important information to identify your computer. When contacting support, you might be asked for the serial number, the product number, or the model number. Locate this information before you contact support.

Your service label will resemble one of the following examples. Refer to the illustration that most closely matches the service label on your computer.



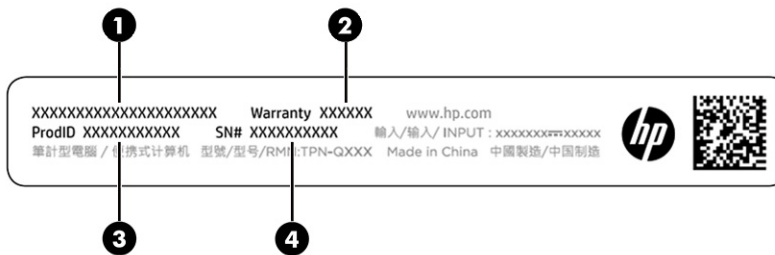
**Table 2-8** Service label components

Component
(1) Serial number
(2) Product ID
(3) HP product name



**Table 2-9 Service label components**

Component
(1) HP product name
(2) Product ID
(3) Serial number
(4) Warranty period



**Table 2-10 Service label components**

Component
(1) HP product name
(2) Warranty period
(3) Product ID
(4) Serial number

- Regulatory labels—Provide regulatory information about the computer.
- Wireless certification labels—Provide information about optional wireless devices and the approval markings for the countries or regions where the devices have been approved for use.

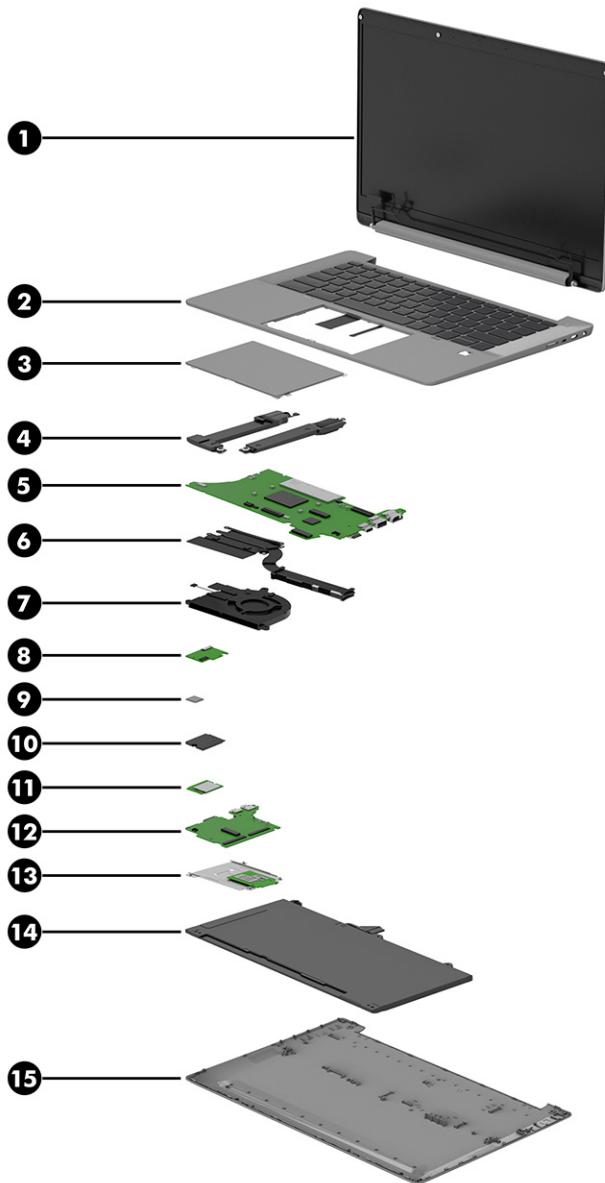
---

## 3 Illustrated parts catalog

Use this chapter to determine the spare parts that are available for the computer.

### Computer major components

To identify the computer major components, use this illustration and table.



**Table 3-1 Computer major component descriptions and part numbers**

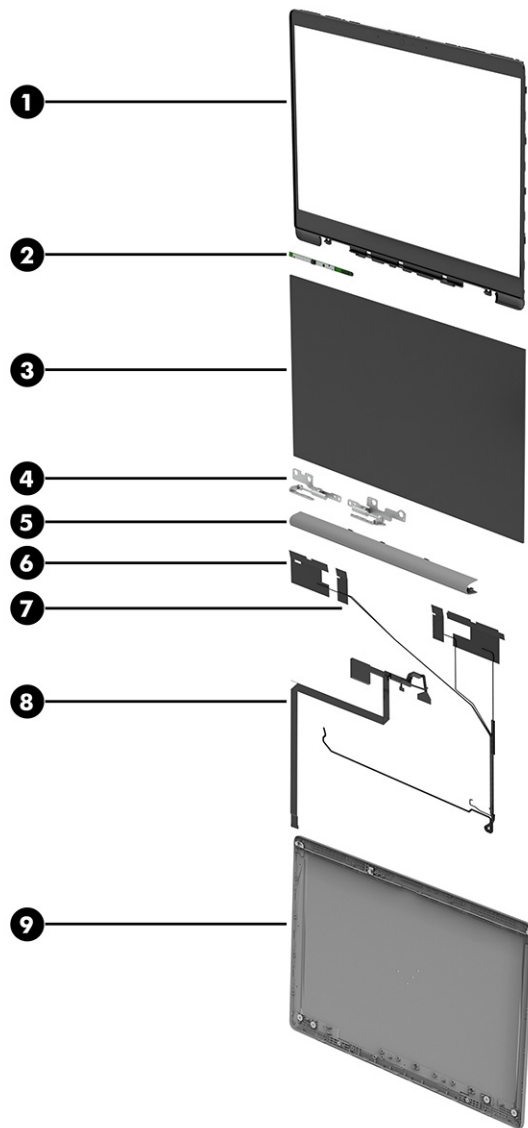
Item	Component	Spare part number
(1)	<b>Display assembly</b>  <b>NOTE:</b> Display assemblies are offered as spare parts only at a subcomponent level. For more information, see <a href="#">Display assembly subcomponents on page 14</a> .	not available as a spare part
(2)	<b>Top cover with keyboard</b>  For a detailed list of country codes, see <a href="#">Top cover with keyboard on page 57</a> .	
	Backlit, WWAN models	N15102-xx1
	Backlit, privacy, WWAN models	N15106-xx1
	Backlit, models without WWAN	N15104-xx1
	Backlit, privacy, models without WWAN	N15103-xx1
	Not backlit, models without WWAN	N15105-xx1
(3)	<b>Touchpad</b> (includes bracket)  <b>NOTE:</b> The touchpad cable with Mylar is available using spare part number N14811-001.	N12916-001
(4)	<b>Speakers</b> (left and right)	N12919-001
(5)	<b>System board</b> (includes processor)  <b>NOTE:</b> The system board repair kit is available as spare part number N19985-888.  The system board bracket is available in the Bracket Kit as spare part number N18576-001.	
	For use in models without WWAN:	
	<ul style="list-style-type: none"> <li>• AMD Ryzen 7-5825C processor and 16 GB of system memory</li> </ul>	N12896-001
	<ul style="list-style-type: none"> <li>• AMD Ryzen 5-5625C processor and 16 GB of system memory</li> </ul>	N12893-001
	<ul style="list-style-type: none"> <li>• AMD Ryzen 5-5625C processor and 8 GB of system memory</li> </ul>	N12895-001
	<ul style="list-style-type: none"> <li>• AMD Ryzen 5-5625C processor and 8 GB of system memory and 64 GB of eMMC storage</li> </ul>	N12894-001
	<ul style="list-style-type: none"> <li>• AMD Ryzen 3-5425C processor and 8 GB of system memory and 64 GB of eMMC storage</li> </ul>	N12892-001
	For use in models with WWAN:	
	<ul style="list-style-type: none"> <li>• AMD Ryzen 7-5825C processor and 16 GB of system memory</li> </ul>	N22020-001
	<ul style="list-style-type: none"> <li>• AMD Ryzen 5-5625C processor and 16 GB of system memory</li> </ul>	N22017-001
	<ul style="list-style-type: none"> <li>• AMD Ryzen 5-5625C processor and 8 GB of system memory</li> </ul>	N22018-001
	<ul style="list-style-type: none"> <li>• AMD Ryzen 5-5625C processor and 8 GB of system memory and 64 GB of eMMC storage</li> </ul>	N22019-001
	<ul style="list-style-type: none"> <li>• AMD Ryzen 3-5425C processor and 8 GB of system memory and 64 GB of eMMC storage</li> </ul>	N22016-001
(6)	<b>Heat sink</b>	N12917-001
(7)	<b>Fan</b>	N12918-001
(8)	<b>Fingerprint reader board</b>	N18574-001
(9)	<b>Fingerprint reader</b>  <b>NOTE:</b> The fingerprint reader cable is available using spare part number N18575-001.  The fingerprint reader bracket is available in the Bracket Kit as spare part number N18576-001.	N14814-001

**Table 3-1 Computer major component descriptions and part numbers (continued)**

Item	Component	Spare part number
(10)	<b>WLAN module</b> (Qualcomm Fast Connect 6900 Wi-Fi 6E Bluetooth 5.2 WLAN)  <b>NOTE:</b> The WLAN bracket is available in the Bracket Kit as spare part number N18576-001.	N17383-001
(11)	<b>WWAN module</b> (Intel XMM 7360 LTE-Advanced [Cat 9])  <b>NOTE:</b> The WWAN bracket is available in the Bracket Kit as spare part number N18576-001.	N13692-001
(12)	<b>USB board</b>  <b>NOTE:</b> The USB board cable is available using spare part number N12910-001 for models with WWAN and N12911-001 for models without WWAN.  USB board brackets are available in the Bracket Kit as spare part number N18576-001.	
	For use in models with WWAN	N12908-001
	For use in models with WLAN	N12909-001
(13)	<b>Smart card reader</b>  <b>NOTE:</b> The smart card reader cable is available using spare part number N18575-001.  The smart card reader bracket is available in the Bracket Kit as spare part number N18576-001.	N12914-001
(14)	<b>Battery</b> (3 cell, 58 Whr)  <b>NOTE:</b> The battery bracket is available in the Bracket Kit as spare part number N18576-001.	M12585-005
(15)	<b>Bottom cover</b>	
	For use in models with WWAN	N12890-001
	For use in models with WLAN	N12891-001
*	<b>Solid-state drive (PCIe)</b> (not illustrated)  <b>NOTE:</b> The solid-state drive bracket is available in the Bracket Kit as spare part number N18576-001.	
	512 GB	N17382-001
	256 GB	N17381-001
	128 GB	N17380-001
	*not illustrated	

## Display assembly subcomponents

To identify the display assembly subcomponents, use this illustration and table.



**Table 3-2** Display component descriptions and part numbers

Item	Component	Spare part number
(1)	<b>Display bezel</b> (includes hinge cover)	
	For use in privacy models	N12924-001
	For use in nonprivacy models	N12925-001
(2)	<b>Camera module</b>	N12929-001
(3)	<b>Display panel</b> (includes panel adhesive)	
	<b>NOTE:</b> The panel tape kit is available as spare part number N13937-001.	
	FHD, 250 nits, touch-on panel (TOP)	N12897-001
	FHD, 250 nits	N12898-001
	FHD, 250 nits, WWAN	N22021-001
	FHD, 400 nits	N12899-001

**Table 3-2 Display component descriptions and part numbers (continued)**

Item	Component	Spare part number
	FHD, 1000 nits, privacy	N12901-001
	HD, 250 nits	N12900-001
(4)	<b>Hinges</b> (includes left and right display hinges)	N12927-001
(5)	<b>Hinge cover</b>	N12928-001
(6)	<b>WWAN antenna kit</b>	N12922-001
(7)	<b>WLAN antenna kit</b>	N12923-001
(8)	<b>Display panel cable</b>	N12926-001
(9)	<b>Display back cover</b>	
	For use in models without WWAN:	
	<ul style="list-style-type: none"> <li>For use with 250 nit displays</li> </ul>	N12902-001
	<ul style="list-style-type: none"> <li>For use with privacy displays</li> </ul>	N12903-001
	<ul style="list-style-type: none"> <li>For use with 400 nit displays</li> </ul>	N12904-001
	For use in models with WWAN:	
	<ul style="list-style-type: none"> <li>For use with 250 nit displays</li> </ul>	N12905-001
	<ul style="list-style-type: none"> <li>For use with privacy displays</li> </ul>	N12906-001
	<ul style="list-style-type: none"> <li>For use with 400 nit displays</li> </ul>	N12907-001
*	<b>Ambient light sensor</b> (includes cable)	N13938-001
	*not illustrated	

## Miscellaneous parts

To identify the miscellaneous parts, use this table.

**Table 3-3 Miscellaneous part descriptions and part numbers**

Component	Spare part number
<b>AC adapters</b> (USB Type-C AC adapter (nPFC, 3 pin, 1.8 m [6 ft]))	
45 W	L43407-001
65 W	L67440-001
<b>SIM card tray</b>	N12920-001
<b>Screw Kit</b>	N12930-001
<b>Bracket Kit</b> (includes brackets for SmartCard, fingerprint reader, left and right cables, battery, WLAN module, WWAN module, solid-state drive, display panel, system board, USB I/O)	N18576-001
<b>Miscellaneous Parts Kit</b> (includes thermal pad, smart card reader insert, fingerprint reader insert, and various absorbers with Mylar)	N14812-001
<b>System Board Repair Kit</b>	N19985-888
<b>Display Panel Adhesive Kit</b>	N13937-001

**Table 3-3** Miscellaneous part descriptions and part numbers (continued)

<b>Component</b>	<b>Spare part number</b>
<b>Adapters</b>	
HDMI-to-VGA	701943-001
HDMI-to-DVI	749038-001
USB-C-to-VGA	831751-001
USB-C-to-HDMI 2.0	935325-001
USB-C-to-DisplayPort	831753-001
USB-C-to-USB 3.0	814618-001
USB-C-to-RJ-45	M95985-001
USB-C-to-RJ-45, FD	918779-001
USB 3.0-to-gigabit, FD	914031-001
<b>HP USB Type-C-to-USB Type-A hub</b>	916838-001
<b>HP USB-C travel hub</b>	L72056-001
<b>HP 14.1 business, slim, top load case</b>	L05333-001
<b>HP Prelude Pro 15.6 backpack</b>	M03617-001
<b>HP Prelude Pro 15.6 top load case</b>	M03618-001
<b>HP business 14.1 laptop bag</b>	M55007-001
<b>HP bluetooth travel mouse</b>	L62043-001
<b>HP USB mouse</b>	L95713-001
<b>HP nano lock</b>	918431-001
<b>HP Sure Key cable lock</b>	L65088-001
<b>Power adapter (duckhead)</b>	
Japan	L33157-001
<b>Power adapter (C5, AC, conventional, 1.0 m [3.3 ft])</b>	
Japan	226768-001
<b>Power cords (C5, conventional, 1.0 m [3.3 ft])</b>	
Argentina	L19357-001
Australia	L19358-001
Denmark	L19360-001
Europe (Austria, Belgium, Finland, France, Germany, the Netherlands, Norway, and Sweden)	L19361-001
India	L19363-001
Israel	L19362-001
Italy	L19364-001
Japan	L19365-001
North America	L19367-001

**Table 3-3 Miscellaneous part descriptions and part numbers (continued)**

<b>Component</b>	<b>Spare part number</b>
People's Republic of China	L19368-001
South Africa	L19369-001
South Korea	L19366-001
Switzerland	L19370-001
Taiwan	L19372-001
Thailand	M85418-001
United Kingdom	L19373-001
<b>Power cords (C5, conventional, right angle, 1.0 m [3.3 ft])</b>	
Argentina	931249-001
Australia	923430-001
Brazil	923430-002
Denmark	923430-003
Europe (Austria, Belgium, Finland, France, Germany, the Netherlands, Norway, and Sweden)	923430-004
India	923430-006
Israel	923435-001
Italy	923430-007
Japan	931252-001
North America	923430-008
People's Republic of China	931251-001
South Africa	923430-009
South Korea	931250-001
Switzerland	923430-010
Taiwan	923430-012
Thailand	923430-011
United Kingdom	923430-013
<b>Power cord (C5, premium, 1.0 m [3.3 ft])</b>	
Europe (Austria, Belgium, Finland, France, Germany, the Netherlands, Norway, and Sweden)	L22321-001

---

## 4 Removal and replacement procedures preliminary requirements

Use this information to properly prepare to disassemble and reassemble the computer.

### Tools required


You need the following tools to complete the removal and replacement procedures:

- Tweezers
- Nonconductive, nonmarking pry tool
- Magnetic Phillips P1 screwdriver

### Service considerations

The following sections include some of the considerations that you must keep in mind during disassembly and assembly procedures.

---

 **NOTE:** As you remove each subassembly from the computer, place the subassembly (and all accompanying screws) away from the work area to prevent damage.

---


### Plastic parts

Using excessive force during disassembly and reassembly can damage plastic parts.

### Cables and connectors

Handle cables with extreme care to avoid damage.

---

 **IMPORTANT:** When servicing the computer, be sure that cables are placed in their proper locations during the reassembly process. Improper cable placement can damage the computer.


---

Apply only the tension required to unseat or seat the cables during removal and insertion. Handle cables by the connector whenever possible. In all cases, avoid bending, twisting, or tearing cables. Be sure that cables are routed so that they cannot be caught or snagged as you remove or replace parts. Handle flex cables with extreme care; these cables tear easily.

### Drive handling

Note the following guidelines when handling drives.

---

 **IMPORTANT:** Drives are fragile components. Handle them with care. To prevent damage to the computer, damage to a drive, or loss of information, observe these precautions:

- Before removing or inserting a hard drive, shut down the computer. If you are unsure whether the computer is off or in Hibernation, turn the computer on, and then shut it down through the operating system.


- Before handling a drive, be sure that you are discharged of static electricity. While handling a drive, avoid touching the connector.
  - Before removing an optical drive, be sure that a disc is not in the drive, and be sure that the optical drive tray is closed.
  - Handle drives on surfaces covered with at least 2.54 cm (1 inch) of shock-proof foam.
  - Avoid dropping drives from any height onto any surface.
  - After removing a hard drive or an optical drive, place it in a static-proof bag.
  - Avoid exposing an internal hard drive to products that have magnetic fields, such as monitors or speakers.
  - Avoid exposing a drive to temperature extremes or liquids.
  - If a drive must be mailed, place the drive in a bubble pack mailer or other suitable form of protective packaging, and label the package “FRAGILE.”
- 

## Electrostatic discharge information

A sudden discharge of static electricity from your finger or other conductor can destroy static-sensitive devices or microcircuitry. Often the spark is neither felt nor heard, but damage occurs. An electronic device exposed to electrostatic discharge (ESD) might not appear to be affected at all and can work perfectly throughout a normal cycle. The device might function normally for a while, but it has been degraded in the internal layers, reducing its life expectancy.

Networks built into many integrated circuits provide some protection, but in many cases, the discharge contains enough power to alter device parameters or melt silicon junctions.

---

 **IMPORTANT:** To prevent damage to the device when you remove or install internal components, observe these precautions:

- Keep components in their electrostatic-safe containers until you are ready to install them.
  - Before touching an electronic component, discharge static electricity by using the guidelines described in [Personal grounding methods and equipment on page 21](#).
  - Avoid touching pins, leads, and circuitry. Handle electronic components as little as possible.
  - If you remove a component, place it in an electrostatic-safe container.
- 


## Generating static electricity

Follow these static electricity guidelines:

- Different activities generate different amounts of static electricity.
- Static electricity increases as humidity decreases.

**Table 4-1 Static electricity occurrence based on activity and humidity**

Event	Relative humidity		
	55%	40%	10%
Walking across carpet	7,500 V	15,000 V	35,000 V
Walking across vinyl floor	3,000 V	5,000 V	12,000 V
Motions of bench worker	400 V	800 V	6,000 V
Removing DIPs (dual in-line packages) from plastic tube	400 V	700 V	2,000 V
Removing DIPs from vinyl tray	2,000 V	4,000 V	11,500 V
Removing DIPs from polystyrene foam	3,500 V	5,000 V	14,500 V
Removing bubble pack from PCB (printed circuit board)	7,000 V	20,000 V	26,500 V
Packing PCBs in foam-lined box	5,000 V	11,000 V	21,000 V
Multiple electric components can be packaged together in plastic tubes, trays, or polystyrene foam.			

 **NOTE:** As little as 700 V of static electricity can degrade a product.

## Preventing electrostatic damage to equipment

Many electronic components are sensitive to ESD. Circuitry design and structure determine the degree of sensitivity.

The following packaging and grounding precautions are necessary to prevent static electricity damage to electronic components:

- To avoid hand contact, transport products in static-safe containers such as tubes, bags, or boxes.
- Protect all electrostatic parts and assemblies with conductive or approved containers or packaging.
- Keep electrostatic-sensitive parts in their containers until they arrive at static-free stations.
- Place items on a grounded surface before removing them from their container.
- Always be properly grounded when touching a sensitive component or assembly.
- Avoid contact with pins, leads, or circuitry.
- Place reusable electrostatic-sensitive parts from assemblies in protective packaging or conductive foam.

## Personal grounding methods and equipment

Using certain equipment can prevent static electricity damage to electronic components.

- **Wrist straps** are flexible straps with a maximum of  $1\text{ M}\Omega \pm 10\%$  resistance in the ground cords. To provide proper ground, a strap must be worn snug against bare skin. The ground cord must be connected and fit snugly into the banana plug connector on the grounding mat or workstation.
- You can use **heel straps, toe straps, and boot straps** at standing workstations. These straps are compatible with most types of shoes or boots. On conductive floors or dissipative floor mats, use them on both feet with a maximum of  $1\text{ M}\Omega \pm 10\%$  resistance between the operator and ground.

**Table 4-2 Static shielding protection levels**

Static shielding protection levels	
Method	Voltage
Antistatic plastic	1,500
Carbon-loaded plastic	7,500
Metallized laminate	15,000

## Grounding the work area

To prevent static damage at the work area, follow these precautions:

- Cover the work surface with approved static-dissipative material.
- Use a wrist strap connected to a properly grounded work surface and use properly grounded tools and equipment.
- Use static-dissipative mats, foot straps, or air ionizers to give added protection.
- Handle electrostatic sensitive components, parts, and assemblies by the case or PCB laminate. Handle them only at static-free work areas.
- Turn off power and input signals before inserting and removing connectors or test equipment.
- Use fixtures made of static-safe materials when fixtures must directly contact dissipative surfaces.
- Keep the work area free of nonconductive materials, such as ordinary plastic assembly aids and polystyrene foam.
- Use conductive field service tools, such as cutters, screwdrivers, and vacuums.
- Avoid contact with pins, leads, or circuitry.

## Recommended materials and equipment

HP recommends certain materials and equipment to prevent static electricity:

- Antistatic tape
- Antistatic smocks, aprons, or sleeve protectors
- Conductive bins and other assembly or soldering aids
- Conductive foam
- Conductive tabletop workstations with ground cord of  $1\text{ M}\Omega \pm 10\%$  resistance
- Static-dissipative table or floor mats with hard tie to ground
- Field service kits
- Static awareness labels
- Wrist straps and footwear straps providing  $1\text{ M}\Omega \pm 10\%$  resistance
- Material handling packages

- Conductive plastic bags
- Conductive plastic tubes
- Conductive tote boxes
- Opaque shielding bags
- Transparent metallized shielding bags
- Transparent shielding tubes

## Cleaning your computer

Cleaning your computer regularly removes dirt and debris so that your device continues to operate at its best. Use the following information to safely clean the external surfaces of your computer.

### Enabling HP Easy Clean (select products only)

HP Easy Clean helps you to avoid accidental input while you clean the computer surfaces. This software disables devices such as the keyboard, touch screen, and touchpad for a preset amount of time so that you can clean all computer surfaces.

1. Start HP Easy Clean in one of the following ways:
  - Select the **Start** menu, and then select **HP Easy Clean**.  
– or –
  - Select the **HP Easy Clean** icon in the taskbar.  
– or –
  - Select **Start**, and then select the **HP Easy Clean** tile.
2. Now that your device is disabled for a short period, see [Removing dirt and debris from your computer on page 23](#) for the recommended steps to clean the high-touch, external surfaces on your computer. After you remove the dirt and debris, you can also clean the surfaces with a disinfectant. See [Cleaning your computer with a disinfectant on page 24](#) for guidelines to help prevent the spread of harmful bacteria and viruses.


### Removing dirt and debris from your computer

Here are the recommended steps to clean dirt and debris from your computer.

For computers with wood veneer, see [Caring for wood veneer \(select products only\) on page 25](#).

1. Wear disposable gloves made of latex (or nitrile gloves, if you are latex-sensitive) when cleaning the surfaces.
2. Turn off your device and unplug the power cord and other connected external devices. Remove any installed batteries from items such as wireless keyboards.


---

 **CAUTION:** To prevent electric shock or damage to components, never clean a product while it is turned on or plugged in.

---

3. Moisten a microfiber cloth with water. The cloth should be moist, but not dripping wet.


---

 **IMPORTANT:** To avoid damaging the surface, avoid abrasive cloths, towels, and paper towels.

---

4. Wipe the exterior of the product gently with the moistened cloth.

---

 **IMPORTANT:** Keep liquids away from the product. Avoid getting moisture in any openings. If liquid makes its way inside your HP product, it can cause damage to the product. Do not spray liquids directly on the product. Do not use aerosol sprays, solvents, abrasives, or cleaners containing hydrogen peroxide or bleach that might damage the finish.

---

5. Start with the display (if applicable). Wipe carefully in one direction, and move from the top of the display to the bottom. Finish with any flexible cables, like power cord, keyboard cable, and USB cables.
6. Be sure that surfaces have completely air-dried before turning the device on after cleaning.
7. Discard the gloves after each cleaning. Clean your hands immediately after you remove the gloves.

See [Cleaning your computer with a disinfectant on page 24](#) for recommended steps to clean the high-touch, external surfaces on your computer to help prevent the spread of harmful bacteria and viruses.

## Cleaning your computer with a disinfectant


The World Health Organization (WHO) recommends cleaning surfaces, followed by disinfection, as a best practice for preventing the spread of viral respiratory illnesses and harmful bacteria.

After cleaning the external surfaces of your computer using the steps in [Removing dirt and debris from your computer on page 23](#), [Caring for wood veneer \(select products only\) on page 25](#), or both, you might also choose to clean the surfaces with a disinfectant. A disinfectant that is within HP's cleaning guidelines is an alcohol solution consisting of 70% isopropyl alcohol and 30% water. This solution is also known as rubbing alcohol and is sold in most stores.

Follow these steps when disinfecting high-touch, external surfaces on your computer:

1. Wear disposable gloves made of latex (or nitrile gloves, if you are latex-sensitive) when cleaning the surfaces.
2. Turn off your device and unplug the power cord and other connected external devices. Remove any installed batteries from items such as wireless keyboards.


---

 **CAUTION:** To prevent electric shock or damage to components, never clean a product while it is turned on or plugged in.


---

3. Moisten a microfiber cloth with a mixture of 70% isopropyl alcohol and 30% water. The cloth should be moist, but not dripping wet.

---

 **CAUTION:** Do not use any of the following chemicals or any solutions that contain them, including spray-based surface cleaners: bleach, peroxides (including hydrogen peroxide), acetone, ammonia, ethyl alcohol, methylene chloride, or any petroleum-based materials, such as gasoline, paint thinner, benzene, or toluene.


---

 **IMPORTANT:** To avoid damaging the surface, avoid abrasive cloths, towels, and paper towels.

---

4. Wipe the exterior of the product gently with the moistened cloth.

---

 **IMPORTANT:** Keep liquids away from the product. Avoid getting moisture in any openings. If liquid makes its way inside your HP product, it can cause damage to the product. Do not spray liquids directly

on the product. Do not use aerosol sprays, solvents, abrasives, or cleaners containing hydrogen peroxide or bleach that might damage the finish.

---

5. Start with the display (if applicable). Wipe carefully in one direction, and move from the top of the display to the bottom. Finish with any flexible cables, like power cord, keyboard cable, and USB cables.
6. Be sure that surfaces have completely air-dried before turning the device on after cleaning.
7. Discard the gloves after each cleaning. Clean your hands immediately after you remove the gloves.

## Caring for wood veneer (select products only)

Your product might feature high-quality wood veneer. As with all natural wood products, proper care is important for best results over the life of the product. Because of the nature of natural wood, you might see unique variations in the grain pattern or subtle variations in color, which are normal.

- Clean the wood with a dry, static-free microfiber cloth or chamois.
- Avoid cleaning products containing substances such as ammonia, methylene chloride, acetone, turpentine, or other petroleum-based solvents.
- Do not expose the wood to sun or moisture for long periods of time.
- If the wood becomes wet, dry it by dabbing with an absorbent, lint-free cloth.
- Avoid contact with any substance that might dye or discolor the wood.
- Avoid contact with sharp objects or rough surfaces that might scratch the wood.

See [Removing dirt and debris from your computer on page 23](#) for the recommended steps to clean the high-touch, external surfaces on your computer. After you remove the dirt and debris, you can also clean the surfaces with a disinfectant. See [Cleaning your computer with a disinfectant on page 24](#) for sanitizing guidelines to help prevent the spread of harmful bacteria and viruses.

## Packaging and transporting guidelines


Follow these grounding guidelines when packaging and transporting equipment:

- To avoid hand contact, transport products in static-safe tubes, bags, or boxes.
- Protect ESD-sensitive parts and assemblies with conductive or approved containers or packaging.
- Keep ESD-sensitive parts in their containers until the parts arrive at static-free workstations.
- Place items on a grounded surface before removing items from their containers.
- Always be properly grounded when touching a component or assembly.
- Store reusable ESD-sensitive parts from assemblies in protective packaging or nonconductive foam.
- Use transporters and conveyors made of antistatic belts and roller bushings. Be sure that mechanized equipment used for moving materials is wired to ground and that proper materials are selected to avoid static charging. When grounding is not possible, use an ionizer to dissipate electric charges.

## Accessing support information

To find the HP support that you need, use this information.

**Table 4-3 Support information locations**

Service consideration	Path to access information
Records of reported failure incidents stored on the computer	<p><b>Windows:</b></p> <p>Pre-operating system failures are logged in the BIOS Event Log. To view the BIOS Event Log:</p> <ol style="list-style-type: none"><li>1. Press the power button.</li><li>2. Immediately and repeatedly press <code>esc</code> when the power button light turns white.</li></ol> <p><b>NOTE:</b> If you do not press <code>esc</code> at the appropriate time, you must restart the computer and again repeatedly press <code>esc</code> when the power button light turns white to access the utility.</p> <ol style="list-style-type: none"><li>3. Press <code>f10</code> to enter the BIOS setup.</li><li>4. (On commercial products) Under the <b>Main</b> tab, select <b>BIOS event log</b>, and then select <b>View BIOS Event Log</b>.</li></ol> <p>- or -</p> <p>(On consumer products) Under the <b>Main</b> tab, select <b>System Log</b>.</p> <p>Post-operating system failures are logged in the Event Viewer.</p> <ol style="list-style-type: none"><li>1. Turn on the computer and allow the operating system to open.</li><li>2. Select the search icon  in the taskbar.</li><li>3. Type <code>Event Viewer</code>, and then press <code>enter</code>.</li><li>4. Select the log from the left panel. Details display in the right panel.</li></ol> <p><b>Chrome:</b></p> <ol style="list-style-type: none"><li>1. Go to <a href="https://support.google.com/chrome">support.google.com/chrome</a>.</li><li>2. Search <code>collect Chrome device logs</code>.</li></ol>
Technical bulletins	<p>To locate technical bulletins:</p> <ol style="list-style-type: none"><li>1. Go to <a href="https://www.hp.com">www.hp.com</a>.</li><li>2. Place the cursor over <b>Problem solving</b> to display more options.</li><li>3. Select <b>Support &amp; Troubleshooting</b>.</li><li>4. Type the serial number, product number, or product name to go to the product support page.</li><li>5. Select <b>Advisories</b> to view technical bulletins.</li></ol>
Repair professionals	<p>To locate repair professionals:</p> <ol style="list-style-type: none"><li>1. Go to <a href="https://www.hp.com">www.hp.com</a>.</li><li>2. Place the cursor over <b>Support resources</b> to display more options.</li><li>3. Select <b>Authorized service providers</b>.</li></ol>


**Table 4-3 Support information locations (continued)**


Service consideration	Path to access information
Component and diagnosis information, failure detection, and required action	To locate diagnosis information and actions: <ol style="list-style-type: none"><li data-bbox="703 312 1190 336">1. Go to <a href="http://www.hp.com/go/techcenter/pcdiags">http://www.hp.com/go/techcenter/pcdiags</a>.</li><li data-bbox="703 363 922 386">2. Select <b>Get Support</b>.</li><li data-bbox="703 413 1406 457">3. Near the bottom of the window, select <b>Notebook PCs</b>, and then select your location.</li></ol>

---

# 5 Removal and replacement procedures for authorized service provider parts

This chapter provides removal and replacement procedures for authorized service provider parts.


 **IMPORTANT:** Only an authorized service provider should access the components described in this chapter. Accessing these parts can damage the computer or void the warranty.

 **NOTE:** Details about your computer, including model, serial number, product key, and length of warranty, are on the service tag at the bottom of your computer.

---

## Component replacement procedures

To remove and replace computer components, use the procedures described in this section.

 **NOTE:** HP continually improves and changes product parts. For complete and current information about supported parts for your computer, go to <http://partsurfer.hp.com>, select your country or region, and then follow the on-screen instructions.

---

Make special note of each screw size and location during removal and replacement.

## Preparation for disassembly

To remove and replace computer components, use these procedures:

For initial safety procedures, see [Removal and replacement procedures preliminary requirements on page 19](#).

1. Turn off the computer. If you are unsure whether the computer is off or in Hibernation, turn the computer on, and then shut it down through the operating system.
2. Disconnect the power from the computer by unplugging the power cord from the computer.
3. Disconnect all external devices from the computer.

## Bottom cover

To remove the bottom cover, use this procedure and illustration.

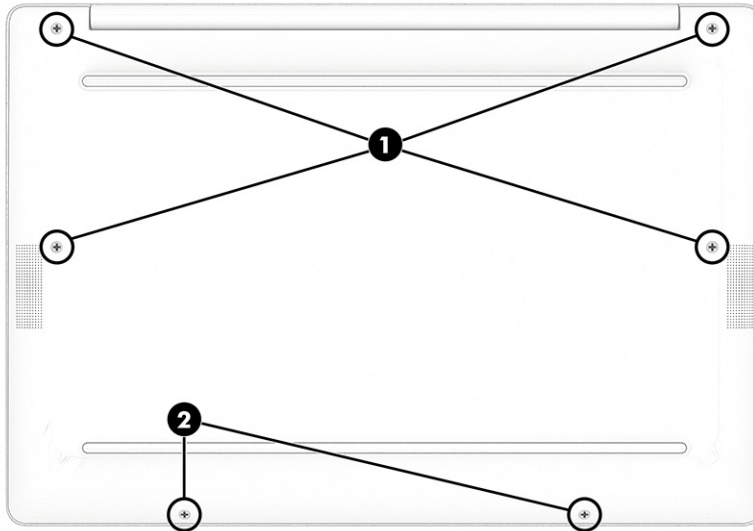
**Table 5-1** Bottom cover description and part number

Description	Spare part number
Bottom cover for use in models with WWAN	N12890-001
Bottom cover for use in models with WLAN	N12891-001

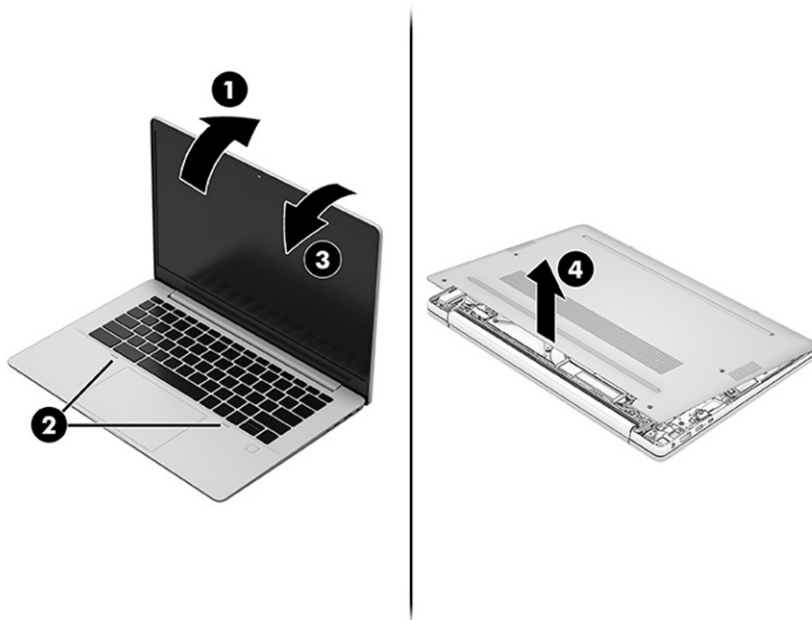
Before removing the bottom cover, prepare the computer for disassembly (see [Preparation for disassembly on page 28](#)).

Remove the bottom cover:

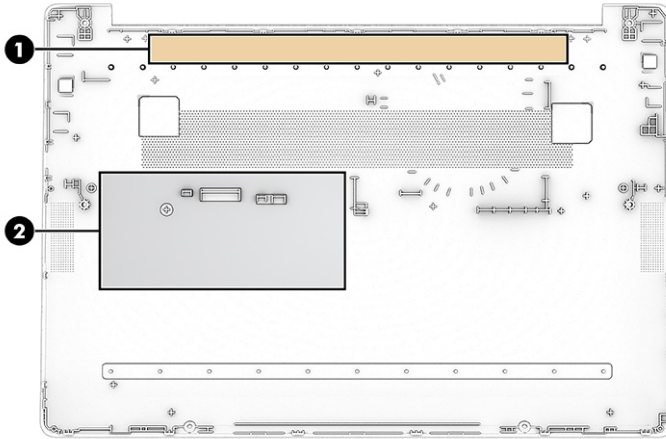
1. Remove the four Phillips M2.5 × 6.0 screws (1) from the top and the two Phillips M2.0 × 4.0 screws (2) from the bottom of the bottom cover.



2. Open the display to 90° (1).
3. While holding the bottom edge of the computer, place your thumbs on the top cover, below the keyboard and to the left and right of the touchpad (2), and then press and pull up to release the bottom cover.
4. Close the computer and place it upside down (3).
5. Pull the bottom cover off the computer by pulling up at the seam between the hinges (4).



- When replacing the bottom cover, make sure the gold metal strip (1) and silver rectangular foil (2) are installed and intact.



To replace the bottom cover, reverse the removal procedures.

## Battery

To remove the battery, use this procedure and illustration.

**Table 5-2 Battery description and part number**

Description	Spare part number
3 cell, 58 Whr, Li-ion battery	M12585-005
Battery bracket (available in the Bracket Kit)	N18576-001

**⚠ WARNING!** To avoid personal injury and damage to the product:

- Do *not* puncture, twist, or crack the battery.
- Do *not* cause an external puncture or rupture to the battery. Punctures can cause a short inside the battery, which can result in battery thermal runaway.
- Do *not* handle or touch the battery enclosure with sharp objects such as tweezers or pliers, which might puncture the battery.
- Do *not* compress or squeeze the battery case with tools or heavy objects stacked on top of the case. These actions can apply undue force to the battery.
- Do *not* touch the connectors with any metallic surface or object, such as metal tools, screws, or coins, which can cause shorting across the connectors.

Before removing the battery, follow these steps:

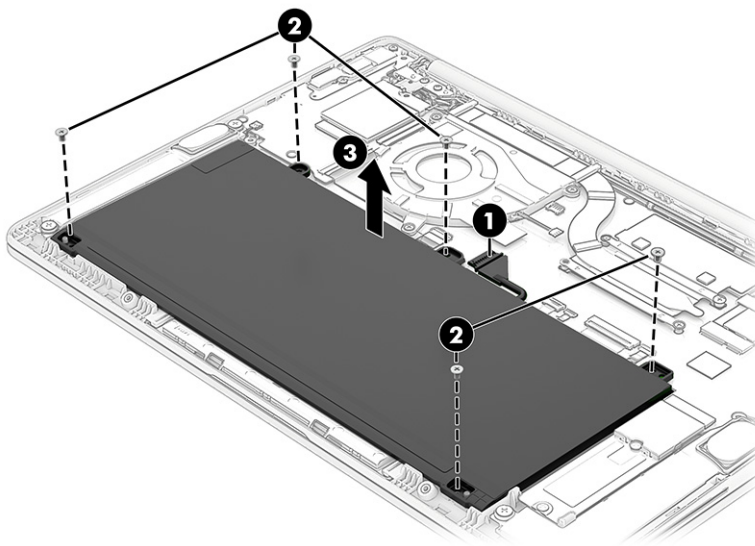
- Prepare the computer for disassembly (see [Preparation for disassembly on page 28](#)).
- Remove the bottom cover (see [Bottom cover on page 28](#)).

**⚠ WARNING!** To reduce potential safety issues, use only the user-replaceable battery provided with the computer, a replacement battery provided by HP, or a compatible battery purchased from HP.

**📌 IMPORTANT:** Removing a battery that is the sole power source for the computer can cause loss of information. To prevent loss of information, save your work or shut down the computer through Windows before you remove the battery.

Remove the battery:

1. Disconnect the battery cable from the system board (1).
2. Remove the five Phillips M2.0 × 4.0 screws (2) that secure the battery to the computer.
3. Remove the battery from the computer (3).



To replace the battery, reverse the removal procedures.

## Solid-state drive

To remove the solid-state drive, use this procedure and illustration.

**Table 5-3** Solid-state drive descriptions and part numbers

Description	Spare part number
512 GB	N17382-001
256 GB	N17381-001
128 GB	N17380-001
Solid-state drive bracket (available in the Bracket Kit)	N18576-001

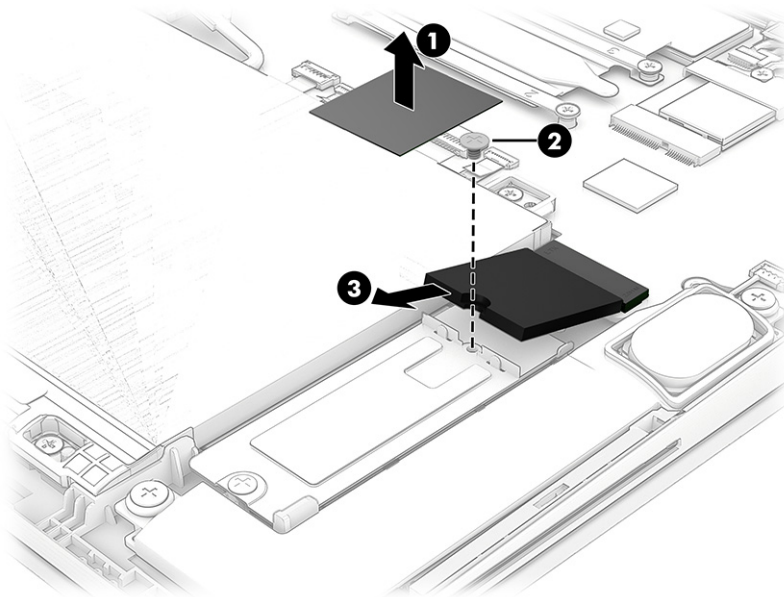
Before removing the solid-state drive, follow these steps:

1. Prepare the computer for disassembly (see [Preparation for disassembly on page 28](#)).
2. Remove the bottom cover (see [Bottom cover on page 28](#)).

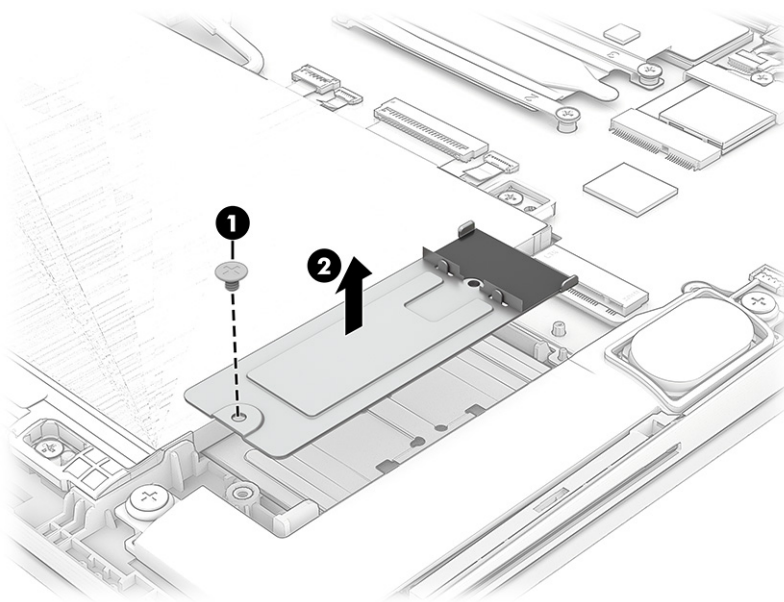
3. Disconnect the battery cable from the system board (see [Battery on page 30](#)).

Remove an M.2 2230 solid-state drive:

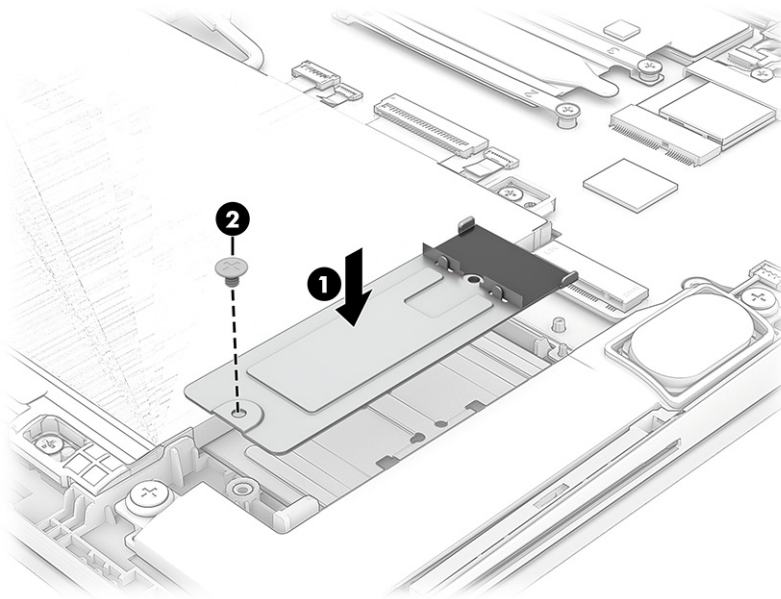
1. Peel the vinyl cover off the drive (1).
2. Remove the Phillips M2.0 × 2.0 screw (2) that secures the drive.
3. Pull the drive out of the socket (3).



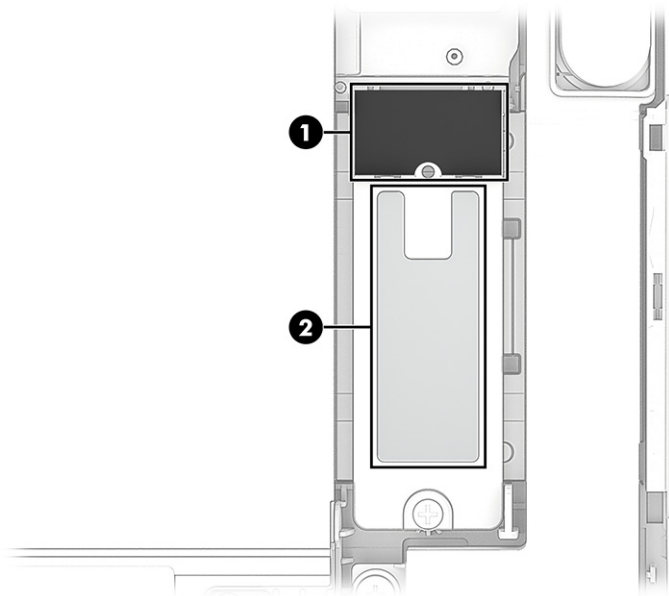
4. To replace an M.2 2230 drive with a M.2 2280 drive, remove the adapter bracket by removing the Phillips M2.0 × 2.0 screw (1) that secures the adapter bracket, and then removing the bracket (2). Install the new drive.




5. To replace an M.2 2280 drive with a M.2 2230 drive, install the adapter bracket by inserting the bracket into the solid-state drive bay (1), and then installing the screw (2). Install the new drive.



6. When installing a solid-state drive, be sure a thermal pad is installed on the drive. On M.2 2230 drives, install a thermal pad as shown by callout (1). On M.2 2280 drives, install a thermal pad as shown by callout (2).



To install the solid-state drive, reverse the removal procedures.

 **NOTE:** Solid-state drives are designed with a notch to prevent incorrect insertion.

## WLAN module

To remove the WLAN module, use this procedure and illustration.

**Table 5-4 WLAN module descriptions and part numbers**

Description	Spare part number
Qualcomm Fast Connect 6900 Wi-Fi 6E Bluetooth 5.2 WLAN	N17383-001
WLAN bracket (available in the Bracket Kit)	N18576-001

**IMPORTANT:** To prevent an unresponsive system, replace the wireless module only with a wireless module authorized for use in the computer by the governmental agency that regulates wireless devices in your country or region. If you replace the module and then receive a warning message, remove the module to restore device functionality, and then contact technical support.

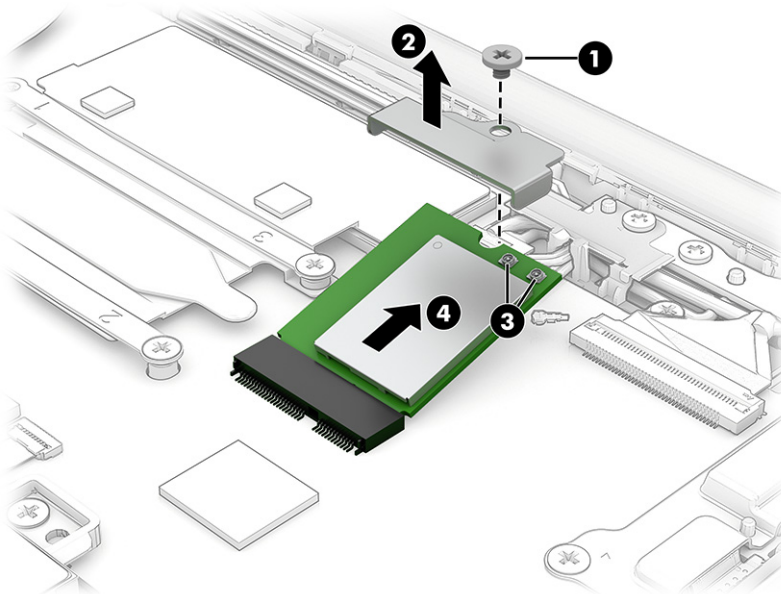
Before removing the WLAN module, follow these steps:

1. Prepare the computer for disassembly (see [Preparation for disassembly on page 28](#)).
2. Remove the bottom cover (see [Bottom cover on page 28](#)).
3. Disconnect the battery cable from the system board (see [Battery on page 30](#)).

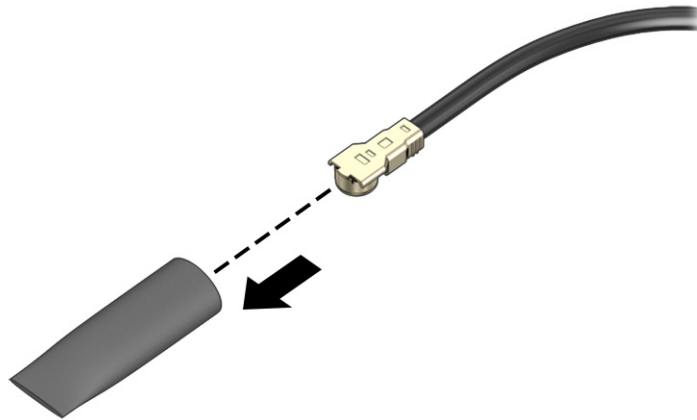
Remove the WLAN module:

1. Remove the Phillips M2.0 × 2.5 screw (1), and then remove the bracket from the module (2).
2. Carefully disconnect the antenna cables from the module (3).
3. Pull the module out of the socket to remove it (4).

**NOTE:** When connecting the antenna cables, be sure to match the number or letter on the cable with the appropriate connector on the module.



4. If the WLAN antenna is not connected to the terminal on the WLAN module, you must install a protective sleeve on the antenna connector, as shown in the following illustration.




To install the WLAN module, reverse this procedure.

## WWAN module

To remove the WWAN module, use this procedure and illustration.

**Table 5-5 WWAN module descriptions and part numbers**

Description	Spare part number
Intel XMM 7360 LTE-Advanced [Cat 9]	N13692-001

 **IMPORTANT:** To prevent an unresponsive system, replace the wireless module only with a wireless module authorized for use in the computer by the governmental agency that regulates wireless devices in your country or region. If you replace the module and then receive a warning message, remove the module to restore device functionality, and then contact technical support.


Before removing the WWAN module, follow these steps:

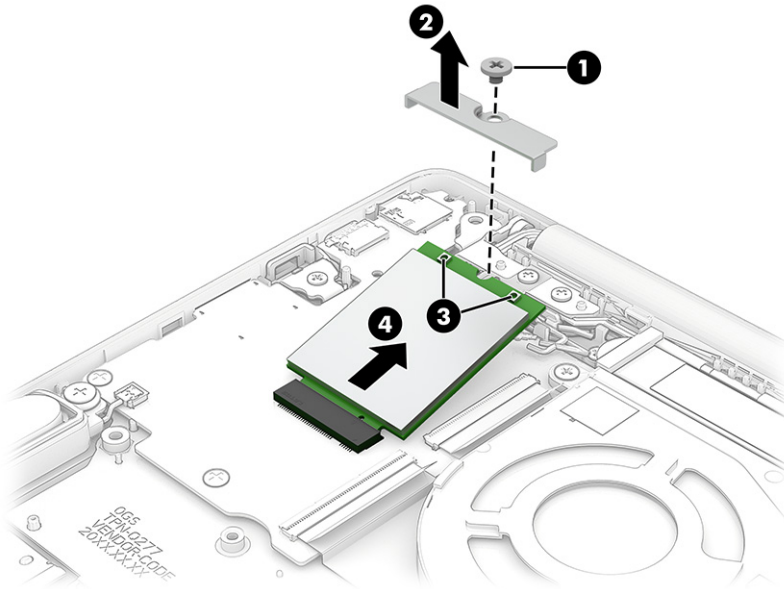
1. Prepare the computer for disassembly (see [Preparation for disassembly on page 28](#)).
2. Remove the bottom cover (see [Bottom cover on page 28](#)).
3. Disconnect the battery cable from the system board (see [Battery on page 30](#)).

Remove the WWAN module:

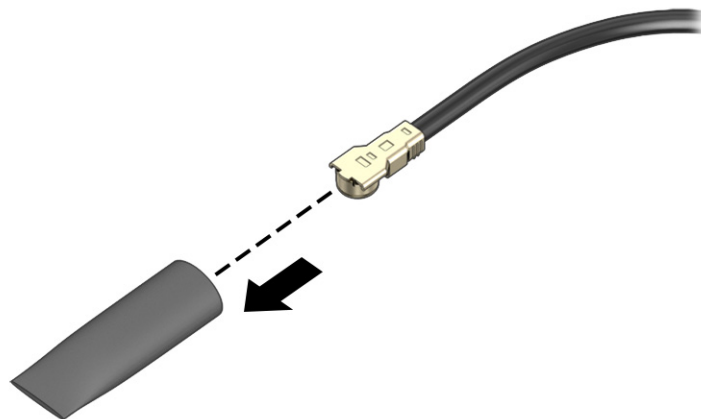
1. Remove the Phillips M2.0 × 2.5 screw **(1)**, and then remove the bracket from the module **(2)**.
2. Carefully disconnect the antenna cables from the module **(3)**.

3. Pull the module out of the socket to remove it (4).

 **NOTE:** When you look at the antenna terminals from the top of the module, the white WWAN antenna cable connects to the terminal to the left of the black WWAN antenna cables.



4. If the WWAN antenna is not connected to the terminal on the WWAN module, a protective sleeve must be installed on the antenna connector, as shown in the following illustration.



To install the WWAN module, reverse this procedure.

## Speakers

To remove the speakers, use this procedure and illustration.

**Table 5-6 Speaker description and part number**


Description	Spare part number
Speaker Kit	N12919-001

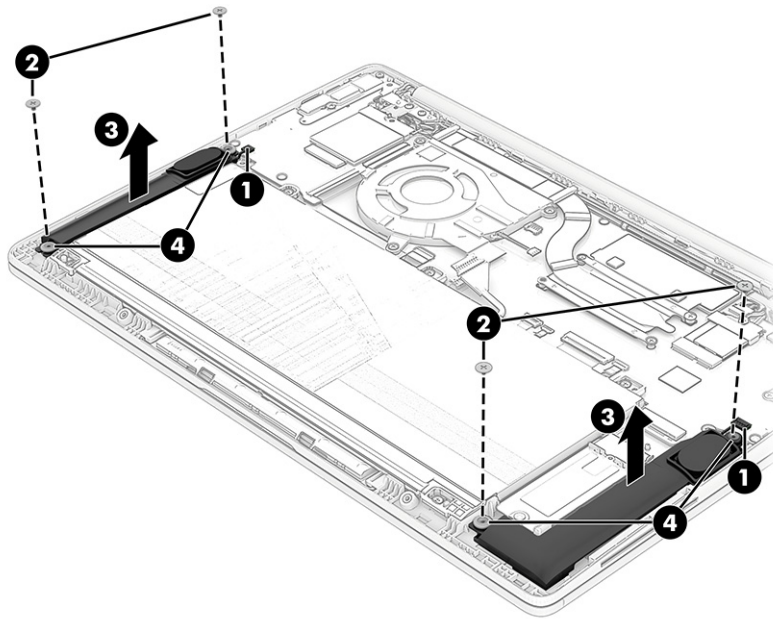
Before removing the speakers, follow these steps:

1. Prepare the computer for disassembly (see [Preparation for disassembly on page 28](#)).
2. Remove the bottom cover (see [Bottom cover on page 28](#)).
3. Disconnect the battery cable from the system board (see [Battery on page 30](#)).

Remove the speakers:

1. Disconnect the speaker cables from the system board (1).
2. Remove the two Phillips M2.0 × 5.0 screws from each speaker (2).
3. Remove the speakers from the computer (3).

 **NOTE:** When installing the speakers, be sure that the rubber washers (4) are installed with each screw.



To install the speaker, reverse this procedure.

## Fan

To remove the fan, use this procedure and illustration.

**Table 5-7 Fan description and part number**

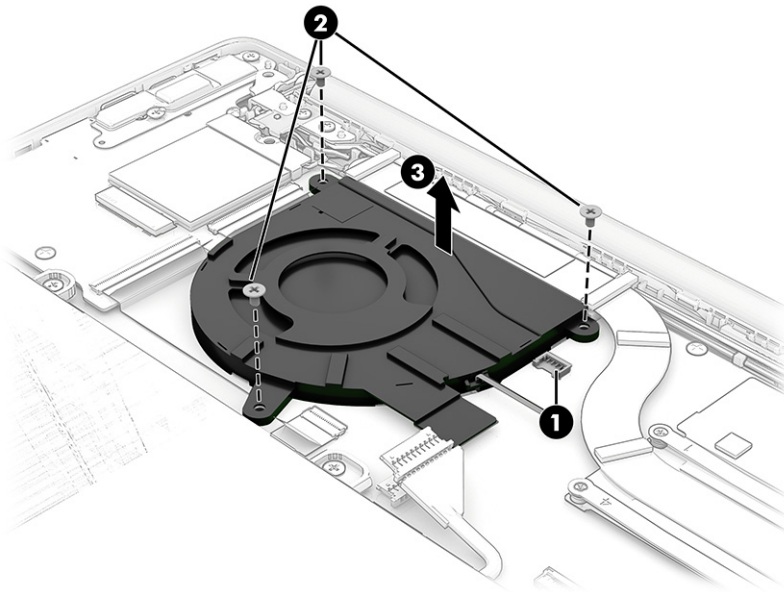
Description	Spare part number
Fan	N12918-001

Before removing the fan, follow these steps:

1. Prepare the computer for disassembly (see [Preparation for disassembly on page 28](#)).
2. Remove the bottom cover (see [Bottom cover on page 28](#)).
3. Disconnect the battery cable from the system board (see [Battery on page 30](#)).

Remove the fan:

1. Disconnect the fan cable from the system board (1).
2. Remove the three Phillips M2.0 × 3.0 screws (2) that secure the fan to the computer.
3. Remove the fan from the computer (3).



To install the fan, reverse this procedure.

## Touchpad

To remove the touchpad, use this procedure and illustration.

**Table 5-8 Touchpad description and part number**

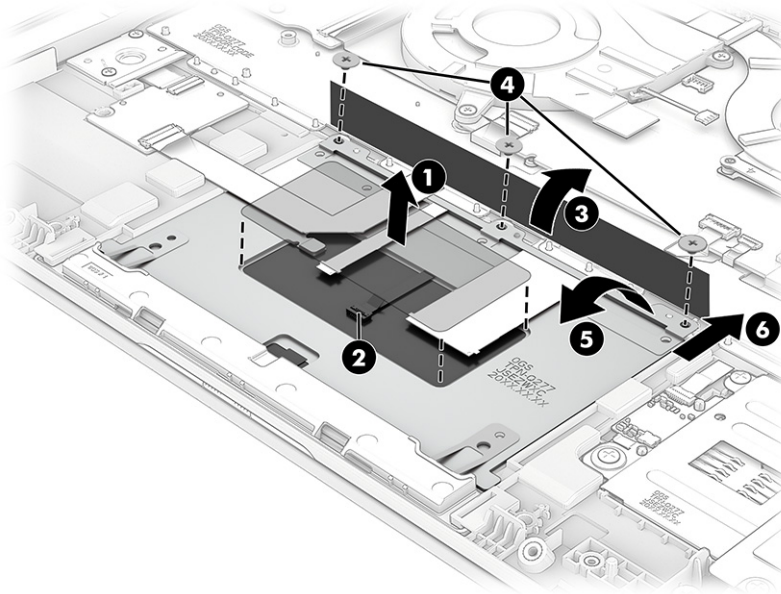
Description	Spare part number
Touchpad (includes bracket)	N12916-001
Touchpad cable with Mylar	N14811-001

Before removing the touchpad, follow these steps:

1. Prepare the computer for disassembly (see [Preparation for disassembly on page 28](#)).
2. Remove the bottom cover (see [Bottom cover on page 28](#)).
3. Remove the battery (see [Battery on page 30](#)).

Remove the touchpad:

1. Remove the clear plastic that covers the touchpad (1).
2. Disconnect the touchpad cable from the ZIF connector on the touchpad (2).
3. Lift the Mylar that covers the screws on the top of the touchpad (3).
4. Remove the three Phillips M2.0 × 2.0 screws (4) from the touchpad.
5. Lift the top of the touchpad up (5), and then pull it away from the bottom of the computer to remove it (6).



To install the touchpad, reverse this procedure.

## USB board

USB boards differ depending on whether the computer offers WWAN. To remove the USB board, use these procedures and illustrations.

**Table 5-9** USB board description and part number

Description	Spare part number
USB board for use in models with WWAN	N12908-001
USB board for use in models with WLAN	N12909-001
USB board cable for use in models with WWAN	N12910-001
USB board cable for use in models with WLAN	N12911-001
USB board bracket (available in the Bracket Kit)	N18576-001

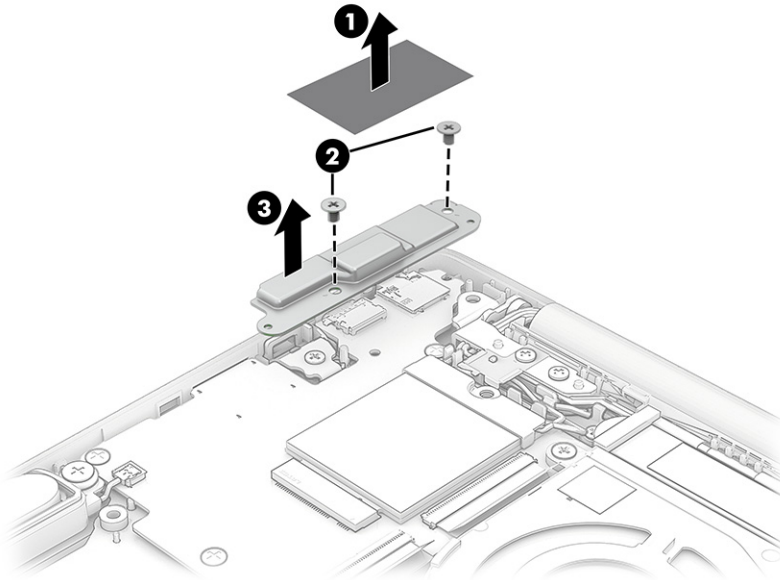
Before removing the USB board, follow these steps:

1. Prepare the computer for disassembly (see [Preparation for disassembly on page 28](#)).

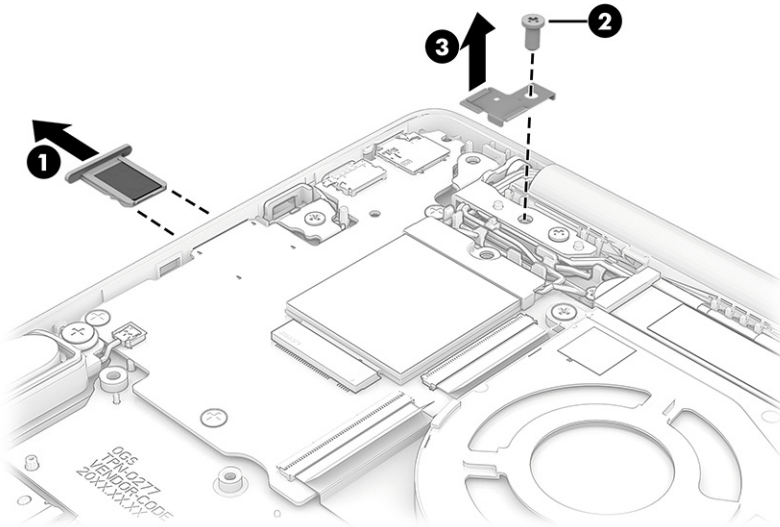
2. Remove the bottom cover (see [Bottom cover on page 28](#)).
3. Disconnect the battery cable from the system board (see [Battery on page 30](#)).

Remove the USB board:

1. If installed, remove the silver tape that covers the USB bracket (1).
2. Remove the two Phillips M2.0 × 3.0 screws (2) that secure the bracket, and then remove the bracket (3).




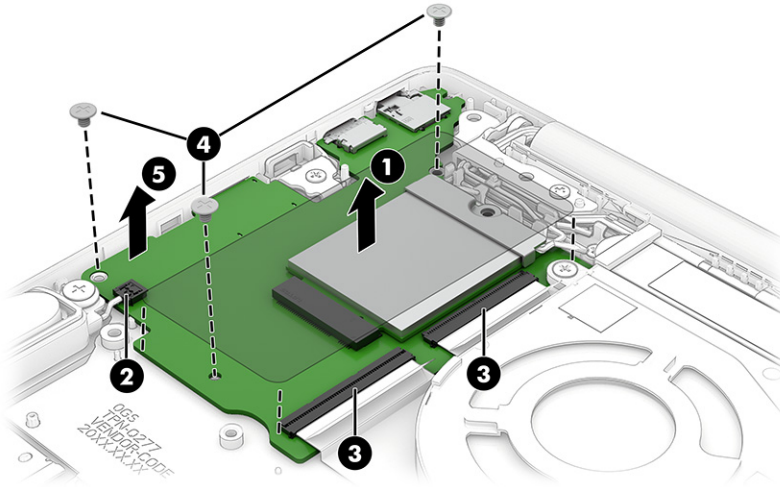
3. (WWAN models only) Remove the SIM card from the slot on the side of the computer (1).
4. Remove the Phillips M2.0 × 2.5 screw (2) that secures the metal clip, and then remove the clip (3).



5. Lift the clear plastic so you can access the connectors and screws on the USB board (1).
6. Disconnect the right speaker cable from the board (2).

7. Disconnect the cables from the reverse ZIF connectors on the board (3).
8. Remove the three Phillips M2.0 × 2.5 screws (4) that secure the board.
9. Remove the board from the computer (5).

 **NOTE:** Models with WWAN shown.



To install the USB board, reverse this procedure.

## Lock bracket

To remove the lock bracket, use this procedure and illustration.

**Table 5-10** Lock bracket description and part number

Description	Spare part number
Lock bracket (available in the Bracket Kit)	N18576-001

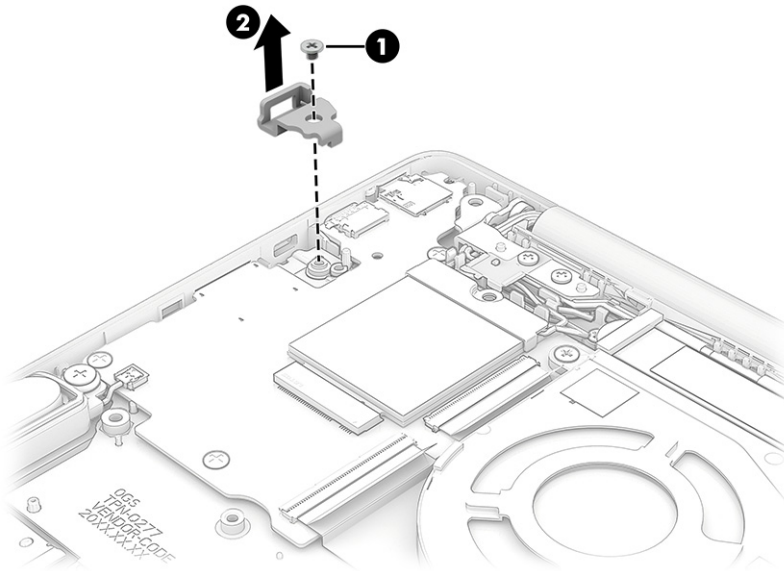
Before removing the lock bracket, follow these steps:

1. Prepare the computer for disassembly (see [Preparation for disassembly on page 28](#)).
2. Remove the bottom cover (see [Bottom cover on page 28](#)).
3. Disconnect the battery cable from the system board (see [Battery on page 30](#)).
4. Remove the USB board bracket (see [USB board on page 39](#)).

Remove the lock bracket:

1. Remove the Phillips M2.0 × 2.5 screw (1) that secures the bracket to the computer.

2. Remove the lock bracket from the computer (2).



To install the lock bracket, reverse this procedure.

## Card reader

To remove the card reader, use this procedure and illustration.

**Table 5-11** Card reader description and part number

Description	Spare part number
Card reader	N12914-001
Card reader cable	N18575-001
Card reader bracket (available in the Bracket Kit)	N18576-001
Card reader insert (available in the Miscellaneous Parts Kit)	N14812-001

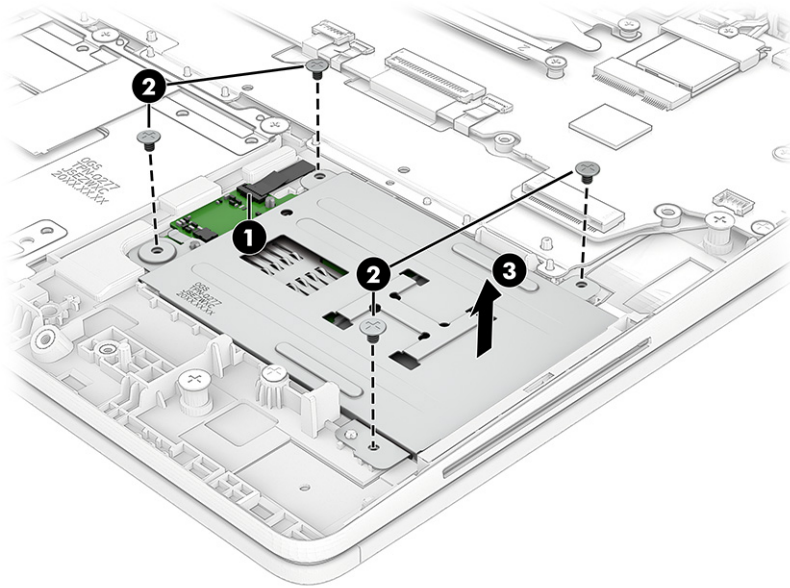
Before removing the card reader, follow these steps:

1. Prepare the computer for disassembly ([Preparation for disassembly on page 28](#)).
2. Remove the bottom cover (see [Bottom cover on page 28](#)).
3. Remove the battery (see [Battery on page 30](#)).

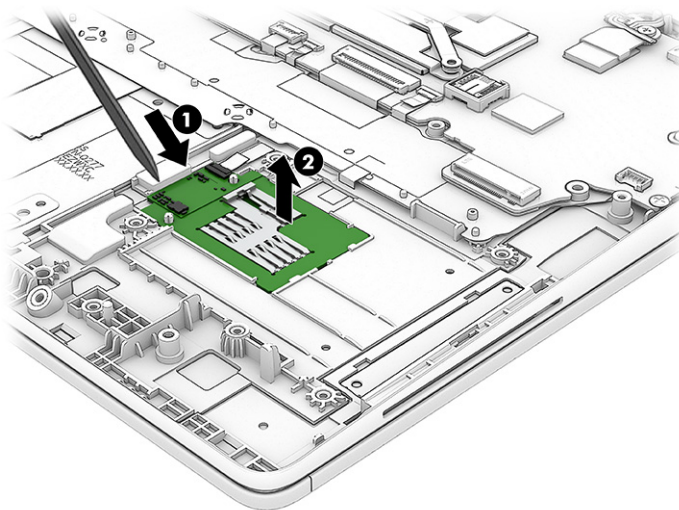
Remove the card reader:

1. Disconnect the cable from the ZIF connector on the card reader board (1).
2. Remove the four Phillips M2.0 × 3.0 screws (2) that secure the card reader bracket to the computer.

3. Remove the bracket from the computer (3).



4. Insert a tool under the card reader near the touchpad (1), and then lift to release the card reader from the computer (2).



To install the card reader, reverse this procedure.

## Fingerprint reader and board

To remove the fingerprint reader and board, use this procedure and illustration.

**Table 5-12** Fingerprint reader and board description and part number

Description	Spare part number
Fingerprint reader	N14814-001
Fingerprint reader board	N18574-001
Fingerprint reader cable	N18575-001

**Table 5-12 Fingerprint reader and board description and part number (continued)**

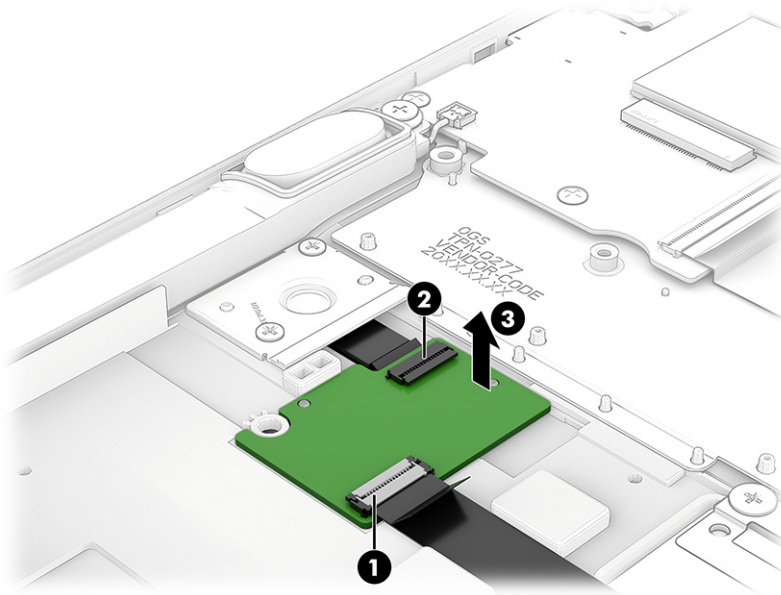
Description	Spare part number
Fingerprint reader bracket (available in the Bracket Kit)	N18576-001
Fingerprint reader insert (available in the Miscellaneous Parts Kit)	N14812-001

Before removing the fingerprint reader and board, follow these steps:

1. Prepare the computer for disassembly (see [Preparation for disassembly on page 28](#)).
2. Remove the bottom cover (see [Bottom cover on page 28](#)).
3. Remove the battery (see [Battery on page 30](#)).

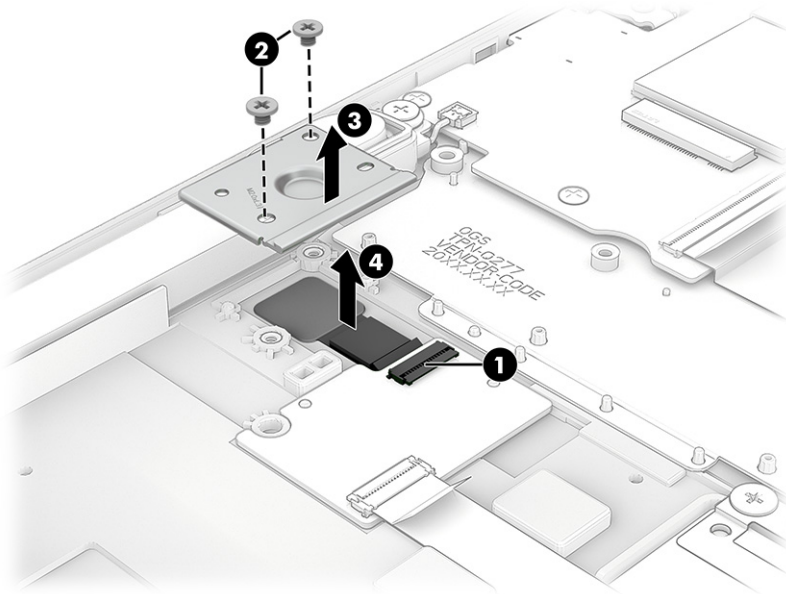
Remove the fingerprint reader and board:

1. Disconnect the cable from the ZIF connector on the right side of the fingerprint reader board (1).
2. Disconnect the cable from the ZIF connector on the left side of the board (2).
3. Remove the board from the computer (3).



4. Disconnect the cable from the ZIF connector on the fingerprint reader board (1).
5. Remove the two Phillips M2.0 × 2.0 screws (2) that secure the fingerprint reader bracket to the computer, and then remove the bracket (3).

6. Remove the fingerprint reader from the computer (4).



To install the fingerprint reader, reverse this procedure.

## Heat sink

To remove the heat sink, use these procedures and illustrations.

**Table 5-13** Heat sink descriptions and part numbers

Description	Spare part number
Heat sink	N12917-001

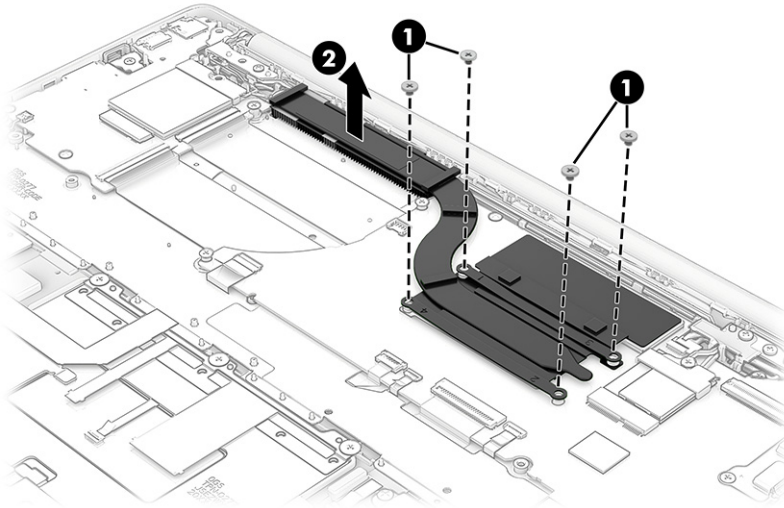
Before removing the heat sink, follow these steps:

1. Prepare the computer for disassembly (see [Preparation for disassembly on page 28](#)).
2. Remove the bottom cover (see [Bottom cover on page 28](#)).
3. Remove the battery (see [Battery on page 30](#)).

Remove the heat sink:

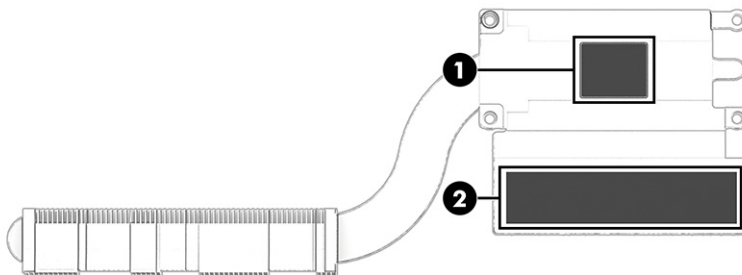
1. In the order indicated on the heat sink, remove the four Phillips M2.0 × 3.0 screws (1) that secure the heat sink to the system board.

2. Remove the heat sink (2).



3. Thoroughly clean the thermal material from the surfaces of the heat sink and the system board components each time the heat sink is removed. Replacement thermal material is included with the heat sink and system board spare part kits.

Thermal paste (1) and a thermal pad (2) are used on the heat sink.



To install the heat sink, reverse this procedure.

## System board

To remove the system board, use these procedures and illustrations.

**Table 5-14** System board descriptions and part numbers

Description	Spare part number
<b>System board</b> (includes processor)	
<b>NOTE:</b> The system board repair kit is available as spare part number N19985-888.	
The system board bracket is available in the Bracket Kit as spare part number N18576-001.	

**Table 5-14 System board descriptions and part numbers (continued)**

Description	Spare part number
For use in models without WWAN:	
• AMD Ryzen 7-5825C processor and 16 GB of system memory	N12896-001
• AMD Ryzen 5-5625C processor and 16 GB of system memory	N12893-001
• AMD Ryzen 5-5625C processor and 8 GB of system memory	N12895-001
• AMD Ryzen 5-5625C processor and 8 GB of system memory and 64 GB of eMMC storage	N12894-001
• AMD Ryzen 3-5425C processor and 8 GB of system memory and 64 GB of eMMC storage	N12892-001
For use in models with WWAN:	
• AMD Ryzen 7-5825C processor and 16 GB of system memory	N22020-001
• AMD Ryzen 5-5625C processor and 16 GB of system memory	N22017-001
• AMD Ryzen 5-5625C processor and 8 GB of system memory	N22018-001
• AMD Ryzen 5-5625C processor and 8 GB of system memory and 64 GB of eMMC storage	N22019-001
• AMD Ryzen 3-5425C processor and 8 GB of system memory and 64 GB of eMMC storage	N22016-001

Before removing the system board, follow these steps:

1. Prepare the computer for disassembly (see [Preparation for disassembly on page 28](#)).
2. Remove the bottom cover (see [Bottom cover on page 28](#)).
3. Remove the battery (see [Battery on page 30](#)).
4. Remove the fan (see [Fan on page 37](#)).

When you replace the system board, be sure to remove the following components (as applicable) from the defective system board and install them on the replacement system board:

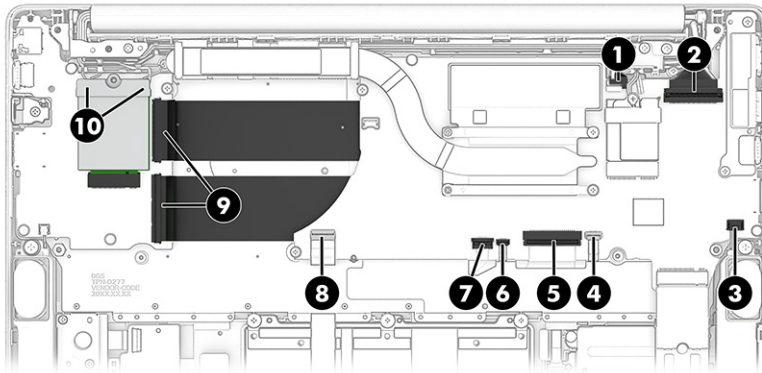
- Solid-state drive (see [Solid-state drive on page 31](#)).
- WLAN module (see [WLAN module on page 33](#)).
- Heat sink (see [Heat sink on page 45](#)).

Remove the system board:


1. Disconnect the following cables from the system board:
  - Camera cable (ZIF) **(1)**
  - Display cable (ZIF) **(2)**
  - Left speaker cable **(3)**
  - Card reader cable **(4)**
  - Keyboard cable (ZIF) **(5)**
  - Touchpad cable (ZIF) **(6)**

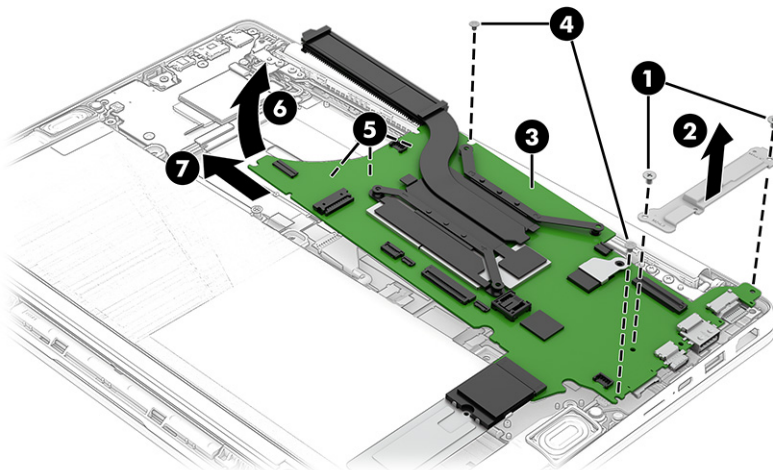
- Keyboard backlight cable (ZIF) **(7)** (select products only)
- Fingerprint reader cable (ZIF) **(8)** (select products only)
- USB cables (ZIF) from the USB board **(9)**
- Antenna cables from the WWAN module **(10)** (select products only)

 **NOTE:** System board and component appearance might vary.

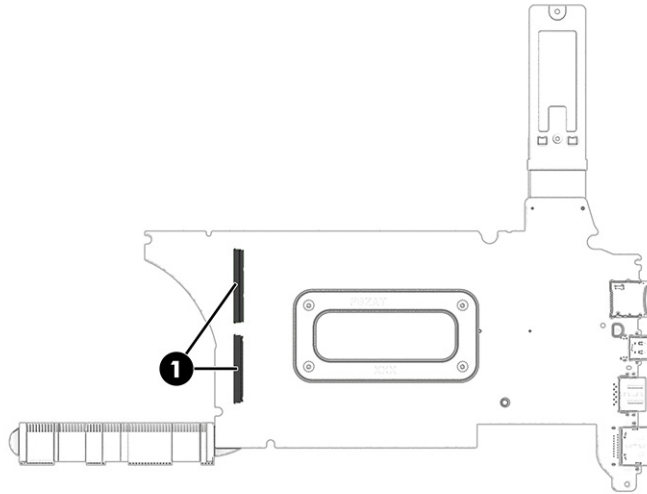


2. Remove the two Phillips M2.0 × 3.0 screws **(1)** from the bracket, and then remove the bracket **(2)**.
3. Remove the Mylar that covers the Phillips M2.0 × 2.5 screw at the top of the system board, and then remove the screw **(3)**.
4. Remove the two remaining Phillips M2.0 × 2.5 screws **(4)** that secure the system board to the computer.
5. Release the USB cables from the computer chassis **(5)**.
6. Lift the left side of system board **(6)**, and then pull the system board left and away from the connectors to remove it from the computer **(7)**.

 **NOTE:** Models with WWAN shown.



7. To disconnect the USB cables from the system board, turn the board upside down and disconnect the cables **(1)**.



To install the system board, reverse this procedure.

## Display assembly

To remove and disassemble the display assembly, use these procedures and illustrations.



**NOTE:** The display assembly is spared at the subcomponent level. For display assembly spare part information, see the individual removal subsections.

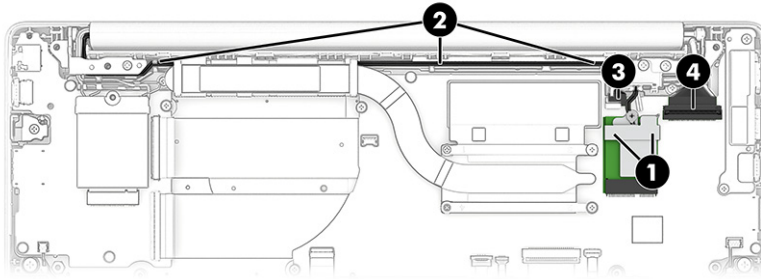
Before removing the display panel, follow these steps:

1. Prepare the computer for disassembly (see [Preparation for disassembly on page 28](#)).
2. Remove the bottom cover (see [Bottom cover on page 28](#)).
3. Remove the battery (see [Battery on page 30](#)).
4. Remove the WLAN module (see [WLAN module on page 33](#)).
5. Remove the heat sink (see [Heat sink on page 45](#)).

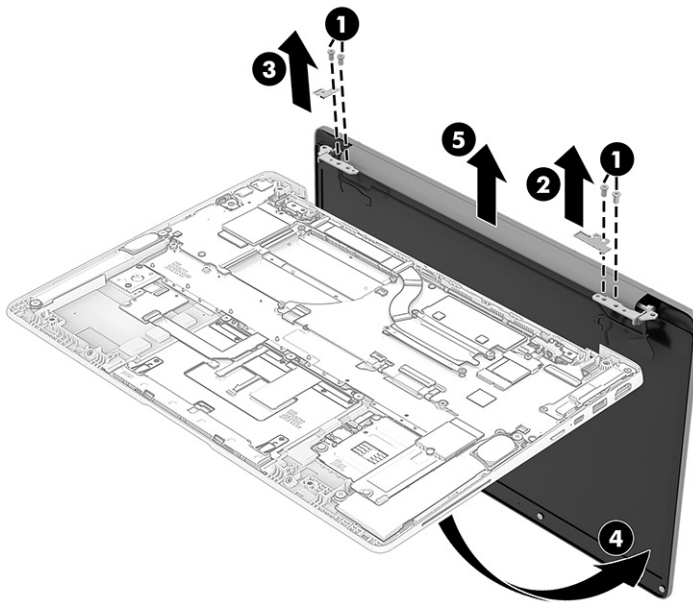
Remove the display assembly:

1. Disconnect the WLAN antenna cables **(1)** from the terminals on the WLAN module.
2. Remove the antenna cables **(2)** from the routing along the top of the computer.
3. Disconnect the camera cable from the system board **(3)**.
4. Disconnect the display cable from the ZIF connector on the system board **(4)**.

5. (Models with WWAN) Disconnect the WWAN antenna cables from the terminals on the WWAN module.



6. Remove the four Phillips M2.5 × 4.5 screws (1) that secure the display assembly to the computer.
7. Remove the clip from the left hinge (2).
8. Remove the clip from the right hinge (3).
9. Open the display to 90° to open the hinges (4).
10. Separate the display from the computer (5).



11. To remove the display bezel:
  - a. Release the top edge of the display bezel (1) from the display assembly.
  - b. Release the left and right edges of the display bezel (2) from the display assembly.
  - c. Release the bottom edge of the display bezel (3) from the display assembly.
  - d. Remove the display bezel (4) from the display assembly.



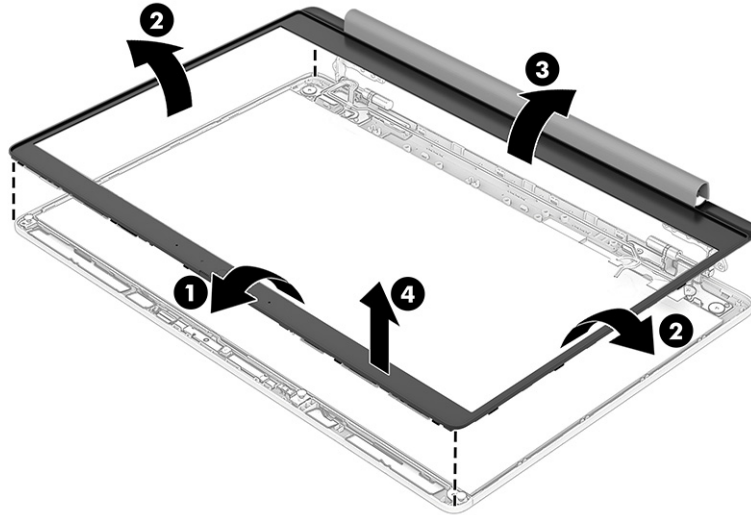
**NOTE:** All four sides of the bezel are secured with adhesive. The top and bottom also have hooks to secure the bezel.

Display adhesive is available in the Adhesive Kit as spare part number M17753-001.

The bezel is available as the following spare part numbers:

N12924-001: Privacy models

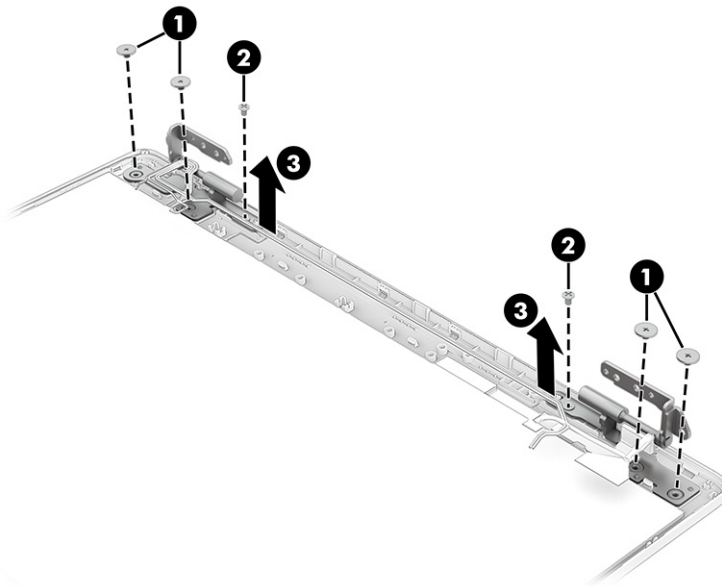
N12925-001: Nonprivacy models



**12.** To remove the hinges from the display rear cover:

- a. Remove the two Phillips M2.5 × 2.5 broadhead screws (1) and the Phillips 2.5 × 3.0 screw (2) from each hinge.
- b. Remove the hinges from the display back cover (3).

The display hinges are available as spare part number N12927-001.



**13.** To remove the display panel:

- a. The display panel is secured to the display enclosure with tape that is installed under the left and right sides of the panel. To remove the panel, use tweezers to grasp the end of the tape (1). While turning the tweezers, wrap the tape around the tweezers (2) as you continue to pull the tape out from behind the display panel (3). You must pull the tape multiple times before it is completely removed.
- b. Rotate the display panel over and place it next to the display enclosure (4).



**NOTE:** Pull the tape out slowly and evenly to prevent it from breaking prematurely.

Display adhesive is available as spare part number N10449-001.

Display panels are available as the following spare part numbers:

N12897-001: FHD, 250 nits, touch-on panel (TOP)

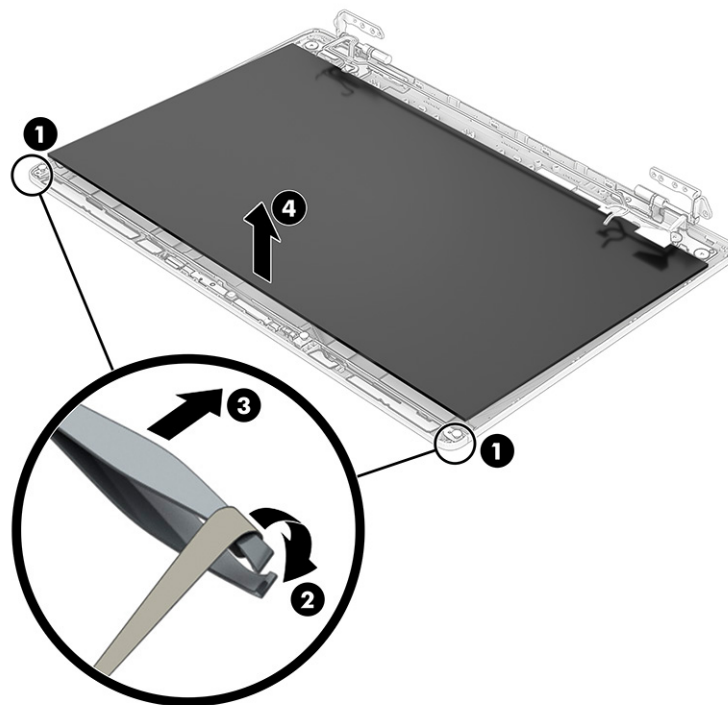
N12898-001: FHD, 250 nits

N22021-001: FHD, 250 nits, WWAN

N12899-001: FHD, 400 nits

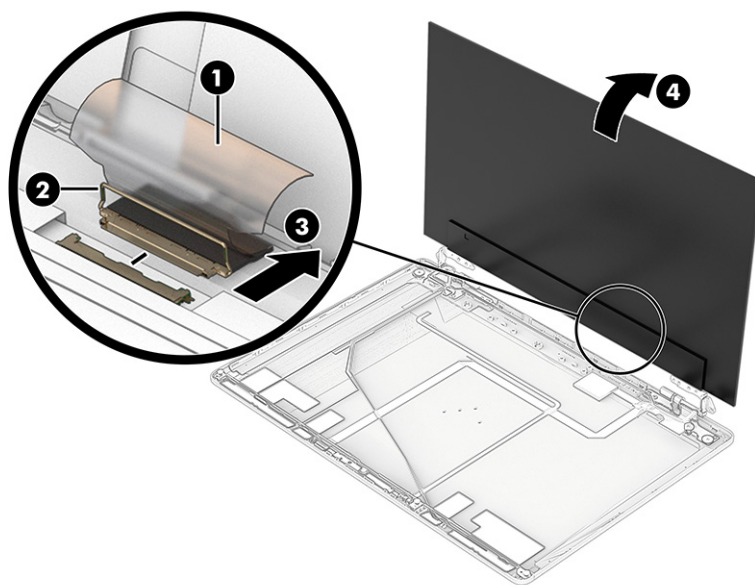
N12901-001: FHD, 1000 nits, privacy

N12900-001: HD, 250 nits

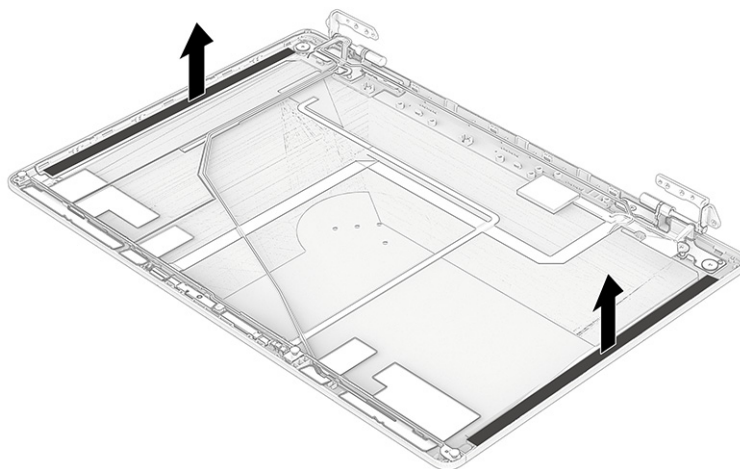


- c. Release the adhesive support strip (1) that secures the display panel cable connector to the display panel.
- d. Lift the retainer latch from the connector (2).
- e. Disconnect the cable (3) from the display panel, and remove the panel (4).

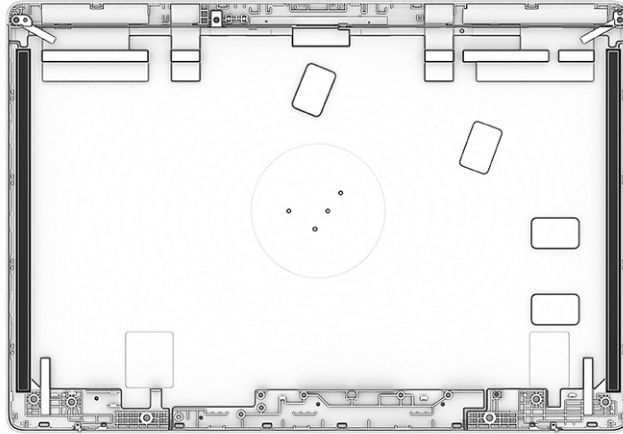
The display cable is available as spare part number N12926-001.



- f. Remove the Mylar strips from each side of the inside of the display back cover. The replacement spare part includes these strips.

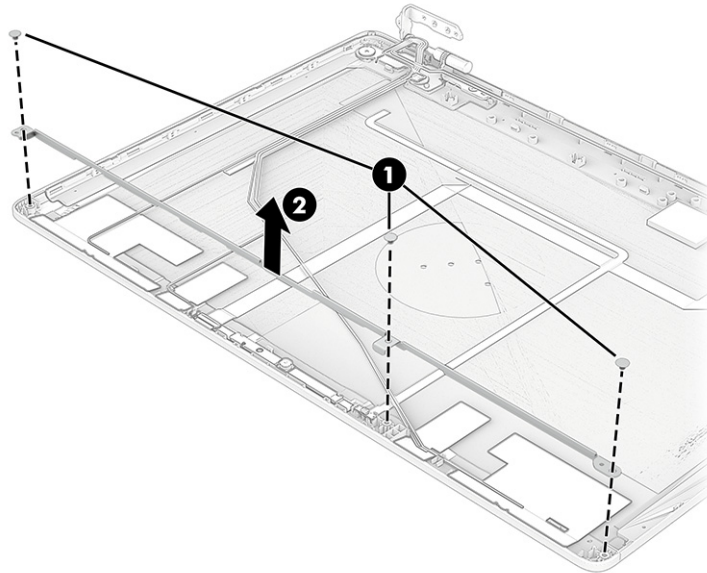


- g.** When installing a display panel, be sure to install the Mylar and the adhesive strips along the right and left sides of the inside of the display back cover as shown in the following illustration.



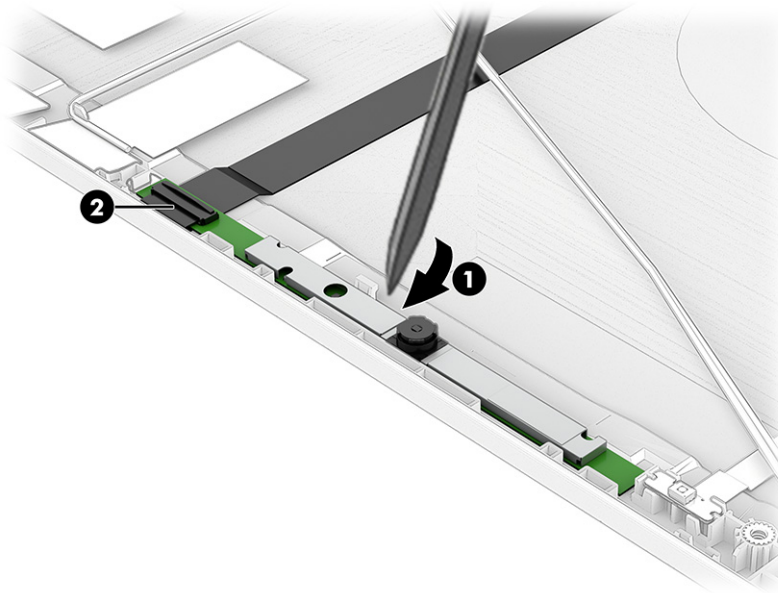
**14.** To remove the camera module:

- a.** Remove the three Phillips M2.0 × 2.0 screws (1) from the top bracket, and then remove the bracket from the display back cover (2).

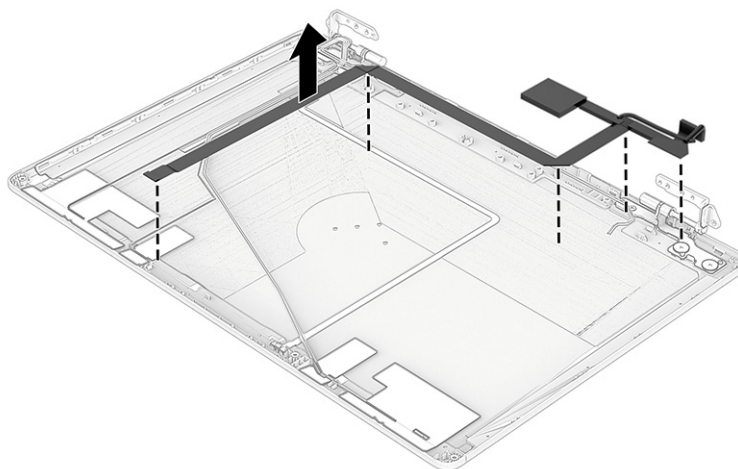


- b.** Use a tool to detach the camera module (1) from the display back cover. (The module is attached with double-sided adhesive.) Note that the camera routes under the camera so that you must remove the camera before you can disconnect the cable.
- c.** Disconnect the cable from the module (2). Note that the camera routes under the camera.

The camera module is available as spare part number N12929-001.

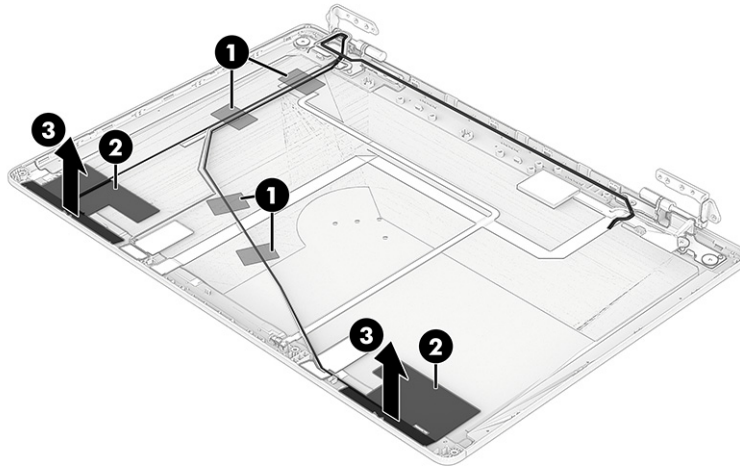


15. To remove the camera cable, peel the cable off the inside of the display back cover.  
The camera cable is available as spare part number N10434-001.



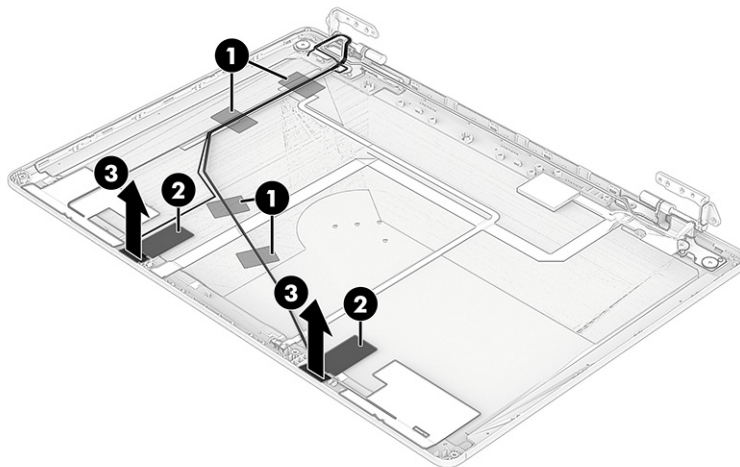
16. To remove the WWAN antennas and cables, release the cables from the retention clips on the inside of the display back cover (1), peel the wireless antennas (2) off the display back cover, and then remove them (3).

The WWAN cables and antennas are available as spare part number N12922-001.



17. To remove the WLAN antennas and cables, release the cables from the retention clips on the inside of the display back cover (1), peel the wireless antennas (2) off the display back cover, and then remove them (3).

The WLAN cables and antennas are available as spare part number N12923-001.



Display back covers are available as the following spare part numbers:

N12902-001: Models without WWAN and a 250 nit panel

N12903-001: Models without WWAN and a privacy panel

N12904-001: Models without WWAN and a 400 nit panel

N12905-001: Models with WWAN and a 250 nit panel

N12906-001: Models with WWAN and a privacy panel

N12907-001: Models with WWAN and a 400 nit panel

To reassemble and replace the display assembly, reverse this procedure.

## Top cover with keyboard

The top cover with keyboard remains after removing all other spare parts from the computer. The first table provides the main spare part number for the top cover with keyboards. The second table provides the keyboard country codes.

**Table 5-15 Top cover with keyboard descriptions and part numbers**

Description	Spare part number
Top cover with keyboard, backlit, WWAN models	N15102-xx1
Top cover with keyboard, backlit, privacy, WWAN models	N15106-xx1
Top cover with keyboard, backlit, models without WWAN	N15104-xx1
Top cover with keyboard, backlit, privacy, models without WWAN	N15103-xx1
Top cover with keyboard, not backlit, models without WWAN	N15105-xx1

**Table 5-16 Spare part country codes**

For use in country or region	Spare part number	For use in country or region	Spare part number	For use in country or region	Spare part number
Belgium	-A41	Iceland	-DD1	Slovenia	-BA1
Brazil	-201	India	-D61	South Korea	-AD1
Bulgaria	-261	Israel	-BB1	Spain	-071
Chile	-161	Italy	-061	Switzerland	-BG1
Czech Republic/Slovakia	-FL1	Japan	-291	Taiwan	-AB1
Denmark, Finland, and Norway	-DH1	The Netherlands	-B31	Thailand	-281
French Canada	-DB1	Northern Africa	-FP1	Turkey	-141
France	-051	Portugal	-131	Ukraine	-BD1
Germany	-041	Romania	-271	United Kingdom	-031
Greece	-151	Russia	-251	United States	-001
Hungary	-211	Saudi Arabia	-171		

---

## 6 Backing up, resetting, and recovering

This chapter provides information about the standard procedures of backing up your personal data, resetting your computer to original factory conditions, and recovering your operating system with the Chromebook Recovery Utility.

### Backing up

You can back up your data to an optional USB flash drive or SD memory card or through Google Drive™.

For detailed information about creating a backup, go to <http://www.support.google.com>.

### Resetting

A factory reset erases the information on your computer hard drive, including files in the Downloads folder. Before you reset, back up your files to an optional USB flash drive, to an SD memory card, or through Google Drive. The factory reset will not delete your files at these locations.

You might want to reset your computer in the following circumstances:

- You see the message "Reset this Chrome device."
- You are having problems with your user profile or settings.
- You restarted your computer, and it still doesn't work properly.
- You want to change the owner of your computer.

To reset your computer:

1. Under the **Settings** menu, select **Advanced**.
2. In the **Powerwash** section, select **Powerwash**.
3. Select **Restart**.
4. In the window that appears, select **Powerwash**, and then select **Continue**.
5. Follow the on-screen instructions to reset your computer, and sign in with your Google Account.



---


**NOTE:** The account you sign in with after you reset your computer is recognized as the owner account.


6. After you complete the reset, you can set up your computer and check to see whether the problem is fixed.

### Recovering

When your Chrome OS™ doesn't work properly, you can perform a recovery. A recovery reinstalls the operating system, software programs, and original factory settings. It deletes locally saved files and saved networks for all accounts. A system recovery does not affect Google Accounts and data synced to Google Drive.

---

 **IMPORTANT:** Recovery permanently erases everything on your computer hard drive, including your downloaded files. If possible, back up your files before you recover your computer.

 **NOTE:** For more information about performing a system recovery on your computer, go to <http://www.support.google.com>.

---

Before you begin the recovery process, you need the following prerequisites:

- A USB flash drive or SD memory card with a capacity of 4 GB or greater. All data is erased from this storage device when the recovery media is created, so back up all files from the device before you begin.
- A computer with internet access. You must also have administrative rights to the computer.
- Computer AC adapter. The computer must be plugged into AC power during recovery.
- The “Chrome OS is missing or damaged” screen displaying on your computer. If this message is not already displayed:
  - Turn on the computer, press and hold the **esc+f3** keys, and then press the power button. The computer restarts, and the screen shows the “Chrome OS is missing or damaged” screen.

## Installing the Chromebook Recovery Utility

The Chromebook™ Recovery Utility recovers the original operating system and software programs that were installed at the factory. You can install this utility from the Chrome Web Store on any computer.

To install the Chromebook Recovery Utility:

- Open the Chrome Web Store, search for `chrome recovery`, select **Chromebook Recovery Utility** from the Apps list, and follow the on-screen instructions.

## Creating recovery media

You can use recovery media to recover the original operating system and software programs that were installed at the factory.

To create recovery media:

1. Turn on a computer that has internet access.


---

 **NOTE:** You must have administrative rights to the computer.

---

2. Select the **Launcher** icon, and then select **All Apps**.
3. In the Apps window, select **Recovery**, and then select **Get started**.
4. Follow the on-screen instructions to create the recovery media.

---

 **NOTE:** All data and partitions on your recovery media will be deleted. Do not remove the USB flash drive or SD memory card until the process is complete.

---

## Recovering the Chrome operating system

Use these instructions to recover the Chrome operating system on your computer using the recovery media that you created.

1. Disconnect any external devices connected to your computer, plug in the power cord, and then turn on the computer.
2. To enter recovery mode, press and hold **esc+f3**, and then press the power button. When the “Chrome OS is missing or damaged” screen appears, insert the recovery media into your computer. The recovery process begins immediately.
3. Wait while Chrome verifies the integrity of the recovery media.



**NOTE:** If you need to cancel the recovery during the verification process, press and hold the power button until the computer turns off. Do not disrupt the system recovery process after the verification step is complete.



**NOTE:** If an error message is displayed, you might need to run the Chrome Recovery Utility again or use a different USB flash drive or SD memory card.

4. When the “System Recovery is complete” message appears, remove the recovery media.  
The computer restarts with Chrome OS reinstalled.

## Setting up your computer after a reset or recovery

After a reset or recovery is complete, perform the initial setup process.

For details about setting up the computer, go to <http://www.support.google.com>.

## Erasing and reformatting the recovery media

When you create recovery media, the USB flash drive or SD memory card is formatted as a recovery tool. After recovery, you must erase the recovery media to reuse your storage device. Follow these steps to use the Chromebook Recovery Utility to erase the recovery media.

1. Select the **Launcher** icon, and then select **All Apps**.
2. In the apps window, select **Recovery**.
3. Select the **Settings** icon, and then select **Erase recovery media**.
4. Select the USB flash drive or SD memory card that you inserted, select **Continue**, and then select **Erase now**.
5. After the recovery media is erased, select **Done** to close the Chromebook Recovery Utility, and then remove the USB flash drive or SD memory card.

The media is ready to be formatted using a formatting tool provided by your operating system.

# 7 Specifications

This chapter provides specifications for your computer system.

## Computer specifications

This section provides specifications for your computer. When traveling with your computer, the computer dimensions and weights, input power ratings, and operating specifications provide helpful information.

**Table 7-1 Computer specifications**

	Metric	U.S.
<b>Dimensions</b>		
Width	323.0 mm	12.7 in
Depth	221.0 mm	8.70 in
Height	19.9 mm	0.78 in
<b>Weight</b>		
	1540 g	3.40 lb
<b>Input power</b>		
Operating voltage and current	19.5 V dc @ 3.33 A – 65 W 19.5 V dc @ 2.31 A – 45 W	
<b>Temperature</b>		
Operating	5°C to 35°C	41°F to 95°F
Nonoperating	–20°C to 60°C	–4°F to 140°F
<b>Relative humidity (noncondensing)</b>		
Operating	10% to 90%	
Nonoperating	5% to 95%	
<b>Maximum altitude (unpressurized)</b>		
Operating	–15 m to 3,048 m	–50 ft to 10,000 ft
Nonoperating	–15 m to 12,192 m	–50 ft to 40,000 ft
<b>NOTE:</b> Applicable product safety standards specify thermal limits for plastic surfaces. The device operates well within this range of temperatures.		

## 35.6 cm (14.0 in) display specifications

This section provides specifications for your display.

**Table 7-2 Display specifications**

	Metric	U.S.
Active diagonal size	35.6 cm	14.0 in

**Table 7-2 Display specifications (continued)**

	Metric	U.S.
Resolution	1920 × 1080 (FHD)	
	1366 × 768 (HD)	
Surface treatment	Antiglare	
Brightness	1000 nits (privacy)	
	400 nits (100% sRGB)	
	250 nits	
Viewing angle	UWVA (FHD)	
	SVA (HD)	
Backlight	WLED	
Display panel interface	eDP	

## Solid-state drive specifications

This section provides specifications for your solid-state drives.

**Table 7-3 Solid-state drive specifications**

	256 GB*	512 GB*	1 TB*
<b>Dimensions</b>			
Height	1.0 mm	1.0 mm	1.0 mm
Length	50.8 mm	50.8 mm	50.8 mm
Width	28.9 mm	28.9 mm	28.9 mm
Weight	< 10 g	< 10 g	< 10 g
<b>Interface type</b>			
Ready time, maximum (to not busy)	1.0 ms	< 1.0 ms	1.0 ms
Access times, logical	0.1 ms	0.1 ms	0.1 ms
<b>Transfer rate</b>			
Sequential read	up to 2150 MBps	up to 2150 MBps	up to 2150 MBps
Random read	Up to 300,000 IOPs	Up to 300,000 IOPs	Up to 300,000 IOPs
Sequential write	up to 1550 MBps	up to 1550 MBps	up to 1550 MBps
Random write	Up to 100,000 IOPs	Up to 100,000 IOPs	Up to 100,000 IOPs
<b>Total logical sectors</b>	468,883,296	1,000,215,216	1,500,336,388
<b>Operating temperature</b>	<b>0°C to 70°C (32°F to 158°F)</b>		

\*1 GB = 1 billion bytes when referring to hard drive storage capacity. Actual accessible capacity is less. Actual drive specifications might differ slightly.

**NOTE:** Certain restrictions and exclusions apply. Contact support for details.

---

## 8 Statement of memory volatility


For general information regarding nonvolatile memory in HP business computers, and to restore nonvolatile memory that can contain personal data after the system has been turned off and the hard drive has been removed, use these instructions.

HP business computer products that use Intel®-based or AMD®-based system boards contain volatile DDR memory. The amount of nonvolatile memory present in the system depends upon the system configuration. Intel-based and AMD-based system boards contain nonvolatile memory subcomponents as originally shipped from HP, with the following assumptions:

- No subsequent modifications were made to the system.
- No applications, features, or functionality were added to or installed on the system.

Following system shutdown and removal of all power sources from an HP business computer system, personal data can remain on volatile system memory (DIMMs) for a finite period of time and also remains in nonvolatile memory. Use the following steps to remove personal data from the computer, including the nonvolatile memory found in Intel-based and AMD-based system boards.



---

 **NOTE:** If your tablet has a keyboard base, connect to the keyboard base before beginning steps in this chapter.


---

### Current BIOS steps

Use these instructions to restore nonvolatile memory.

1. Follow these steps to restore the nonvolatile memory that can contain personal data. Restoring or reprogramming nonvolatile memory that does not store personal data is neither necessary nor recommended.
  - a. Turn on or restart the computer, and then quickly press **esc**.
2.  **NOTE:** If the system has a BIOS administrator password, type the password at the prompt.
3.
  - b. Select **Main**, select **Apply Factory Defaults and Exit**, and then select **Yes** to load defaults. The computer restarts.
  - c. During the restart, press **esc** while the "Press the ESC key for Startup Menu" message is displayed at the bottom of the screen.
4.  **NOTE:** If the system has a BIOS administrator password, type the password at the prompt.
5.
  - d. Select the **Security** menu, select **Restore Security Settings to Factory Defaults**, and then select **Yes** to restore security level defaults. The computer reboots.
  - e. During the reboot, press **esc** while the "Press the ESC key for Startup Menu" message is displayed at the bottom of the screen.

---

 **NOTE:** If the system has a BIOS administrator password, type the password at the prompt.

---

- f. If an asset or ownership tag is set, select the **Security** menu and scroll down to the **Utilities** menu. Select **System IDs**, and then select **Asset Tracking Number**. Clear the tag, and then make the selection to return to the prior menu.
- g. If a DriveLock password is set, select the **Security** menu, and scroll down to **Hard Drive Utilities** under the **Utilities** menu. Select **Hard Drive Utilities**, select **DriveLock**, and then clear the check box for **DriveLock password on restart**. Select **OK** to proceed.
- h. Select the **Main** menu, and then select **Reset BIOS Security to factory default**. Select **Yes** at the warning message. The computer reboots.
- i. During the reboot, press **esc** while the "Press the ESC key for Startup Menu" message is displayed at the bottom of the screen.



---

**NOTE:** If the system has a BIOS administrator password, type the password at the prompt.

---

- j. Select the **Main** menu, select **Apply Factory Defaults and Exit**, select **Yes** to save changes and exit, and then select **Shutdown**.
  - k. Reboot the system. If the system has a Trusted Platform Module (TPM), fingerprint reader, or both, one or two prompts will appear—one to clear the TPM and the other to Reset Fingerprint Sensor. Press or tap **f1** to accept or **f2** to reject.
  - l. Remove all power and system batteries for at least 24 hours.
2. Complete one of the following:
- Remove and retain the storage drive.  
– or –
  - Clear the drive contents by using a third-party utility designed to erase data from an SSD.  
– or –
  - Clear the contents of the drive by using the following BIOS Setup Secure Erase command option steps:



---

**NOTE:** If you clear data using Secure Erase, you cannot recover it.

---


- a. Turn on or restart the computer, and then quickly press **esc**.
- b. Select the **Security** menu and scroll down to the **esc** menu.
- c. Select **Hard Drive Utilities**.
- d. Under **Utilities**, select **Secure Erase**, select the hard drive storing the data you want to clear, and then follow the on-screen instructions to continue.

– or –

Clear the contents of the drive using the following Disk Sanitizer commands steps:

- i. Turn on or restart the computer, and then quickly press **esc**.
- ii. Select the **Security** menu and scroll down to the **Utilities** menu.
- iii. Select **Hard Drive Utilities**.

- iv. Under **Utilities**, select **Disk Sanitizer**, select the hard drive with the data that you want to clear, and then follow the on-screen instructions to continue.

 **NOTE:** The amount of time it takes for Disk Sanitizer to run can take several hours. Plug the computer into an AC outlet before starting.

## Nonvolatile memory usage

Use this table to troubleshoot nonvolatile memory usage.

**Table 8-1** Troubleshooting steps for nonvolatile memory usage

Nonvolatile memory type	Amount (Size)	Does this memory store customer data?	Does this memory retain data when power is removed?	What is the purpose of this memory?	How is data entered into this memory?	How is this memory write-protected?
HP Sure Start flash (select models only)	8 MB	No	Yes	Provides protected backup of critical System BIOS code, EC firmware, and critical computer configuration data for select platforms that support HP Sure Start.  For more information, see <a href="#">Using HP Sure Start (select models only)</a> HP Sure Start on page 69.	Data cannot be written to this device via the host processor. The content is managed solely by the HP Sure Start Embedded Controller.	This memory is protected by the HP Sure Start Embedded Controller.
Real Time Clock (RTC) battery backed-up CMOS configuration memory	256 bytes	No	Yes	Stores system date and time and noncritical data.	RTC battery backed-up CMOS is programmed using Computer Setup (BIOS), or by changing the Windows date & time.	This memory is not write-protected.
Controller (NIC) EEPROM	64 KB (not customer accessible)	No	Yes	Stores NIC configuration and NIC firmware.	NIC EEPROM is programmed using a utility from the NIC vendor that can be run from DOS.	A utility must be used to write data to this memory and is available from the NIC vendor. Writing data to this ROM in an inappropriate manner will render the NIC nonfunctional.

**Table 8-1 Troubleshooting steps for nonvolatile memory usage (continued)**

Nonvolatile memory type	Amount (Size)	Does this memory store customer data?	Does this memory retain data when power is removed?	What is the purpose of this memory?	How is data entered into this memory?	How is this memory write-protected?
DIMM Serial Presence Detect (SPD) configuration data	256 bytes per memory module, 128 bytes programmable (not customer accessible)	No	Yes	Stores memory module information.	DIMM SPD is programmed by the memory vendor.	Data cannot be written to this memory when the module is installed in a computer. The specific write-protection method varies by memory vendor.
System BIOS	9 MB	Yes	Yes	Stores system BIOS code and computer configuration data.	System BIOS code is programmed at the factory. Code is updated when the system BIOS is updated. Configuration data and settings are entered using the Computer Setup (BIOS) or a custom utility.	<b>NOTE:</b> Writing data to this ROM in an inappropriate manner can render the computer nonfunctional.  A utility must be used for writing data to this memory and is available on the HP website; go to <a href="http://www.hp.com/support">http://www.hp.com/support</a> . Select <b>Find your product</b> , and then follow the on-screen instructions.
Intel Management Engine Firmware (present only in select Elite or Z models. For more information, go to <a href="http://www.hp.com/support">http://www.hp.com/support</a> .  Select <b>Identify your product for manuals and specific product information</b> , and then follow the on-screen instructions.)	1.5 MB or 7 MB	Yes	Yes	Stores Management Engine Code, Settings, Provisioning Data and iAMT third-party data store.	Management Engine Code is programmed at the factory. Code is updated via Intel secure firmware update utility. Unique Provisioning Data can be entered at the factory or by an administrator using the Management Engine (MEBx) setup utility. The third-party data store contents can be populated by a remote management console or local applications that have been registered by an administrator to have access to the space.	The Intel chipset is configured to enforce hardware protection to block all direct read-write access to this area. An Intel utility must be used for updating the firmware. Only firmware updates digitally signed by Intel can be applied using this utility.
Bluetooth flash (select products only)	2 megabits	No	Yes	Stores Bluetooth configuration and firmware.	Bluetooth flash is programmed at the factory. Tools for writing data to this memory are not publicly available but can be obtained from the silicon vendor.	A utility must be used for writing data to this memory and is made available through newer versions of the driver whenever the flash requires an upgrade.


**Table 8-1** Troubleshooting steps for nonvolatile memory usage (continued)

Nonvolatile memory type	Amount (Size)	Does this memory store customer data?	Does this memory retain data when power is removed?	What is the purpose of this memory?	How is data entered into this memory?	How is this memory write-protected?
802.11 WLAN EEPROM	4 kilobits to 8 kilobits	No	Yes	Stores configuration and calibration data.	802.11 WLAN EEPROM is programmed at the factory. Tools for writing data to this memory are not made public.	A utility must be used for writing data to this memory and is typically not made available to the public unless a firmware upgrade is necessary to address a unique issue.
Camera (select products only)	64 kilobits	No	Yes	Stores camera configuration and firmware.	Camera memory is programmed using a utility from the device manufacturer that can be run from Windows.	A utility must be used for writing data to this memory and is typically not made available to the public unless a firmware upgrade is necessary to address a unique issue.
Fingerprint reader (select products only)	512 KB flash	Yes	Yes	Stores fingerprint templates.	Fingerprint reader memory is programmed by user enrollment in HP ProtectTools Security Manager.	Only a digitally signed application can make the call to write to the flash.

## Questions and answers

Use this section to answer your questions about nonvolatile memory.

### 1. How can the BIOS settings be restored (returned to factory settings)?

 **IMPORTANT:** The restore defaults feature does not securely erase any information on your hard drive. See question and answer 6 for steps to securely erase information.

The restore defaults feature does not reset the Custom Secure Boot keys. See question and answer 7 for information about resetting the keys.

- Turn on or restart the computer, and then quickly press **esc**.
- Select **Main**, and then select **Apply Factory Defaults and Exit**.
- Follow the on-screen instructions.
- Select **Main**, select **Save Changes and Exit**, and then follow the on-screen instructions.

### 2. What is a UEFI BIOS, and how is it different from a legacy BIOS?

The Unified Extensible Firmware Interface (UEFI) BIOS is an industry-standard software interface between the platform firmware and an operating system (OS). It replaces the older BIOS architecture but supports much of the legacy BIOS functionality.

Like the legacy BIOS, the UEFI BIOS provides an interface to display the system information and configuration settings and to change the configuration of your computer before an OS is loaded. BIOS provides a secure runtime environment that supports a Graphic User Interface (GUI). In this environment, you can use either a pointing device (touch screen, touchpad, pointing stick, or USB mouse) or the keyboard to navigate and make menu and configuration selections. The UEFI BIOS also contains basic system diagnostics.

The UEFI BIOS provides functionality beyond that of the legacy BIOS. In addition, the UEFI BIOS works to initialize the computer's hardware before loading and executing the OS; the runtime environment allows the loading and execution of software programs from storage devices to provide more functionality, such as advanced hardware diagnostics (with the ability to display more detailed system information) and advanced firmware management and recovery software.

HP has provided options in Computer Setup (BIOS) to allow you to run in legacy BIOS, if required by the operating system. Examples of this requirement would be if you upgrade or downgrade the OS.

### 3. Where is the UEFI BIOS located?

The UEFI BIOS is located on a flash memory chip. You must use a utility to write to the chip.

### 4. What kind of configuration data is stored on the DIMM Serial Presence Detect (SPD) memory module? How would this data be written?


The DIMM SPD memory contains information about the memory module, such as size, serial number, data width, speed and timing, voltage, and thermal information. This information is written by the module manufacturer and stored on an EEPROM. You cannot write to this EEPROM when the memory module is installed in a computer. Third-party tools do exist that can write to the EEPROM when the memory module is not installed in a computer. Various third-party tools are available to read SPD memory.

### 5. What is meant by "Restore the nonvolatile memory found in Intel-based system boards"?

This message relates to clearing the Real Time Clock (RTC) CMOS memory that contains computer configuration data.

### 6. How can the BIOS security be reset to factory defaults and erase the data?

---

 **IMPORTANT:** Resetting results in the loss of information.

These steps do not reset Custom Secure Boot Keys. See question and answer 7 for information about resetting the keys.

---

- a. Turn on or restart the computer, and then quickly press **esc**.
- b. Select **Main**, and then select **Reset Security to Factory Defaults**.
- c. Follow the on-screen instructions.
- d. Select **Main**, select **Save Changes and Exit**, and then follow the on-screen instructions.

### 7. How can the Custom Secure Boot Keys be reset?

Secure Boot is a feature to ensure that only authenticated code can start on a platform. If you enabled Secure Boot and created Custom Secure Boot Keys, disabling Secure Boot does not clear the keys. You must also select to clear the Custom Secure Boot Keys. Use the same Secure Boot access procedure that you used to create the Custom Secure Boot Keys, but select to clear or delete all Secure Boot Keys.

- a. Turn on or restart the computer, and then quickly press **esc**.

- b. Select the **Security** menu, select **Secure Boot Configuration**, and then follow the on-screen instructions.
- c. At the **Secure Boot Configuration** window, select **Secure Boot**, select **Clear Secure Boot Keys**, and then follow the on-screen instructions to continue.

## Using HP Sure Start (select products only)

Select computer models are configured with HP Sure Start, a technology that continuously monitors your computer's BIOS for attacks or corruption.

If the BIOS becomes corrupted or is attacked, HP Sure Start restores the BIOS to its previously safe state, without user intervention. Those select computer models ship with HP Sure Start configured and enabled. HP Sure Start is configured and already enabled so that most users can use the HP Sure Start default configuration. Advanced users can customize the default configuration.

To access the latest documentation on HP Sure Start, go to <http://www.hp.com/support>.

# 9 Power cord set requirements

This chapter provides power cord requirements for countries and regions.

The wide-range input feature of the computer permits it to operate from any line voltage from 100 V ac to 120 V ac, or from 220 V ac to 240 V ac.

The three-conductor power cord set included with the computer meets the requirements for use in the country or region where the equipment is purchased.

Power cord sets for use in other countries or regions must meet the requirements of the country and region where the computer is used.

## Requirements for all countries

These power cord requirements are applicable to all countries and regions.

- The length of the power cord set must be at least **1.0 m** (3.3 ft) and no more than **2.0 m** (6.5 ft).
- All power cord sets must be approved by an acceptable accredited agency responsible for evaluation in the country or region where the power cord set will be used.
- The power cord sets must have a minimum current capacity of 10 A and a nominal voltage rating of 125 V ac or 250 V ac, as required by the power system of each country or region.
- The appliance coupler must meet the mechanical configuration of an EN 60 320/IEC 320 Standard Sheet C13 connector for mating with the appliance inlet on the back of the computer.

## Requirements for specific countries and regions

To determine power cord requirements for specific countries and regions, use this table.

**Table 9-1 Power cord requirements for specific countries and regions**

Country/region	Accredited agency	Applicable note number
Argentina	IRAM	1
Australia	SAA	1
Austria	OVE	1
Belgium	CEBEC	1
Brazil	ABNT	1
Canada	CSA	2
Chile	IMQ	1
Denmark	DEMKO	1
Finland	FIMKO	1
France	UTE	1
Germany	VDE	1

**Table 9-1 Power cord requirements for specific countries and regions (continued)**

Country/region	Accredited agency	Applicable note number
India	BIS	1
Israel	SII	1
Italy	IMQ	1
Japan	JIS	3
Netherlands	KEMA	1
New Zealand	SANZ	1
Norway	NEMKO	1
People's Republic of China	CCC	4
Saudi Arabia	SASO	7
Singapore	PSB	1
South Africa	SABS	1
South Korea	KTL	5
Sweden	SEMKO	1
Switzerland	SEV	1
Taiwan	BSMI	6
Thailand	TISI	1
United Kingdom	ASTA	1
United States	UL	2

1. The flexible cord must be Type H05VV-F, three-conductor, 0.75 mm<sup>2</sup> conductor size. Power cord set fittings (appliance coupler and wall plug) must bear the certification mark of the agency responsible for evaluation in the country or region where it will be used.
2. The flexible cord must be Type SVT/SJT or equivalent, No. 18 AWG, three-conductor. The wall plug must be a two-pole grounding type with a NEMA 5-15P (15 A, 125 V ac) or NEMA 6-15P (15 A, 250 V ac) configuration. CSA or C-UL mark. UL file number must be on each element.
3. The appliance coupler, flexible cord, and wall plug must bear a T mark and registration number in accordance with the Japanese Dentori Law. The flexible cord must be Type VCTF, three-conductor, 0.75 mm<sup>2</sup> or 1.25 mm<sup>2</sup> conductor size. The wall plug must be a two-pole grounding type with a Japanese Industrial Standard C8303 (7 A, 125 V ac) configuration.
4. The flexible cord must be Type RVV, three-conductor, 0.75 mm<sup>2</sup> conductor size. Power cord set fittings (appliance coupler and wall plug) must bear the CCC certification mark.
5. The flexible cord must be Type H05VV-F three-conductor, 0.75 mm<sup>2</sup> conductor size. KTL logo and individual approval number must be on each element. Approval number and logo must be printed on a flag label.
6. The flexible cord must be Type HVCTF three-conductor, 1.25 mm<sup>2</sup> conductor size. Power cord set fittings (appliance coupler, cable, and wall plug) must bear the BSMI certification mark.
7. For 127 V ac, the flexible cord must be Type SVT or SJT 3-conductor, 18 AWG, with plug NEMA 5-15P (15 A, 125 V ac), with UL and CSA or C-UL marks. For 240 V ac, the flexible cord must be Type H05VV-F three-conductor, 0.75 mm<sup>2</sup> or 1.00 mm<sup>2</sup> conductor size, with plug BS 1363/A with BSI or ASTA marks.

---

## 10 Recycling

When a nonrechargeable or rechargeable battery has reached the end of its useful life, do not dispose of the battery in general household waste. Follow the local laws and regulations in your area for battery disposal.

HP encourages customers to recycle used electronic hardware, HP original print cartridges, and rechargeable batteries. For more information about recycling programs, see the HP website at <http://www.hp.com/recycle>.

---

# Index

## A

- AC adapter light 3, 5
- AC adapters, spare part numbers 16
- action keys
  - identifying 8
- ambient light sensor, identifying 6
- audio-in (microphone) jack, identifying 4
- audio-out (headphone) jack, identifying 4
- audio, product description 2

## B

- backing up 58
- battery
  - illustrated 14
  - light 3, 5
  - spare part number 14
- Bluetooth label 10
- bottom cover
  - illustrated 14
  - removal 28
  - spare part number 14, 28

## C

- camera 6
  - identifying 6
  - illustrated 15
  - spare part number 15
- camera light, identifying 7
- camera privacy cover, identifying 7
- card reader
  - removal 42
  - spare part numbers 42
- caring for your computer 23
- cautions
  - electrostatic discharge 19, 20
- Chromebook Recovery Utility, installing 59
- cleaning your computer 23
  - caring for wood veneer 25
  - disinfecting 24
  - HP Easy Clean 23
  - removing dirt and debris 23
- components
  - bottom 9

- display 6
  - keyboard area 7
  - left side 4
  - right side 3
- computer major components 12
- computer specifications 61

## D

- display
  - specifications 61
- display assembly
  - subcomponents 14
- display back cover
  - illustrated 16
  - spare part number 16
- display bezel
  - illustrated 15
  - spare part number 15
- display cable
  - illustrated 16
  - spare part number 16
- display components 6
- display panel
  - illustrated 15
  - product description 1
  - spare part number 15

## E

- electrostatic discharge (ESD) 19, 20
  - preventing damage 19-21
- esc key, identifying 8

## F

- fan
  - illustrated 13
  - removal 37
  - spare part number 13, 37
- fingerprint reader
  - illustrated 13
  - removal 43
  - spare part number 13
  - spare part numbers 43
- fingerprint reader board
  - illustrated 13, 43
  - spare part number 13, 43
- fingerprint reader, identifying 8

## G

- graphics, product description 1
- grounding methods 19-21
- guidelines
  - packaging 19, 25
  - transporting 19, 25
  - workstation 19

## H

- hard drive
  - product description 1
  - specifications 61
- HDMI port, identifying 5
- headphone (audio-out) jack 4
- heat sink
  - illustrated 13
  - removal 45
  - spare part number 13
  - spare part numbers 45
- hinge
  - illustrated 16
  - spare part number 16
- hinge covers
  - illustrated 16
  - spare part number 16
- HP Sure Start 63, 69

## I

- illustrated parts catalog 12
- internal microphones, identifying 6

## J

- jacks
  - audio-in (microphone) 4
  - audio-out (headphone) 4

## K

- keyboard
  - product description 2
- keyboard country codes 57
- keys
  - esc 8
  - power 8
  - search 9

- L**
- labels
    - Bluetooth 10
    - regulatory 10
    - serial number 10
    - service 10
    - wireless certification 10
    - WLAN 10
  - lights
    - AC adapter and battery 3, 5
    - camera 7
  - lock bracket
    - removal 41
    - spare part number 41
  - low blue light mode 6
- M**
- media card reader, product description 2
  - memory
    - nonvolatile 63
    - volatile 63
  - memory module
    - product description 1
  - microphone
    - product description 2
  - microphone (audio-in) jack, identifying 4
  - microSD memory card reader, identifying 5
  - model name 1
- N**
- nonvolatile memory 63
- O**
- operating system, product description 2
- P**
- packaging guidelines 19, 25
  - pointing device, product description 2
  - ports
    - HDMI 5
    - product description 2
    - USB SuperSpeed 4, 5
    - USB Type-C power connector and SuperSpeed port 4, 5
  - power cord
    - requirements for all countries 70
    - requirements for specific countries and regions 70
    - set requirements 70
  - power cords, spare part numbers 16
  - power key, identifying 8
  - power requirements, product description 2
  - primary storage
    - product description 1
  - processor
    - product description 1
  - product description
    - audio 2
    - display panel 1
    - graphics 1
    - hard drive 1
    - keyboard 2
    - media card reader 2
    - memory module 1
    - microphone 2
    - operating system 2
    - pointing device 2
    - ports 2
    - power requirements 2
    - primary storage 1
    - processors 1
    - product name 1
    - security 2
    - serviceability 2
    - solid-state drive 1
    - video 2
    - wireless 2
  - product name 1
  - product name and number, computer 10
- R**
- recovery media
    - creating 59
    - erase 60
  - recovery, performing 58
  - regulatory information
    - regulatory label 10
    - wireless certification labels 10
  - removal and replacement procedures 28
    - solid-state drive 31
  - removing personal data from volatile system memory 63
  - resetting 58
- S**
- Screw Kit, spare part number 16
  - search key, identifying 9
  - security cable slot, identifying 3
  - security, product description 2
  - serial number, computer 10
  - service labels, locating 10
  - serviceability, product description 2
  - SIM card slot, identifying 3
  - slots
    - security cable 3
    - SIM card 3
    - smart card 5
  - smart card reader
    - identifying 5
  - solid-state drive
    - illustrated 14
    - product description 1
    - removal and replacement 31
    - spare part number 14
    - specifications 62
  - speaker
    - illustrated 13
    - removal 36
    - spare part number 13
    - spare part numbers 36
  - speakers, identifying 10
  - specifications
    - computer 61
    - display 61
    - hard drive 61
    - solid-state drive 62
  - static electricity 19, 20
  - support information 25
  - system board
    - illustrated 13
    - removal 46
    - spare part number 13
    - spare part numbers 46
  - system memory, removing personal data from volatile 63
  - system recovery
    - Chrome operating system 59
    - Chromebook Recovery Utility 59
    - recovery media 59
- T**
- top cover with keyboard
    - spare part numbers 57
  - top cover/keyboard
    - illustrated 13
    - spare part number 13
  - touchpad
    - illustrated 13

- removal 38
- spare part number 13
- spare part numbers 38
- touchpad zone, identifying 7
- transporting guidelines 19, 25
- traveling with the computer 10

## U

### USB board

- illustrated 14
- removal 39
- spare part number 14
- spare part numbers 39

USB SuperSpeed port,  
  identifying 4, 5

USB Type-C power connector and  
  SuperSpeed port, identifying 4,  
  5

## V

- vent, identifying 10
- video, product description 2

## W

- wireless antennas, identifying 6
- wireless certification label 10
- wireless, product description 2

WLAN antennas

- illustrated 16
- spare part number 16

WLAN antennas, identifying 6

WLAN device 10

WLAN label 10

WLAN module

- removal 33
- spare part numbers 33

workstation guidelines 19

WWAN antennas

- illustrated 16
- spare part number 16

WWAN antennas, identifying 6

WWAN module

- removal 35
- spare part numbers 35