



Maintenance and Service Guide

HP 14 inch Laptop AI PC

Model numbers: 14-hc0xxx

SUMMARY

This guide provides maintenance information about such topics as spare parts, removal and replacement of parts, security, and backing up.

Legal information

© Copyright 2025 HP Development Company, L.P.

AMD is a trademark of Advanced Micro Devices, Inc. Bluetooth is a trademark owned by its proprietor and used by HP Inc. under license. Intel, Celeron, and Core are trademarks of Intel Corporation or its subsidiaries in the U.S. and/or other countries. Microsoft and Windows are either registered trademarks or trademarks of Microsoft Corporation in the United States and/or other countries. USB Type-C and USB-C are registered trademarks of USB Implementers Forum. DisplayPort and the DisplayPort logo are trademarks owned by the Video Electronics Standards Association (VESA) in the United States and other countries. Miracast and Wi-Fi are registered trademarks of Wi-Fi Alliance.

The information contained herein is subject to change without notice. The only warranties for HP products and services are set forth in the express warranty statements accompanying such products and services. Nothing herein should be construed as constituting an additional warranty. HP shall not be liable for technical or editorial errors or omissions contained herein.

First Edition: February 2025

Document Part Number: P28906-001

Product notice

This guide describes features that are common to most models. Some features may not be available on your computer.

Not all features are available in all editions or versions of Windows. Systems may require upgraded and/or separately purchased hardware, drivers, software or BIOS update to take full advantage of Windows functionality. Windows is automatically updated, which is always enabled. High-speed internet and Microsoft account required. ISP fees may apply and additional requirements may apply over time for updates. See <http://www.windows.com>.

If your product ships with Windows in S

Mode: Windows in S Mode works exclusively with apps from the Microsoft Store within Windows. Certain default settings, features, and apps cannot be changed. Some accessories and apps that are compatible with Windows may not work (including some antivirus, PDF writers, driver utilities, and accessibility apps), and performance may vary, even if you switch out of S Mode. If you switch to Windows, you cannot switch back to S Mode. Learn more at Windows.com/SmodeFAQ.

To access the latest user guides, go to <http://www.hp.com/support>, and follow the instructions to find your product. Then select **Manuals**.

Software terms

By installing, copying, downloading, or otherwise using any software product preinstalled on this computer, you agree to be bound by the terms of the HP End User License Agreement (EULA). If you do not accept these license terms, your sole remedy is to return the entire unused product (hardware and software) within 14 days for a full refund subject to the refund policy of your seller.

For any further information or to request a full refund of the price of the computer, please contact your seller.

Safety warning notice

Reduce the possibility of heat-related injuries or of overheating the computer by following the practices described.

-
- ⚠ WARNING!** To reduce the possibility of heat-related injuries or of overheating the computer, do not place the computer directly on your lap or obstruct the computer air vents. Use the computer only on a hard, flat surface. Do not allow another hard surface, such as an adjoining optional printer, or a soft surface, such as pillows or rugs or clothing, to block airflow. Also, do not allow the AC adapter to come into contact with the skin or a soft surface, such as pillows or rugs or clothing, during operation. The computer and the AC adapter provided by HP comply with the user-accessible surface temperature limits defined by applicable safety standards.
-

Important notice about Customer Self-Repair parts

Your computer includes Customer Self-Repair parts and parts that should be accessed only by an authorized service provider.



IMPORTANT: See [Removal and replacement procedures for Customer Self-Repair parts on page 32](#) for details.

Accessing parts described in [Removal and replacement procedures for authorized service provider parts on page 41](#) can damage the computer or void your warranty.

Table of contents

1 Product description	1
2 Getting to know your computer	6
Right side	6
Left side	6
Display	7
Low blue light mode (select products only)	8
Wake-on-voice (select products only)	8
Keyboard area	9
Touchpad settings and components	9
Touchpad settings	9
Adjusting touchpad settings	9
Turning on the touchpad	9
Touchpad components	10
Lights	10
Button and fingerprint reader	11
Special keys	13
Bottom	14
Labels	15
3 Illustrated parts catalog	16
Computer major components	16
Display assembly subcomponents	19
Miscellaneous parts	21
4 Removal and replacement procedures preliminary requirements	23
Tools required	23
Service considerations	23
Plastic parts	23
Cables and connectors	23
Drive handling	23
Electrostatic discharge information	24
Generating static electricity	24
Preventing electrostatic damage to equipment	25
Personal grounding methods and equipment	25
Grounding the work area	26
Recommended materials and equipment	26
Cleaning your computer	27
Enabling HP Easy Clean (select products only)	27
Removing dirt and debris from your computer	27
Cleaning your computer with a disinfectant	28

Caring for wood veneer (select products only).....	29
Packaging and transporting guidelines.....	29
Accessing support information.....	29
5 Removal and replacement procedures for Customer Self-Repair parts.....	32
Component replacement procedures.....	32
Preparation for disassembly.....	32
Bottom cover.....	32
Battery.....	35
Removing and reinstalling the same battery.....	35
Installing a new battery.....	36
6 Removal and replacement procedures for authorized service provider parts.....	41
Component replacement procedures.....	41
Preparation for disassembly.....	41
Solid-state drive.....	41
Memory modules.....	43
WLAN module.....	45
Speakers.....	46
Touchpad.....	47
Fingerprint reader (select products only).....	48
Fan.....	50
Display assembly.....	51
System board.....	58
Heat sink.....	59
USB board.....	61
Power connector cable.....	61
Top cover with keyboard.....	62
7 Using Setup Utility (BIOS).....	64
Starting Setup Utility (BIOS).....	64
Updating Setup Utility (BIOS).....	64
Determining the BIOS version.....	64
Preparing for a BIOS update.....	65
Downloading a BIOS update.....	65
Installing a BIOS update.....	66
8 Backing up, restoring, and recovering.....	67
Backing up information and creating recovery media.....	67
Using Windows tools for backing up.....	67
Using the HP Cloud Recovery Download Tool to create recovery media (select products only).....	67
Restoring and recovering your system.....	67
Creating a system restore.....	68
Restoring and recovery methods.....	68
Recovering using HP Recovery media.....	68
Changing the computer boot order.....	69
Using HP Sure Recover (select products only).....	69
9 Using HP PC Hardware Diagnostics.....	70

Using HP PC Hardware Diagnostics Windows (select products only).....	70
Using an HP PC Hardware Diagnostics Windows hardware failure ID code.....	70
Accessing HP PC Hardware Diagnostics Windows.....	70
Accessing HP PC Hardware Diagnostics Windows from HP Support Assistant.....	70
Accessing HP PC Hardware Diagnostics Windows from the Start menu (select products only).....	71
Downloading HP PC Hardware Diagnostics Windows.....	71
Downloading the latest HP PC Hardware Diagnostics Windows version from HP.....	71
Downloading the HP PC Hardware Diagnostics Windows from the Microsoft Store.....	71
Downloading HP Hardware Diagnostics Windows by product name or number (select products only).....	72
Installing HP PC Hardware Diagnostics Windows.....	72
Using HP PC Hardware Diagnostics UEFI.....	72
Using an HP PC Hardware Diagnostics UEFI hardware failure ID code.....	72
Starting HP PC Hardware Diagnostics UEFI.....	73
Downloading HP PC Hardware Diagnostics UEFI to a USB flash drive.....	73
Downloading the latest HP PC Hardware Diagnostics UEFI version.....	73
Downloading HP PC Hardware Diagnostics UEFI by product name or number (select products only).....	73
Using Remote HP PC Hardware Diagnostics UEFI settings (select products only).....	74
Downloading Remote HP PC Hardware Diagnostics UEFI.....	74
Downloading the latest Remote HP PC Hardware Diagnostics UEFI version.....	74
Downloading Remote HP PC Hardware Diagnostics UEFI by product name or number.....	74
Customizing Remote HP PC Hardware Diagnostics UEFI settings.....	74
10 Specifications.....	76
Computer specifications.....	76
Display specifications.....	76
Solid-state drive specifications.....	77
11 Power cord set requirements.....	79
Requirements for all countries.....	79
Requirements for specific countries and regions.....	79
12 Swelling or deformation of notebook battery.....	82
Swollen notebook batteries.....	82
Swollen battery is not a safety issue.....	82
Discontinue using a swollen battery.....	82
Replace a swollen battery.....	82
Minimize battery swelling.....	82
HP Adaptive Battery Optimizer (consumer notebooks).....	83
HP Battery Health Manager (commercial notebooks).....	83
13 Recycling.....	84
Index.....	85

1 Product description

This table provides detailed product information.

Table 1-1 Product components and their descriptions

Category	Description
Product Name	HP 14 inch Laptop AI PC Model numbers: 14-hc0xxx CTO model number: 14t-hc000
Processor	Intel® processors Intel Core™ Ultra 7 255U processor Intel Core Ultra 5 225U processor Intel N250 processor Intel N150 processor Intel Core i3 N355 processor Intel Celeron® N4500 processor
Graphics controller	Intel UHD Graphics Intel Graphics
Display	35.6 cm (14.0 in), liquid crystal display (LCD), antiglare, white light-emitting diode (WLED) Full high definition (FHD) (1920 × 1080), ultra wide viewing angle (UWVA), 45% NTSC, eDP 1.2 without PSR, antiglare, low power, 300 nits Full high definition (FHD) (1920 × 1080), standard viewing angle (SVA), 45% NTSC, eDP 1.2 without PSR, antiglare, low power, 250 nits High definition (HD) (1366 × 768), eDP, antiglare, SVA, ultraslim, 250 nits
Memory	Memory is not accessible or upgradeable DDR4-3200, single channel support (N250, N150, Core 3 N355, Celeron N4500 processors) One SODIMM slot Supports up to 16 GB of RAM in the following configurations: <ul style="list-style-type: none">• 16 GB• 8 GB DDR5-5600, dual channel support (Core Ultra processors) Two SODIMM slots <ul style="list-style-type: none">• 32 GB• 24 GB• 16 GB• 8 GB

Table 1-1 Product components and their descriptions (continued)

Category	Description
	<ul style="list-style-type: none"> • 4 GB
Primary storage	M.2 2280 solid-state drive, PCIe-4 × 4 nonvolatile memory express (NVMe)
	1 TB
	1 TB (the People's Republic of China [PRC])
	512 GB
	512 GB (PRC)
	256 GB
	256 GB (PRC)
	eMMC v5.0
	64 GB
	Universal Flash (UFS) v3.x
	128 GB
Audio	Dual speakers
	Supports XiaoWei
Video	HP True Vision HD camera - Indicator LED, USB 2.0, HD BSI sensor, f2.0, 80° NFOV
	720p by 30 frames per second (fps)
	Dual-array, digital microphone with appropriate software - beam forming, echo cancellation, noise suppression
	HP True Vision FHD camera - Indicator LED, USB 2.0, HD BSI sensor, f2.0, NFOV
	1080p by 30 fps
	Dual-array, digital microphone with appropriate software - beam forming, echo cancellation, noise suppression
Wireless	Wireless Local Area Network (WLAN)
	<ul style="list-style-type: none"> • MediaTek MT7920 Wi-Fi® 6 Bluetooth® 5.4 • Realtek 8852BE-VT Wi-Fi 6 Bluetooth 5.4
	Support for Miracast®
	Supports Modern Standby (connected)
	Turbo Lite WLAN SVTP
	Dual antennas
Ports	Audio-out (headphone)/audio-in (microphone) combo jack
	AC Smart Pin adapter
	HDMI v1.4b + HDCP 1.4 supports up to 1920 × 1080 @ 60 Hz
	USB 3.2 Gen 1 Type-A ports (2), left and right sides

Table 1-1 Product components and their descriptions (continued)

Category	Description
	<p>USB 3.2 Type-C® Gen2 port (left side), supports PD charging:</p> <ul style="list-style-type: none"> • Data transfer • Power delivery • HP Sleep & Charge • DisplayPort™ 1.4 out up to 4 K (60 Hz) and HDMI 2.0 up to 4 K (60 Hz) out through adapter
	<p>USB 3.2 Type-C Gen1 port (left side), supports non-PD charging:</p> <ul style="list-style-type: none"> • Data transfer • Power delivery • HP Sleep & Charge • DisplayPort 1.4 out up to 4 K (60 Hz) and HDMI 1.4 out through adapter
Keyboard/pointing devices	Keyboard, island style, Copilot key
	Backlit
	Not backlit
	Clickpad with image sensor
	Supports modern touchpad gestures
	Multitouch gestures enabled
	Precision touchpad supported
	Taps enabled as default
Power requirements	Battery
	3 cell, 41 Whr
	Long life
	Fast charge
	HP Smart AC adapter (4.5 mm, non-power correction factor [nPFC]) (select products only)
	65 W
	45 W
	HP Smart AC adapter (USB Type-C) (select products only)
	45 W
	Power cord (select products only)
	C5, conventional, 1.0 m (3.3 ft)
Security	Microphone mute (on/off key on keyboard)
	Fingerprint reader (select products only)
	Camera privacy cover
	Trusted Platform Module (TPM) 2.0

Table 1-1 Product components and their descriptions (continued)

Category	Description
Operating system	Windows® 11 Home 64
	Windows 11 Home 64 Entry Single Language
	Windows 11 Home 64 Chinese Market CPPP
	Windows 11 Home 64 High-End Chinese Market CPPP
	Windows 11 Home 64 Plus
	Windows 11 Home 64 Plus Single Language
	Windows 11 Home 64 Plus Single Language Africa Market PPP
	Windows 11 Home 64 Plus Single Language APAC EM PPP
	Windows 11 Home 64 Plus Single Language India Market PPP
	Windows 11 Home 64 Plus Single Language Indonesia Market PPP
	Windows 11 Home 64 Single Language
	Windows 11 Home 64 Single Language Africa Market PPP
	Windows 11 Home 64 Single Language APAC EM PPP
	Windows 11 Home 64 Single Language Entry Africa Market PPP
	Windows 11 Home 64 Single Language Entry APAC EM PPP
	Windows 11 Home 64 Single Language Entry India Market PPP
	Windows 11 Home 64 Single Language Entry Indonesia Market PPP
	Windows 11 Home 64 Single Language India Market PPP
	Windows 11 Home 64 Single Language Indonesia Market PPP
	Windows 11 Home 64 Single Language Value Africa Market PPP
	Windows 11 Home 64 Single Language Value APAC EM PPP
	Windows 11 Home 64 Single Language Value India Market PPP
	Windows 11 Home 64 Single Language Value Indonesia Market PPP
	Windows 11 Home 64 Value Single Language
	Windows 11 Home 64 StF MSNA for Higher Education
	Windows 11 Home 64 StF MSNA for Higher Education Strategic
	Windows 11 Pro 64
	Windows 11 Pro 64 Chinese Market
	Windows 11 Pro 64 Entry
	Windows 11 Pro 64 Entry Chinese Market
	Windows 11 Pro 64 StF MSNA Entry
	Windows 11 Pro 64 StF MSNA Entry Emerging Market
	Windows 11 Pro 64 StF MSNA Standard
Windows 11 Pro 64 StF MSNA Strategic	

Table 1-1 Product components and their descriptions (continued)

Category	Description
	Windows 11 Pro 64 Value
	Windows 11 Pro 64 Value Chinese Market
	FreeDOS 3.0
Serviceability	AC adapter
	Bottom cover
	Battery

2 Getting to know your computer

Your computer features top-rated components. This chapter provides details about your components, where they are located, and how they work.

Right side

Identify the components on the right side of the computer.

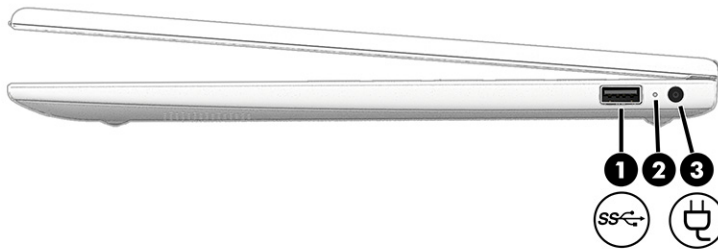




Table 2-1 Right-side components and their descriptions

	Component	Description
(1)	 USB port	Connects a USB device, provides high-speed data transfer, and (for select products) charges small devices (such as a smartphone) when the computer is on or in Sleep mode. NOTE: Use a standard USB Type-A charging cable or cable adapter (purchased separately) when charging a small external device.
(2)	AC adapter and battery light	<ul style="list-style-type: none">• White: The AC adapter is connected and the battery is fully charged.• Blinking amber: The AC adapter is disconnected and the battery has reached a low battery level.• Amber: The AC adapter is connected and the battery is charging.• Off: The battery is not charging.
(3)	 Power connector	Connects an AC adapter.

Left side

Identify the components on the left side of the computer.

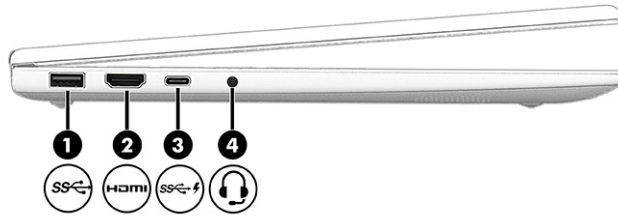






Table 2-2 Left-side components and their descriptions

	Component	Description
(1)	 USB port	<p>Connects a USB device, provides high-speed data transfer, and (for select products) charges small devices (such as a smartphone) when the computer is on or in Sleep mode.</p> <p>NOTE: Use a standard USB Type-A charging cable or cable adapter (purchased separately) when charging a small external device.</p>
(2)	 HDMI port	<p>Connects an optional video or audio device, such as a high-definition television, any compatible digital or audio component, or a high-speed High-Definition Multimedia Interface (HDMI) device.</p>
(3)	 USB Type-C® 10 Gbps port with HP Sleep and Charge	<p>Connects a USB device, provides high-speed data transfer, and charges small devices (such as a smartphone), even when the computer is off.</p> <p>NOTE: Use a standard USB Type-C charging cable or cable adapter (purchased separately) when charging a small external device.</p> <p>- and -</p> <p>Connects a display device that has a USB Type-C connector, providing DisplayPort™ output.</p>
(4)	 Audio-out (headphone)/Audio-in (microphone) combo jack	<p>Connects optional powered stereo speakers, headphones, earbuds, a headset, or a television audio cable. Also connects an optional headset microphone. This jack does not support optional standalone microphones.</p> <p>WARNING! To reduce the risk of personal injury, adjust the volume before putting on headphones, earbuds, or a headset. For additional safety information, see the <i>Regulatory, Safety, and Environmental Notices</i>.</p> <p>To access this guide:</p> <ul style="list-style-type: none"> ■ Select the Search icon in the taskbar, type <code>HP Documentation</code> in the search box, and then select HP Documentation. <p>NOTE: When a device is connected to the jack, the computer speakers are disabled.</p>

Display

The computer display can include essential components such as speakers, antennas, cameras, and microphones.

Low blue light mode (select products only)

Your computer display is shipped from the factory in low blue light mode for improved eye comfort and safety. Also, blue light mode automatically adjusts blue light emissions when you are using the computer at night or for reading.

⚠ WARNING! To reduce the risk of serious injury, read the *Safety & Comfort Guide*. It describes proper workstation setup and proper posture, health, and work habits for computer users. The *Safety & Comfort Guide* also provides important electrical and mechanical safety information. The *Safety & Comfort Guide* is available on the web at <http://www.hp.com/ergo>.

Wake-on-voice (select products only)

Use the wake-on-voice feature to bring the computer out of the Sleep state quickly.

To access the wake-on-voice settings, follow these steps:

1. Select the **Search** icon in the taskbar, type `XiaoWei` in the search box, and then select **XiaoWei**.
2. When the tool opens, scan the QR code with your mobile device, which takes you to the settings page, where you can select your wake-on-voice features.
3. Follow the on-screen instructions.

📝 NOTE: Allow the XiaoWei app to continue running on the computer.

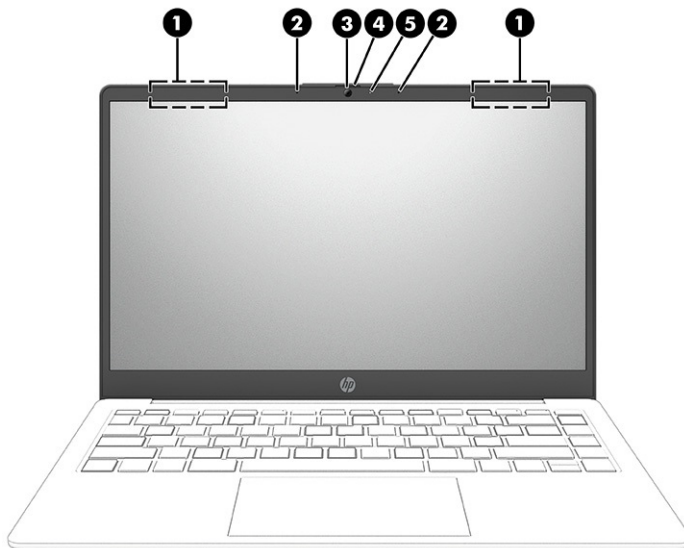


Table 2-3 Display components and their descriptions

	Component	Description
(1)	WLAN antennas* (2)	Send and receive wireless signals to communicate with wireless local area networks (WLANs).
(2)	Internal microphones (2)	Record sound.

Table 2-3 Display components and their descriptions (continued)

	Component	Description
(3)	Camera	Allows you to video chat, record video, and record still images. Some cameras also allow a facial recognition logon to Windows®, instead of a password logon. NOTE: Camera functions vary depending on the camera hardware and software installed on your product.
(4)	Camera privacy cover	By default, the camera lens is uncovered, but you can slide the camera privacy cover to block the camera's view. To use the camera, slide the camera privacy cover in the opposite direction to reveal the lens.
(5)	Camera light	On: The camera is in use.

*The antennas are not visible from the outside of the computer. For optimal transmission, keep the areas immediately around the antennas free from obstructions.


For wireless regulatory notices, see the section of the *Regulatory, Safety, and Environmental Notices* that applies to your country or region.

To access this guide:

- Select the **Search** icon in the taskbar, type `HP Documentation` in the search box, and then select **HP Documentation**.

Keyboard area

Keyboards can vary by language.

 **NOTE:** The keyboard area, including the function keys and (select products only) power key, is disabled in stand, tent, and tablet modes. To enable the keyboard, including the power key, change to the clamshell mode.

Touchpad settings and components

Learn the touchpad settings and components.

Touchpad settings

Learn how to adjust touchpad settings.

Adjusting touchpad settings

Use these steps to adjust touchpad settings and gestures.

1. Select the **Search** icon in the taskbar, type `touchpad settings` in the search box, and then press `enter`.
2. Choose a setting.

Turning on the touchpad

Follow these steps to turn on the touchpad.

1. Select the **Search** icon in the taskbar, type `touchpad settings` in the search box, and then press `enter`.
2. Using an external mouse, click the **touchpad** button.

If you are not using an external mouse, press the `Tab` key repeatedly until the pointer rests on the **touchpad** button. Then press the `spacebar` to select the button.

Touchpad components

Identify the touchpad components.

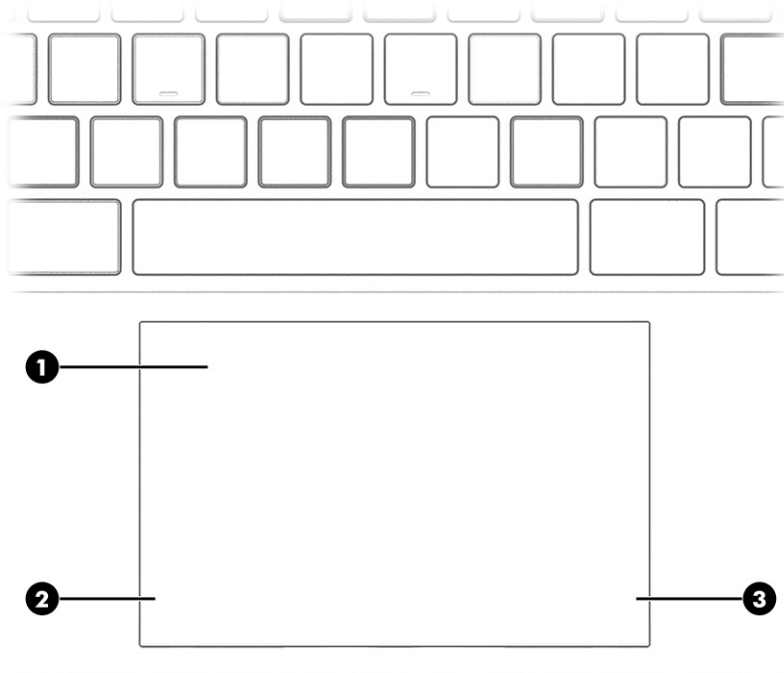


Table 2-4 Touchpad components and their descriptions

Component	Description
(1) Touchpad zone	Reads your finger gestures to move the pointer or activate items on the screen.
(2) Left touchpad button	Functions like the left button on an external mouse.
(3) Right touchpad button	Functions like the right button on an external mouse.

Lights

Identify the lights on the computer.

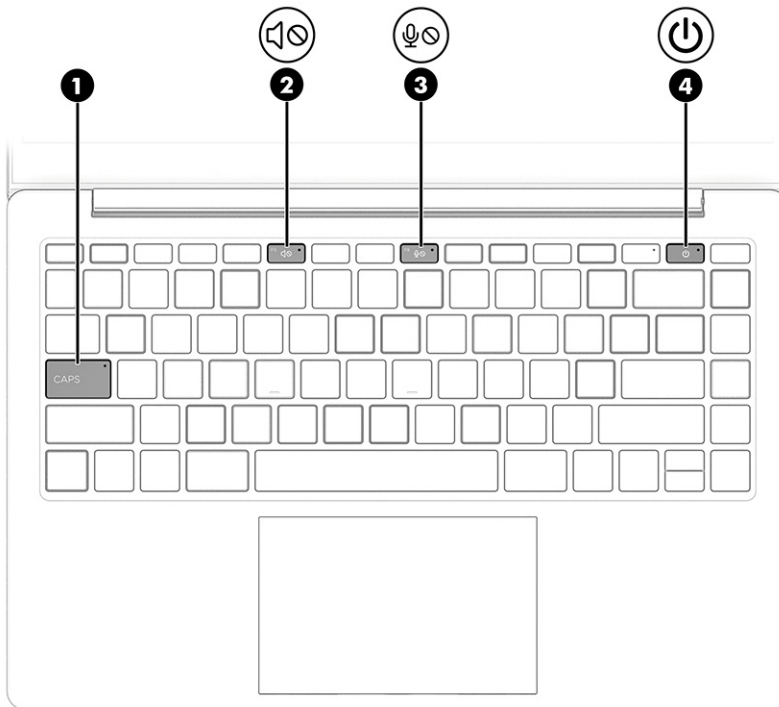



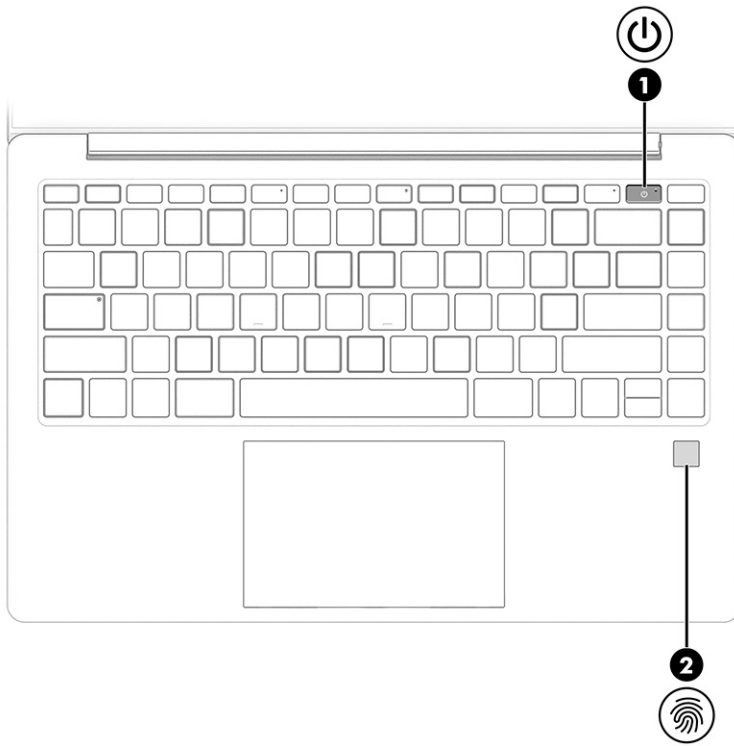


Table 2-5 Lights and their descriptions

	Component	Description
(1)	Caps lock light	On: Caps lock is on, which switches the key input to all capital letters.
(2)	 Mute light	<ul style="list-style-type: none"> On: Computer sound is off. Off: Computer sound is on.
(3)	 Microphone mute light	<ul style="list-style-type: none"> On: Microphone is off. Off: Microphone is on.
(4)	 Power light	<ul style="list-style-type: none"> On: The computer is on. Blinking (select products only): The computer is in the Sleep state, a power-saving state. The computer shuts off power to the display and other unnecessary components. Off: Depending on your computer model, the computer is off, in Hibernation, or in Sleep. Hibernation is the power-saving state that uses the least amount of power.

Button and fingerprint reader

Identify the computer button and fingerprint reader.



Fingerprint readers, which enable a fingerprint logon, can be located on the touchpad, on a side panel of the computer, or on the top cover below the keyboard.





 **IMPORTANT:** To verify that your computer supports fingerprint reader sign-in, select the **Search** icon in the taskbar, type `Sign-in options` in the search box and press `enter`. If **Fingerprint recognition** is not listed as an option, then your computer does not include a fingerprint reader.

Table 2-6 Button and fingerprint reader and their descriptions

	Component	Description
(1)	 Power button	<ul style="list-style-type: none"> • When the computer is off, press the button briefly to turn on the computer. • When the computer is on, press the button briefly to initiate Sleep. • When the computer is in the Sleep state, press the button briefly to exit Sleep (select products only). • When the computer is in Hibernation, press the button briefly to exit Hibernation. <p>IMPORTANT: Pressing and holding down the power button results in the loss of unsaved information.</p> <p>If the computer has stopped responding and shutdown procedures are ineffective, press and hold the power button down for at least 10 seconds to turn off the computer.</p> <p>To learn more about your power and sleep settings:</p> <ul style="list-style-type: none"> ■ Right-click the Power icon , and then select Power and sleep settings.
(2)	 Fingerprint reader (select products only)	<p>Allows a fingerprint logon to Windows, instead of a password logon.</p> <ul style="list-style-type: none"> ■ Touch your finger to the fingerprint reader. <p>IMPORTANT: To prevent fingerprint logon issues, make sure when you register your fingerprint that all sides of your finger are registered by the fingerprint reader.</p>

Special keys

Identify the special keys.

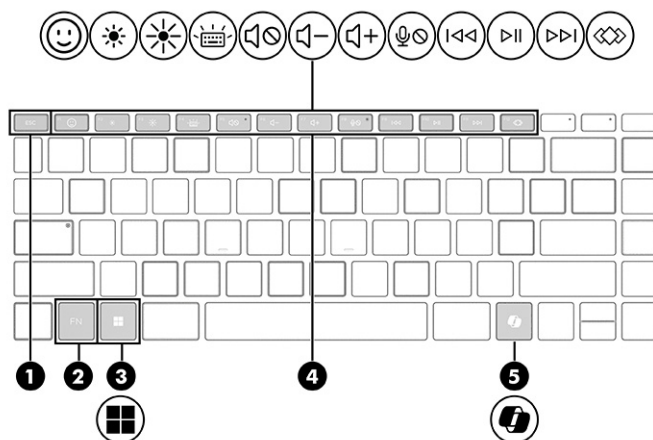




Table 2-7 Special keys and their descriptions

	Component	Description
(1)	esc key	Displays system information when pressed in combination with the fn key.
(2)	fn key	Executes specific functions when pressed in combination with another key.
(3)	 Windows key	Opens the Start menu. NOTE: Pressing the Windows key again will close the Start menu.
(4)	Action keys	Execute frequently used system functions as defined by the icon symbols on f1 through f12 function keys.
(5)	 Windows Copilot key	Opens Windows Copilot (select products only). NOTE: Copilot in Windows (select products only) requires Windows 11. Some features require a neural processing unit (NPU). The timing of feature delivery and availability varies by market and device. You must have a Microsoft account to use the Copilot feature. When the Copilot feature is not available, pressing the Copilot key opens the Bing search engine. See http://aka.ms/WindowsAIFeatures .

Bottom

Identify the bottom components.

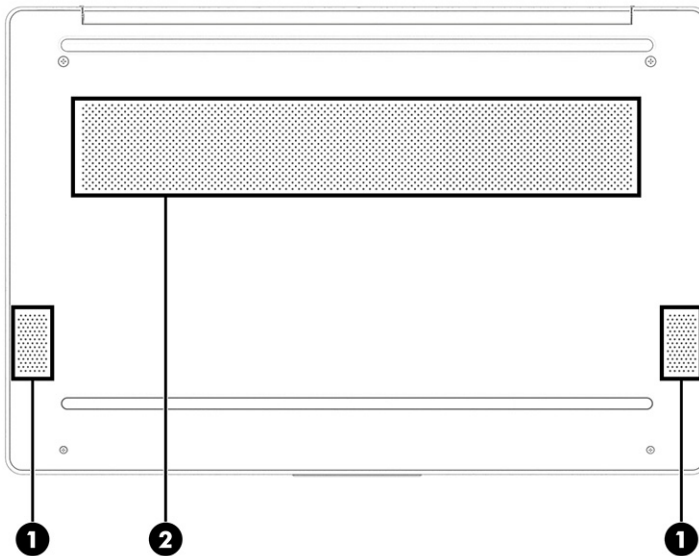


Table 2-8 Bottom components and their descriptions


	Component	Description
(1)	Speakers (2)	Produce sound.

Table 2-8 Bottom components and their descriptions (continued)

	Component	Description
(2)	Vent	Enables airflow to cool internal components. NOTE: The computer fan starts up automatically to cool internal components and prevent overheating. It is normal for the internal fan to cycle on and off during routine operation.

Labels

The labels affixed to the computer provide information that you might need when you troubleshoot system problems or travel internationally with the computer. Labels can be in paper form or imprinted on the product.

 **IMPORTANT:** Check the following locations for the labels described in this section: the bottom of the computer, inside the battery bay, under the service door, on the back of the display, or on the bottom of a tablet kickstand.

- Service label—Provides important information to identify your computer. When contacting support, you might be asked for the serial number, the product number, or the model number. Locate this information before you contact support.

Your service label will resemble the following example.



Table 2-9 Service label components

	Component
(1)	Serial number
(2)	Product ID
(3)	HP product name and model number

- Regulatory labels—Provide regulatory information about the computer.
- Wireless certification labels—Provide information about optional wireless devices and the approval markings for the countries or regions in which the devices have been approved for use.


3 Illustrated parts catalog

Use this chapter to determine the spare parts that are available for the computer.

Computer major components

To identify the computer major components, use this illustration and table.

 **NOTE:** HP continually improves and changes product parts. For complete and current information about supported parts for your computer, go to <http://partsurfer.hp.com>, select your country or region, and then follow the on-screen instructions.

 **NOTE:** Details about your computer, including model, serial number, product key, and length of warranty, are on the service tag at the bottom of your computer.

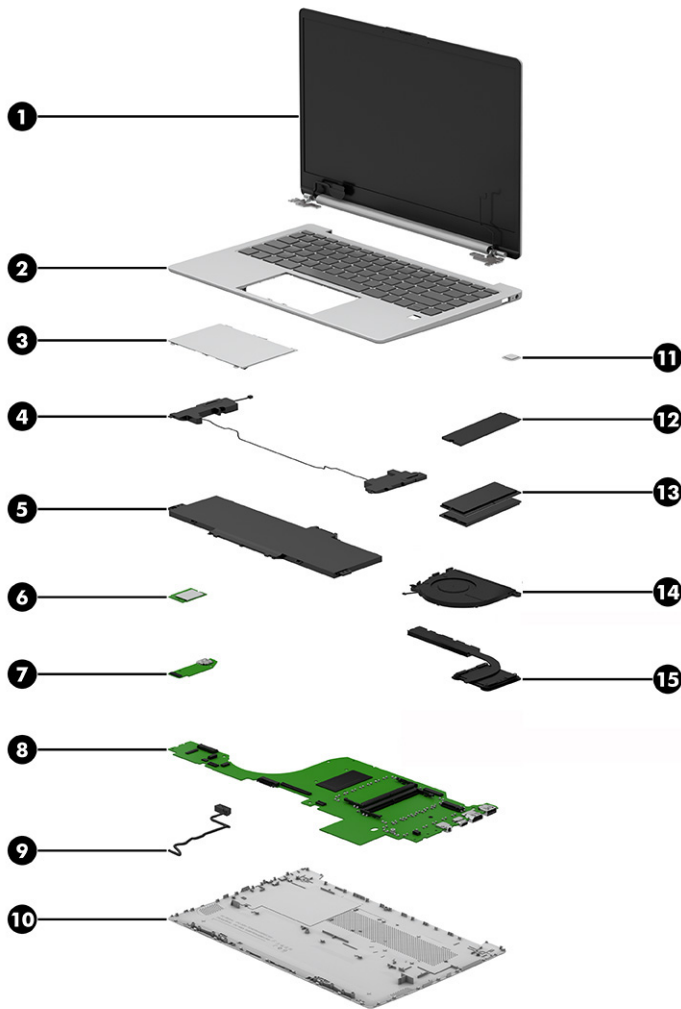


Table 3-1 Computer major component descriptions and part numbers

Item	Component	Spare part number
(1)	Display assembly NOTE: Display spare parts are available only as subcomponents. For spare part information, see Display assembly subcomponents on page 19 .	
(2)	Top cover with keyboard NOTE: For a detailed list of country codes, see Top cover with keyboard on page 62 .	
	Natural silver with soft gray touchpad, not backlit	P20690-xx1
	Natural silver with soft gray touchpad, backlit	P20691-xx1
	Natural silver with soft gray touchpad, not backlit, with fingerprint reader	P20692-xx1
	Natural silver with soft gray touchpad, backlit, with fingerprint reader	P20693-xx1
	Jet black with jet black touchpad, not backlit	P20694-xx1
	Evening blue with jet black touchpad, not backlit	P20695-xx1
	Tranquil pink with crepe pink touchpad, not backlit (United States [-001] and French Canada [-DB1] only)	P33165-xx1
	Waterfall blue with river blue touchpad, not backlit (United States [-001] and French Canada [-DB1] only)	P33166-xx1
(3)	Touchpad NOTE: The touchpad cable is available as spare part number N36327-001.	
	Natural silver	N35866-001
	Jet black	N35867-001
	Evening blue	N35868-001
	Tranquil pink	P33312-001
	Waterfall blue	P33313-001
(4)	Speakers	N36316-001
(5)	Battery (3 cell, 41 Whr)	N21969-005
(6)	WLAN module	
	MediaTek MT7920 Wi-Fi 6 Bluetooth 5.4	P17386-005
	Realtek Wi-Fi 6 RTL8852BE-VT + Bluetooth 5.4	P06350-005
(7)	USB board NOTE: The USB board cable is available as spare part number N36326-001.	N36315-001
(8)	System board (includes the Windows operating system)	
	Intel N250 processor with 128 GB UFS memory	P30107-601
	Intel N250 processor with 64 GB eMMC memory	P30108-601
	Intel N150 processor with 128 GB UFS memory	P30105-601
	Intel N150 processor with 64 GB eMMC memory	P30106-601
	Intel Core i3 N355 processor	P30084-601

Table 3-1 Computer major component descriptions and part numbers (continued)

Item	Component	Spare part number
	Intel Core Ultra7 255U processor	P30110-601
	Intel Core Ultra5 225U processor	P30109-601
(9)	Power connector cable	N36329-001
(10)	Bottom cover	
	Natural silver	N35863-001
	Jet black	N35864-001
	Natural silver (models with USB-C)	N83001-001
	Jet black (models with USB-C)	N83002-001
	Evening blue (models with USB-C)	N83003-001
	Tranquil pink	P33161-001
	Waterfall blue	P33162-001
(11)	Fingerprint reader module	N36317-001
	NOTE: The fingerprint reader module cable is available as spare part number N36328-001.	
(12)	Solid-state drive (M.2 2280)	
	1 TB, PCIe 4 × 4 (for use only in the People's Republic of China [PRC])	N77394-005
	1 TB, PCIe 4 × 4 (for use in all regions except PRC)	N45474-005
	512 GB, PCIe 4 × 4 (for use only in PRC)	N77392-005
	512 GB, PCIe 4 × 4 (for use in all regions except PRC)	N45476-005
	512 GB (for use in all regions except PRC)	L85364-005
	256 GB, PCIe 4 × 4 (for use only in PRC)	N77391-005
	256 GB (for use in all regions except PRC)	L85354-005
	256 GB, PCIe 4 × 4 (for use in all regions except PRC)	N45477-005
(13)	Memory module (DDR4-3200)	
	16 GB (for use worldwide)	N77403-005
	8 GB (for use worldwide)	L46598-005
	4 GB (for use worldwide)	L83673-005
	Memory module (DDR4-5600)	
	16 GB (for use in all regions except PRC)	N38627-005
	16 GB (for use only in PRC)	N77399-005
	12 GB (for use worldwide)	P33447-005
	8 GB (for use in all regions except PRC)	N37792-005
	8 GB (for use only in PRC)	N77398-005
(14)	Fan	N36314-001
(15)	Heat sink assembly	

Table 3-1 Computer major component descriptions and part numbers (continued)

Item	Component	Spare part number
	15 W	N36312-001
	6 W	N37664-001

Display assembly subcomponents

To identify the display assembly subcomponents, use this illustration and table.

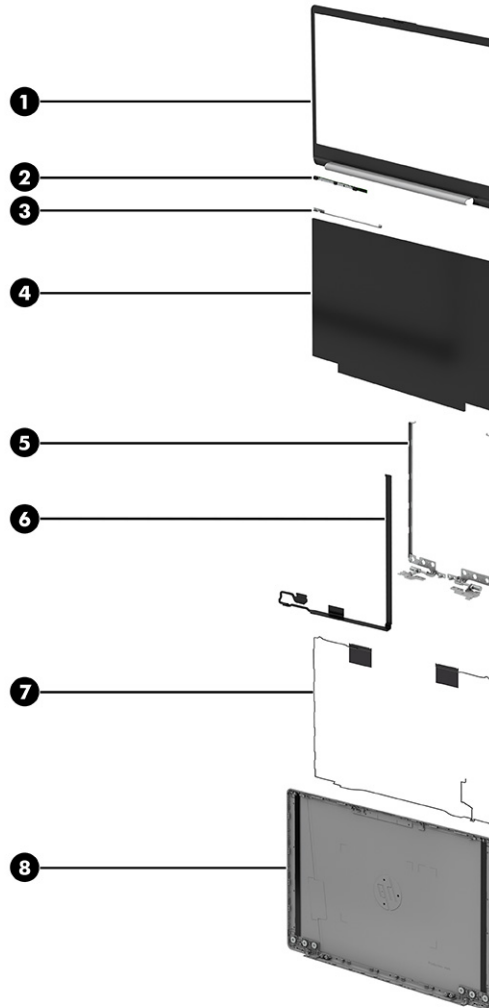


Table 3-2 Display component descriptions and part numbers

Item	Component	Spare part number
(1)	Display bezel	
	NOTE: Display bezel adhesive is available as spare part number N44094-001.	
	Natural silver, aluminum	N35856-001
	Natural silver	N35857-001

Table 3-2 Display component descriptions and part numbers (continued)

Item	Component	Spare part number
	Warm gold	N35858-001
	Diamond white	N35859-001
	Moonlight blue	N35860-001
	Jet black	N35861-001
	Evening blue	N35862-001
(2)	Camera module (includes rubber piece)	
	FHD	N36322-001
	HD	N36321-001
(3)	Display support bracket (available in the Bracket Kit)	not available as a spare part
(4)	Display panel	
	NOTE: Display panel adhesive is available as spare part number N44094-001.	
	FHD, antiglare, UWVA, 300 nits	N83000-001
	FHD, SVA, 250 nits	N35729-001
	HD, antiglare, SVA, 250 nits	N35730-001
(5)	Display hinges (includes left and right hinges)	N36320-001
(6)	Display/camera cable	
	HD	N36324-001
	FHD	N36325-001
(7)	WLAN antenna kit (includes antenna cables and transceivers)	
	Dual, plastic models	N36318-001
	Dual, aluminum models	N38532-001
(8)	Display back cover	
	Natural silver, aluminum	N36305-001
	Natural silver, plastic	N36306-001
	Warm gold	N36307-001
	Diamond white	N36308-001
	Midnight blue	N36309-001
	Jet black	N36310-001
	Evening blue	N36311-001
	Tranquil pink	P33159-001
	Waterfall blue	P33160-001

*not illustrated

Miscellaneous parts

To identify the miscellaneous parts, use this table.

Table 3-3 Miscellaneous part descriptions and part numbers

Component	Spare part number
AC adapter	
45 W, nPFC, USB Type-C, 1.8 m (6 ft)	L43407-001
45 W, nPFC, slim, 4.5mm	741727-001
Screw Kit	
	N36330-001
USB External DVD±RW drive	
	747080-001
Adhesive Kit	
	N44094-001
18L Travel Backpack 15.6	
	N20930-001
HP Reverse Protect Sleeve	
	L62792-001
Duck head adapter (for use in Japan)	
	L33157-001
Power cord (C5, 1.0 m [3.3 ft], conventional with sticker)	
For use in Argentina	L19357-001
For use in Australia	L19358-001
For use in Denmark	L19360-001
For use in Europe (bundle)	N16170-001
For use in Europe	L19361-001
For use in Europe (halogen free)	M79266-001
For use in India	L19363-001
For use in Italy	L19364-001
For use in Israel	L19362-001
For use in Japan	L19365-001
For use in North America	L19367-001
For use in the People's Republic of China	L19368-001
For use in South Africa	L19369-001
For use in South Korea	L19366-001
For use in Switzerland	L19370-001
For use in Taiwan	L19372-001
For use in Thailand (bundle)	M85418-001
For use in Thailand	L19371-001
For use in the United Kingdom	L19373-001
Power cord (C5, 1.8 m [6.0 ft], conventional with sticker)	
For use in Argentina	L19357-002

Table 3-3 Miscellaneous part descriptions and part numbers (continued)

Component	Spare part number
For use in Australia	L19358-002
For use in Brazil	L19359-002
For use in Brazil (duckhead)	L19341-002
For use in Denmark	L19360-002
For use in Europe (bundle)	N16170-002
For use in Europe	L19361-002
For use in India	L19363-002
For use in Italy	L19364-002
For use in Israel	L19362-002
For use in Japan	L19365-002
For use in North America	L19367-002
For use in the People's Republic of China	L19368-002
For use in South Africa	L19369-002
For use in South Korea	L19366-002
For use in Switzerland	L19370-002
For use in Taiwan	L19372-002
For use in Thailand (bundle)	M85418-002
For use in Thailand	L19371-002
For use in the United Kingdom	L19373-002

4 Removal and replacement procedures preliminary requirements

Use this information to properly prepare to disassemble and reassemble the computer.


Tools required

You need the following tools to complete the removal and replacement procedures:

- Tweezers
- Nonconductive, nonmarking pry tool
- Magnetic Phillips P1 screwdriver

Service considerations

The following sections include some of the considerations that you must keep in mind during disassembly and assembly procedures.


 **NOTE:** As you remove each subassembly from the computer, place the subassembly and all accompanying screws away from the work area to prevent damage.

Plastic parts

Using excessive force during disassembly and reassembly can damage plastic parts.

Cables and connectors


Handle cables with extreme care to avoid damage.

 **IMPORTANT:** When servicing the computer, be sure that cables are placed in their proper locations during the reassembly process. Improper cable placement can damage the computer.

Apply only the tension required to unseat or seat the cables during removal and insertion. Handle cables by the connector whenever possible. In all cases, avoid bending, twisting, or tearing cables. Be sure that cables are routed so that they cannot be caught or snagged as you remove or replace parts. Handle flex cables with extreme care; these cables tear easily.

Drive handling

Note the following guidelines when handling drives.

 **IMPORTANT:** Drives are fragile components. Handle them with care. To prevent damage to the computer, damage to a drive, or loss of information, observe these precautions:


- Before removing or inserting a hard drive, shut down the computer. If you are unsure whether the computer is off or in Hibernation or Sleep mode, turn the computer on, and then shut it down through the operating system.

- Before handling a drive, be sure that you are discharged of static electricity. While handling a drive, avoid touching the connector.
 - Before removing an optical drive, be sure that a disc is not in the drive, and be sure that the optical drive tray is closed.
 - Handle drives on surfaces covered with at least 2.54 cm (1 inch) of shock-proof foam.
 - Avoid dropping drives from any height onto any surface.
 - After removing a hard drive or an optical drive, place it in a static-proof bag.
 - Avoid exposing an internal hard drive to products that have magnetic fields, such as monitors or speakers.
 - Avoid exposing a drive to temperature extremes or liquids.
 - If a drive must be mailed, place the drive in a bubble pack mailer or other suitable form of protective packaging, and label the package "FRAGILE."
-

Electrostatic discharge information

A sudden discharge of static electricity from your finger or other conductor can destroy static-sensitive devices or microcircuitry. Often the spark is neither felt nor heard, but damage occurs. An electronic device exposed to electrostatic discharge (ESD) might not appear to be affected at all and can work perfectly throughout a normal cycle. The device might function normally for a while, but it has been degraded in the internal layers, reducing its life expectancy.

Networks built into many integrated circuits provide some protection, but in many cases, the discharge contains enough power to alter device parameters or melt silicon junctions.

 **IMPORTANT:** To prevent damage to the device when you remove or install internal components, observe these precautions:

- Keep components in their electrostatic-safe containers until you are ready to install them.
 - Before touching an electronic component, discharge static electricity by using the guidelines described in [Personal grounding methods and equipment on page 25](#).
 - Avoid touching pins, leads, and circuitry. Handle electronic components as little as possible.
 - If you remove a component, place it in an electrostatic-safe container.
-


Generating static electricity

Follow these static electricity guidelines:

- Different activities generate different amounts of static electricity.
- Static electricity increases as humidity decreases.

Table 4-1 Static electricity occurrence based on activity and humidity

Event	55% relative humidity	40% relative humidity	10% relative humidity
Walking across carpet	7,500 V	15,000 V	35,000 V
Walking across vinyl floor	3,000 V	5,000 V	12,000 V
Motions of bench worker	400 V	800 V	6,000 V
Removing dual in-line packages (DIPs) from plastic tube	400 V	700 V	2,000 V
Removing DIPs from vinyl tray	2,000 V	4,000 V	11,500 V
Removing DIPs from polystyrene foam	3,500 V	5,000 V	14,500 V
Removing bubble pack from PCB (printed circuit board)	7,000 V	20,000 V	26,500 V
Packing PCBs in foam-lined box	5,000 V	11,000 V	21,000 V

 **NOTE:** Multiple electric components can be packaged together in plastic tubes, trays, or polystyrene foam.

As little as 700 V of static electricity can degrade a product.

Preventing electrostatic damage to equipment

Many electronic components are sensitive to ESD. Circuitry design and structure determine the degree of sensitivity.

The following packaging and grounding precautions are necessary to prevent static electricity damage to electronic components:

- To avoid hand contact, transport products in static-safe containers such as tubes, bags, or boxes.
- Protect all electrostatic parts and assemblies with conductive or approved containers or packaging.
- Keep electrostatic-sensitive parts in their containers until they arrive at static-free stations.
- Place items on a grounded surface before removing them from their container.
- Always be properly grounded when touching a sensitive component or assembly.
- Avoid contact with pins, leads, or circuitry.
- Place reusable electrostatic-sensitive parts from assemblies in protective packaging or conductive foam.

Personal grounding methods and equipment

Using certain equipment can prevent static electricity damage to electronic components.

- **Wrist straps** are flexible straps with a maximum of $1\text{ M}\Omega \pm 10\%$ resistance in the ground cords. To provide proper ground, wear a strap snug against bare skin. Verify that the ground cord is connected and fits snugly into the banana plug connector on the grounding mat or workstation.
- You can use **heel straps, toe straps, and boot straps** at standing workstations. These straps are compatible with most types of shoes or boots. On conductive floors or dissipative floor mats, use them on both feet with a maximum of $1\text{ M}\Omega \pm 10\%$ resistance between the operator and ground.

Table 4-2 Static shielding protection levels

Method	Voltage
Antistatic plastic	1,500
Carbon-loaded plastic	7,500
Metallized laminate	15,000

Grounding the work area

To prevent static damage at the work area, follow these precautions:

- Cover the work surface with approved static-dissipative material.
- Use a wrist strap connected to a properly grounded work surface and use properly grounded tools and equipment.
- Use static-dissipative mats, foot straps, or air ionizers to give added protection.
- Handle electrostatic sensitive components, parts, and assemblies by the case or PCB laminate. Handle them only at static-free work areas.
- Turn off power and input signals before inserting and removing connectors or test equipment.
- Use fixtures made of static-safe materials when fixtures must directly contact dissipative surfaces.
- Keep the work area free of nonconductive materials, such as ordinary plastic assembly aids and polystyrene foam.
- Use conductive field service tools, such as cutters, screwdrivers, and vacuums.
- Avoid contact with pins, leads, or circuitry.

Recommended materials and equipment

HP recommends certain materials and equipment to prevent static electricity:

- Antistatic tape
- Antistatic smocks, aprons, or sleeve protectors
- Conductive bins and other assembly or soldering aids
- Conductive foam
- Conductive tabletop workstations with ground cord of $1\text{ M}\Omega \pm 10\%$ resistance
- Static-dissipative table or floor mats with hard tie to ground
- Field service kits
- Static awareness labels
- Wrist straps and footwear straps providing $1\text{ M}\Omega \pm 10\%$ resistance
- Material handling packages
- Conductive plastic bags

- Conductive plastic tubes
- Conductive tote boxes
- Opaque shielding bags
- Transparent metallized shielding bags
- Transparent shielding tubes

Cleaning your computer

Cleaning your computer regularly removes dirt and debris so that your device continues to operate at its best. Use the following information to safely clean the external surfaces of your computer.

Enabling HP Easy Clean (select products only)

HP Easy Clean helps you to avoid accidental input while you clean the computer surfaces. This software disables devices such as the keyboard, touch screen, and touchpad for a preset amount of time so that you can clean all computer surfaces.


1. Start HP Easy Clean in one of the following ways:
 - Select the **Start** menu, and then select **HP Easy Clean**.
 - Select the **HP Easy Clean** icon in the taskbar.
 - Select **Start**, and then select the **HP Easy Clean** tile.
2. Now that your device is disabled for a short period, see [Removing dirt and debris from your computer on page 27](#) for the recommended steps to clean the high-touch, external surfaces on your computer. After you remove the dirt and debris, you can also clean the surfaces with a disinfectant. See [Cleaning your computer with a disinfectant on page 28](#) for guidelines to help prevent the spread of harmful bacteria and viruses.

Removing dirt and debris from your computer


Here are the recommended steps to clean dirt and debris from your computer.

For computers with wood veneer, see [Caring for wood veneer \(select products only\) on page 29](#).


1. Wear disposable gloves made of latex (or nitrile gloves, if you are latex-sensitive) when cleaning the surfaces.
2. Turn off your device and unplug the power cord and other connected external devices. Remove any installed batteries from items such as wireless keyboards.

 **CAUTION:** To prevent electric shock or damage to components, never clean a product while it is turned on or plugged in.

3. Moisten a microfiber cloth with water. The cloth should be moist, but not dripping wet.

 **IMPORTANT:** To avoid damaging the surface, avoid abrasive cloths, towels, and paper towels.

4. Wipe the exterior of the product gently with the moistened cloth.

 **IMPORTANT:** Keep liquids away from the product. Avoid getting moisture in any openings. If liquid makes its way inside your HP product, it can cause damage to the product. Do not spray liquids directly on the product. Do not use aerosol sprays, solvents, abrasives, or cleaners containing hydrogen peroxide or bleach that might damage the finish.

5. Start with the display (if applicable). Wipe carefully in one direction, and move from the top of the display to the bottom. Finish with any flexible cables, like power cord, keyboard cable, and USB cables.
6. Be sure that surfaces have completely air-dried before turning the device on after cleaning.
7. Discard the gloves after each cleaning. Clean your hands immediately after you remove the gloves.

See [Cleaning your computer with a disinfectant on page 28](#) for recommended steps to clean the high-touch, external surfaces on your computer to help prevent the spread of harmful bacteria and viruses.


Cleaning your computer with a disinfectant

The World Health Organization (WHO) recommends cleaning surfaces, followed by disinfection, as a best practice for preventing the spread of viral respiratory illnesses and harmful bacteria.


After cleaning the external surfaces of your computer using the steps in [Removing dirt and debris from your computer on page 27](#), [Caring for wood veneer \(select products only\) on page 29](#), or both, you might also choose to clean the surfaces with a disinfectant. A disinfectant that is within HP's cleaning guidelines is an alcohol solution consisting of 70% isopropyl alcohol and 30% water. This solution is also known as rubbing alcohol and is sold in most stores.


Follow these steps when disinfecting high-touch, external surfaces on your computer:

1. Wear disposable gloves made of latex (or nitrile gloves, if you are latex-sensitive) when cleaning the surfaces.
2. Turn off your device and unplug the power cord and other connected external devices. Remove any installed batteries from items such as wireless keyboards.


 **CAUTION:** To prevent electric shock or damage to components, never clean a product while it is turned on or plugged in.

3. Moisten a microfiber cloth with a mixture of 70% isopropyl alcohol and 30% water. The cloth should be moist, but not dripping wet.

 **CAUTION:** Do not use any of the following chemicals or any solutions that contain them, including spray-based surface cleaners: bleach, peroxides (including hydrogen peroxide), acetone, ammonia, ethyl alcohol, methylene chloride, or any petroleum-based materials, such as gasoline, paint thinner, benzene, or toluene.

 **IMPORTANT:** To avoid damaging the surface, avoid abrasive cloths, towels, and paper towels.

4. Wipe the exterior of the product gently with the moistened cloth.

 **IMPORTANT:** Keep liquids away from the product. Avoid getting moisture in any openings. If liquid makes its way inside your HP product, it can cause damage to the product. Do not spray liquids directly on the product. Do not use aerosol sprays, solvents, abrasives, or cleaners containing hydrogen peroxide or bleach that might damage the finish.

5. Start with the display (if applicable). Wipe carefully in one direction, and move from the top of the display to the bottom. Finish with any flexible cables, like power cord, keyboard cable, and USB cables.
6. Be sure that surfaces have completely air-dried before turning the device on after cleaning.
7. Discard the gloves after each cleaning. Clean your hands immediately after you remove the gloves.

Caring for wood veneer (select products only)

Your product might feature high-quality wood veneer. As with all natural wood products, proper care is important for best results over the life of the product. Because of the nature of natural wood, you might see unique variations in the grain pattern or subtle variations in color, which are normal.

- Clean the wood with a dry, static-free microfiber cloth or chamois.
- Avoid cleaning products containing substances such as ammonia, methylene chloride, acetone, turpentine, or other petroleum-based solvents.
- Do not expose the wood to sun or moisture for long periods of time.
- If the wood becomes wet, dry it by dabbing with an absorbent, lint-free cloth.
- Avoid contact with any substance that might dye or discolor the wood.
- Avoid contact with sharp objects or rough surfaces that might scratch the wood.

See [Removing dirt and debris from your computer on page 27](#) for the recommended steps to clean the high-touch, external surfaces on your computer. After you remove the dirt and debris, you can also clean the surfaces with a disinfectant. See [Cleaning your computer with a disinfectant on page 28](#) for sanitizing guidelines to help prevent the spread of harmful bacteria and viruses.

Packaging and transporting guidelines

Follow these grounding guidelines when packaging and transporting equipment:

- To avoid hand contact, transport products in static-safe tubes, bags, or boxes.
- Protect ESD-sensitive parts and assemblies with conductive or approved containers or packaging.
- Keep ESD-sensitive parts in their containers until the parts arrive at static-free workstations.
- Place items on a grounded surface before removing items from their containers.
- Always be properly grounded when touching a component or assembly.
- Store reusable ESD-sensitive parts from assemblies in protective packaging or nonconductive foam.
- Use transporters and conveyors made of antistatic belts and roller bushings. Be sure that mechanized equipment used for moving materials is wired to ground and that proper materials are selected to avoid static charging. When grounding is not possible, use an ionizer to dissipate electric charges.

Accessing support information

To find the HP support that you need, use this information.

Table 4-3 Support information locations



Service consideration	Path to access information
<p>Records of reported failure incidents stored on the computer</p>	<p>Windows®:</p> <p>Preoperating system failures are logged in the BIOS Event Log. To view the BIOS Event Log:</p> <ol style="list-style-type: none"> 1. Press the power button. 2. Immediately and repeatedly press esc when the power button light turns white. <p>NOTE: If you do not press esc at the appropriate time, you must restart the computer and again repeatedly press esc when the power button light turns white to access the utility.</p> <ol style="list-style-type: none"> 3. Press f10 to enter the BIOS setup. 4. Complete one of these tasks: <ul style="list-style-type: none"> • (On commercial products) Under the Main tab, select BIOS event log, and then select View BIOS Event Log. • (On consumer products) Under the Main tab, select System Log. <p>Post-operating system failures are logged in the Event Viewer.</p> <ol style="list-style-type: none"> 1. Turn on the computer and allow the operating system to open. 2. Select the search icon  in the taskbar. 3. Type <code>Event Viewer</code>, and then press enter. 4. Select the log from the left panel. Details display in the right panel. <p>Chrome™:</p> <ol style="list-style-type: none"> 1. Go to support.google.com/chrome. 2. Search <code>collect Chrome device logs</code>.
<p>Technical bulletins</p>	<p>To locate technical bulletins:</p> <ol style="list-style-type: none"> 1. Go to www.hp.com. 2. Place the cursor over Problem solving to display more options. 3. Select Support & Troubleshooting. 4. Type the serial number, product number, or product name to go to the product support page. 5. Select Advisories to view technical bulletins.
<p>Repair professionals</p>	<p>To locate repair professionals:</p> <ol style="list-style-type: none"> 1. Go to www.hp.com. 2. Place the cursor over Support resources to display more options. 3. Select Authorized service providers.


Table 4-3 Support information locations (continued)

Service consideration	Path to access information
Component and diagnosis information, failure detection, and required action	To locate diagnosis information and actions: <ol style="list-style-type: none"><li data-bbox="703 310 1206 331">1. Go to http://www.hp.com/go/techcenter/pcdiags.<li data-bbox="703 359 938 380">2. Select Get Support.<li data-bbox="703 407 1445 457">3. Near the bottom of the window, select Notebook PCs, and then select your location.

5 Removal and replacement procedures for Customer Self-Repair parts


This chapter provides removal and replacement procedures for Customer Self-Repair parts.


 **NOTE:** The Customer Self-Repair program is not available in all locations. Installing a part that is not supported by the Customer Self-Repair program can void your warranty. Check your warranty to determine whether Customer Self-Repair is supported in your location.

 **NOTE:** The [HP Support YouTube Channel](#) (in English) has videos that provide step-by-step removal and replacement instructions for many common parts and models.

Component replacement procedures

To remove and replace computer components, use these procedures.

 **NOTE:** Details about your computer, including model, serial number, product key, and length of warranty, are on the service tag at the bottom of your computer.

 **NOTE:** HP continually improves and changes product parts. For complete and current information about supported parts for your computer, go to <https://partsurfer.hp.com/>, select your country or region, and then follow the on-screen instructions.

Make special note of each screw size and location during removal and replacement.

Preparation for disassembly

To remove and replace computer components, use these procedures:

See [Removal and replacement procedures preliminary requirements on page 23](#) for initial safety procedures.

1. Turn off the computer. If you are unsure whether the computer is off or in Hibernation, turn the computer on, and then shut it down through the operating system.
2. Disconnect the power from the computer by unplugging the power cord from the computer.
3. Disconnect all external devices from the computer.

Bottom cover

To remove the bottom cover, use this procedure and illustration.

Table 5-1 Bottom cover description and part number

Description	Spare part number
Natural silver	N35863-001
Jet black	N35864-001
Natural silver (models with USB-C)	N83001-001

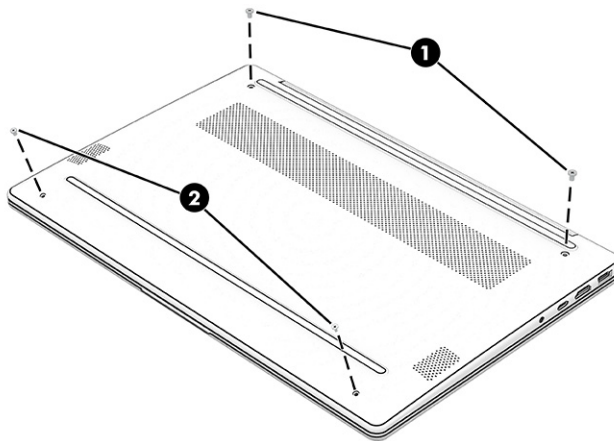
Table 5-1 Bottom cover description and part number (continued)

Description	Spare part number
Jet black (models with USB-C)	N83002-001
Evening blue (models with USB-C)	N83003-001
Tranquil pink	P33161-001
Waterfall blue	P33162-001

Before removing the bottom cover, prepare the computer for disassembly (see [Preparation for disassembly on page 41](#)).

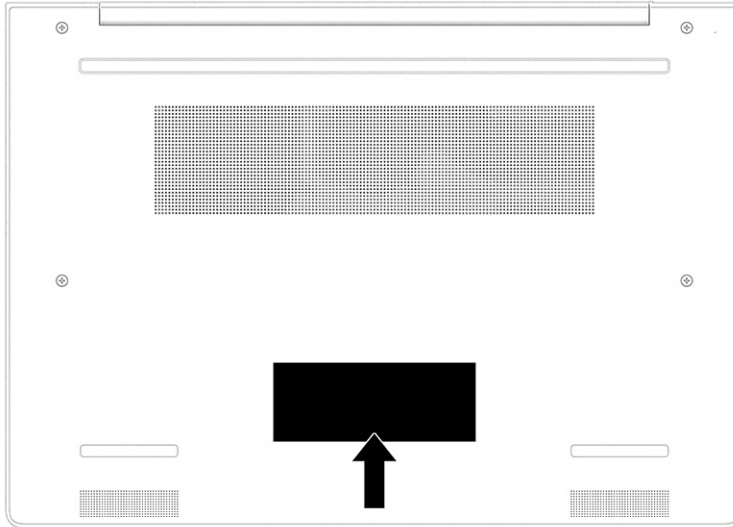
Remove the bottom cover:

1. Close the computer and rest it upside down on a flat work surface with the front toward you.
2. Remove the top two Phillips M2.5 × 6.0 screws (1) that secure the bottom cover to the computer.
3. Remove the bottom two Phillips M2.0 × 4.0 screws (2) that secure the bottom cover to the computer.



4. Insert a thin, plastic tool in the seam at the top between the bottom cover and computer to release the bottom cover, and then remove the bottom cover from the computer.





Battery

The battery removal procedure differs depending on whether you are removing and replacing the existing battery or installing a new battery. To install a new battery, you must use a revive kit.

- To remove and replace the existing battery, see [Removing and reinstalling the same battery on page 35](#).
- To install a new battery, see [Installing a new battery on page 36](#).

Removing and reinstalling the same battery

To remove the battery and reinstall it, use this procedure and illustration.

⚠ WARNING! To avoid personal injury and damage to the product:

- Do *not* puncture, twist, or crack the battery.
 - Do *not* cause an external puncture or rupture to the battery, which can cause a short inside the battery that can result in battery thermal runaway.
 - Do *not* handle or touch the battery enclosure with sharp objects such as tweezers or pliers, which might puncture the battery.
 - Do *not* compress or squeeze the battery case with tools or heavy objects stacked on top of the case. These actions can apply undue force on the battery.
 - Do *not* touch the connectors with any metallic surface or object, such as metal tools, screws, or coins, which can cause shorting across the connectors.
-

For additional battery information, see the *Regulatory, Safety, and Environmental Notices*. To access this guide, select the **Search** icon in the taskbar, type `HP Documentation` in the search box, and then select **HP Documentation**.

Before removing the battery, follow these steps:

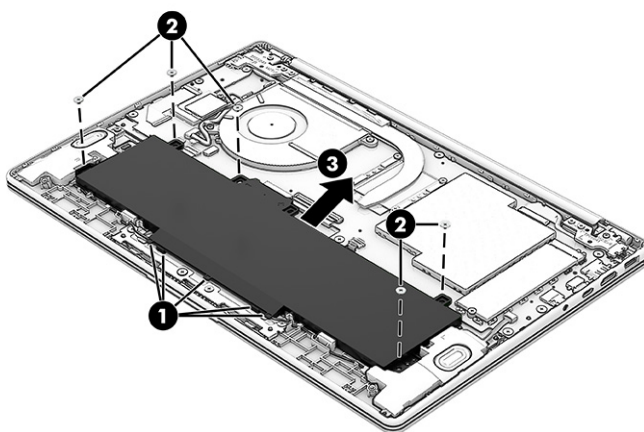
1. Prepare the computer for disassembly (see [Preparation for disassembly on page 32](#)).
2. Remove the bottom cover (see [Bottom cover on page 32](#)).

⚠ WARNING! To reduce potential safety issues, use only the user-replaceable battery provided with the computer, a replacement battery provided by HP, or a compatible battery purchased from HP.

📌 IMPORTANT: Removing a battery that is the sole power source for the computer can cause loss of information. To prevent loss of information, save your work or shut down the computer through Windows before you remove the battery.

Remove the battery:

1. Remove the speaker cable from the clips along the bottom of the battery (1).
2. Remove the five Phillips M2.0 × 3.5 screws (2) that secure the battery to the computer.
3. Lift the top of the battery up and then pull into the computer to remove it (3).



To reinstall the battery, reverse the removal procedures.

📌 NOTE: When reinstalling the battery, be sure to completely reassemble the computer and plug in the AC adapter before turning the computer on.

Installing a new battery

To replace the battery, use these procedures and illustrations. You must use a revive kit to remove the old battery and install a new one. The revive kit includes an empty containment tray and a containment tray with a battery preinstalled.

Table 5-2 Battery description and part number

Description	Spare part number
Battery (3 cell, 41 Whr)	N21969-005

Before starting this replacement procedure:

- Ensure other individuals are sufficiently clear of your workspace.
- Ensure your workspace is clear of any flammable material such as paper or oils.

- Locate the nearest ABC dry chemical fire-extinguisher for use in an emergency.

⚠ WARNING! This procedure requires removing the battery or disconnecting the battery cable. Use care to avoid bending, twisting, or puncturing the battery regardless of its condition. Failure to follow this replacement guide or to use HP recommended tools might damage the system and/or cause a safety hazard.

- Do *not* remove the battery from the containment tray.
- Do *not* handle or touch the battery enclosure with sharp objects such as tweezers or pliers, which might puncture the battery.
- Do *not* touch the connectors with any metallic surface or object, such as metal tools, screws, or coins, which can cause shorting across the connectors.

Should a part become stuck or difficult to remove when opening a unit where a swollen battery is suspected, or if the battery becomes stuck in the unit, stop, and contact HP Support for assistance. Do not try to remove a battery by force.

📝 NOTE: Screw locations, latch locations, and internal components might vary.

Before removing the battery, follow these steps:

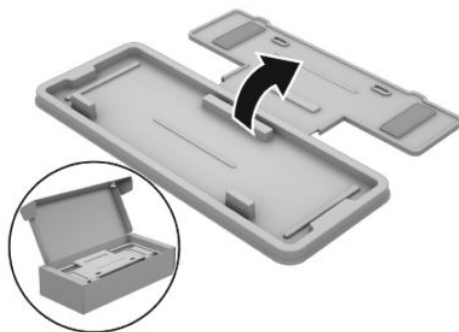
1. Prepare the computer for disassembly (see [Preparation for disassembly on page 41](#)).
2. Remove the bottom cover (see [Bottom cover on page 32](#)).

⚠ WARNING! To reduce potential safety issues, use only the user-replaceable battery provided with the computer, a replacement battery provided by HP, or a compatible battery purchased from HP.

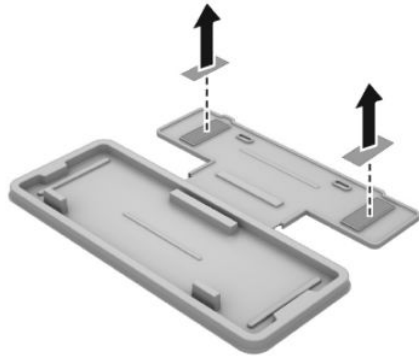
📝 IMPORTANT: Removing a battery that is the sole power source for the computer can cause loss of information. To prevent loss of information, save your work or shut down the computer through Windows before you remove the battery.

Remove the battery:

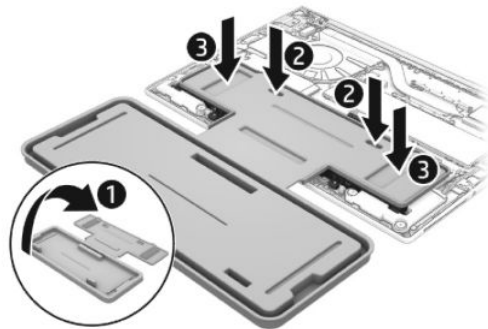
1. To remove the battery using the revive kit:
 - a. Open the empty battery containment tray.



- b. Remove the paper backing layer from the adhesive on the tray.

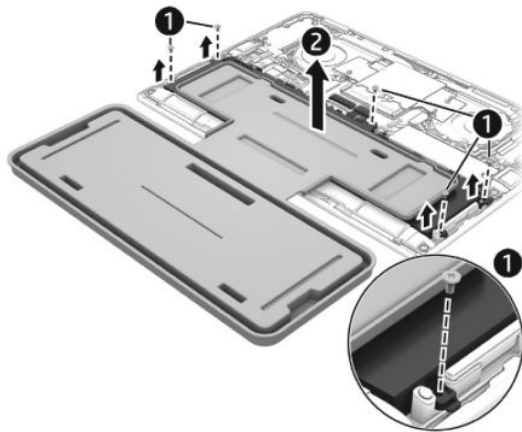


- c. Turn the tray (1) over so that the adhesive is facing down.
- d. Place the tray (2) centered on the battery.
- e. Press down on the indentations on the tray (3) to adhere it to the battery.

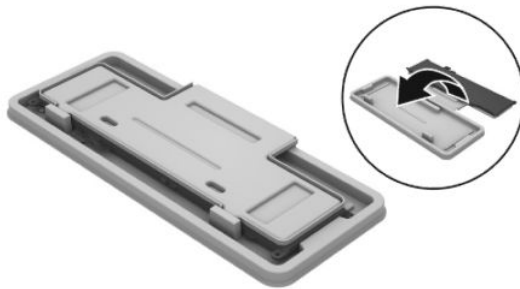



- f. Remove the Phillips screws (1) that secure the battery to the computer. Screw locations might vary.

- g. Lift the top of the tray (2) to remove the battery from the computer.




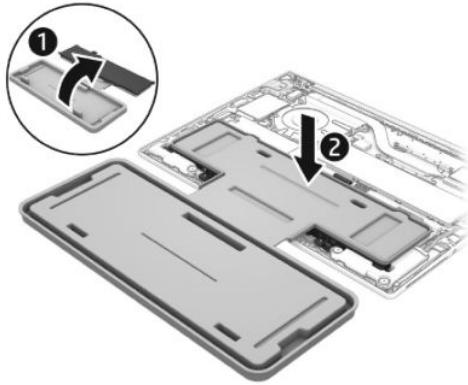
- h. Rotate the battery up and over into the cavity of the containment tray.



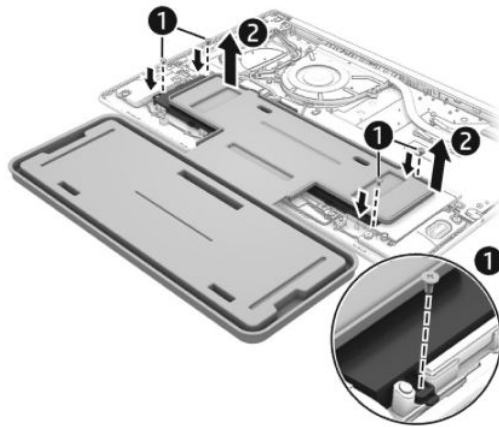
 **NOTE:** Please recycle responsibly. For more information about recycling programs, see the HP website at <http://www.hp.com/recycle>.


2. To install the battery using the revive kit:
- a. Open the containment tray that includes the new battery.
 - b. Turn the tray (1) over so the battery is facing downward, and then insert the battery (2) into the computer. Adhesive secures the battery to the tray.

 **NOTE:** To avoid damage when inserting the battery into the computer, be sure that the power connector on the battery lines up and successfully mates with the connector on the system board.




- c. Install the screws (1) to secure the battery. Screw locations might vary.
- d. Lift the containment tray (2) off the battery,





 **NOTE:** When replacing the battery, be sure to completely reassemble the computer and plug in the AC adapter before turning the computer on.

6 Removal and replacement procedures for authorized service provider parts

This chapter provides removal and replacement procedures for authorized service provider parts.


 **IMPORTANT:** Only an authorized service provider should access the components described in this chapter. Accessing these parts can damage the computer or void the warranty.

 **NOTE:** Details about your computer, including model, serial number, product key, and length of warranty, are on the service tag at the bottom of your computer.

 **NOTE:** The [HP Support YouTube Channel](#) (in English) has videos that provide step-by-step removal and replacement instructions for many common parts and models.

Component replacement procedures

To remove and replace computer components, use the procedures described in this section.

 **NOTE:** HP continually improves and changes product parts. For complete and current information about supported parts for your computer, go to <https://partsurfer.hp.com/>, select your country or region, and then follow the on-screen instructions.

Make special note of each screw size and location during removal and replacement.

Preparation for disassembly

To remove and replace computer components, use these procedures:

For initial safety procedures, see [Removal and replacement procedures preliminary requirements on page 23](#).

1. Turn off the computer. If you are unsure whether the computer is off or in Hibernation or Sleep mode, turn the computer on, and then shut it down through the operating system.
2. Disconnect the power from the computer by unplugging the power cord from the computer.
3. Disconnect all external devices from the computer.

Solid-state drive

To remove the M.2 solid-state drive, use this procedure and illustration.

Table 6-1 Solid-state drive descriptions and part numbers

Description	Spare part number
1 TB, PCIe 4 × 4 (for use only in PRC)	N77394-005
1 TB, PCIe 4 × 4 (for use in all regions except PRC)	N45474-005
512 GB, PCIe 4 × 4 (for use only in PRC)	N77392-005

Table 6-1 Solid-state drive descriptions and part numbers (continued)

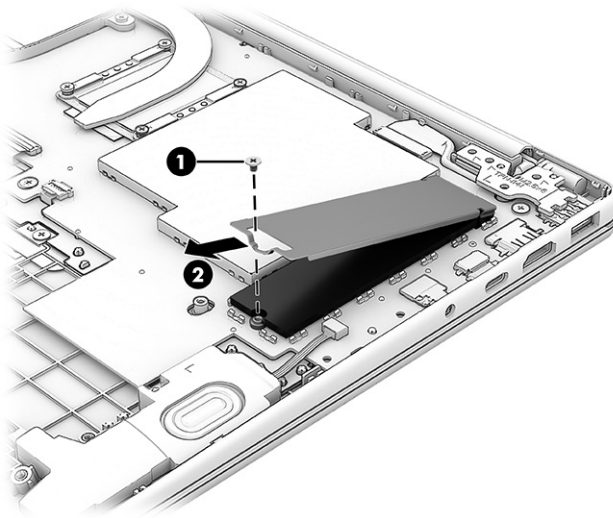
Description	Spare part number
512 GB, PCIe 4 × 4 (for use in all regions except PRC)	N45476-005
512 GB (for use in all regions except PRC)	L85364-005
256 GB, PCIe 4 × 4 (for use only in PRC)	N77391-005
256 GB (for use in all regions except PRC)	L85354-005
256 GB, PCIe 4 × 4 (for use in all regions except PRC)	N45477-005

Before removing the solid-state drive, follow these steps:

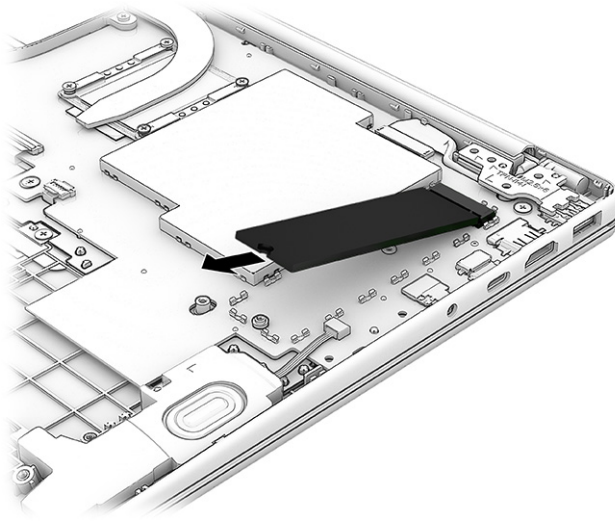
1. Prepare the computer for disassembly (see [Preparation for disassembly on page 41](#)).
2. Remove the bottom cover (see [Bottom cover on page 32](#)).
3. Remove the battery (see [Removing and reinstalling the same battery on page 35](#)).

Remove the solid-state drive:

1. Remove the Phillips M2.0 × 3.5 screw (1) that secures the drive cover, and then pull the cover away from the socket to remove it (2).



2. Pull the drive away from the socket to remove it.



To install the solid-state drive, reverse the removal procedures.



NOTE: Solid-state drives are designed with a notch to prevent incorrect insertion.

Memory modules

To remove the memory modules, use this procedure and illustration.

Table 6-2 Memory module descriptions and part numbers


Description	Spare part number
Memory module (DDR4-3200)	
16 GB (for use worldwide)	N77403-005
8 GB (for use worldwide)	L46598-005
4 GB (for use worldwide)	L83673-005
Memory module (DDR4-5600)	
16 GB (for use in all regions except PRC)	N38627-005
16 GB (for use in only PRC)	N77399-005
12 GB (for use worldwide)	P33447-005
8 GB (for use in all regions except PRC)	N37792-005
8 GB (for use only in PRC)	N77398-005

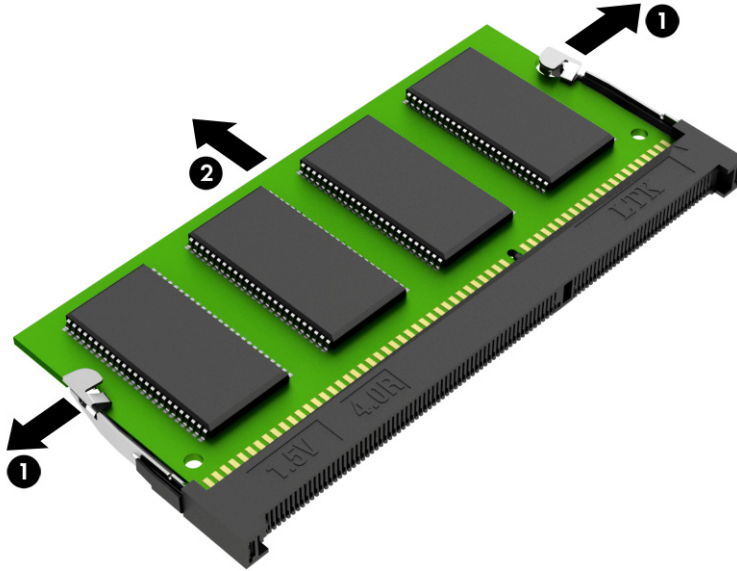
Before removing a memory module, follow these steps:

1. Prepare the computer for disassembly ([Preparation for disassembly on page 41](#)).
2. Remove the bottom cover (see [Bottom cover on page 32](#)).
3. Remove the battery (see [Removing and reinstalling the same battery on page 35](#)).

If you are replacing a memory module, remove the existing memory module:

- Spread the two retention clips outward (1) until the memory module tilts up at a 45° angle, and then remove the module (2). Use the same procedure to remove all memory modules.

 **IMPORTANT:** To prevent damage to the memory module, hold the memory module by the edges only. Do not touch the components on the memory module.

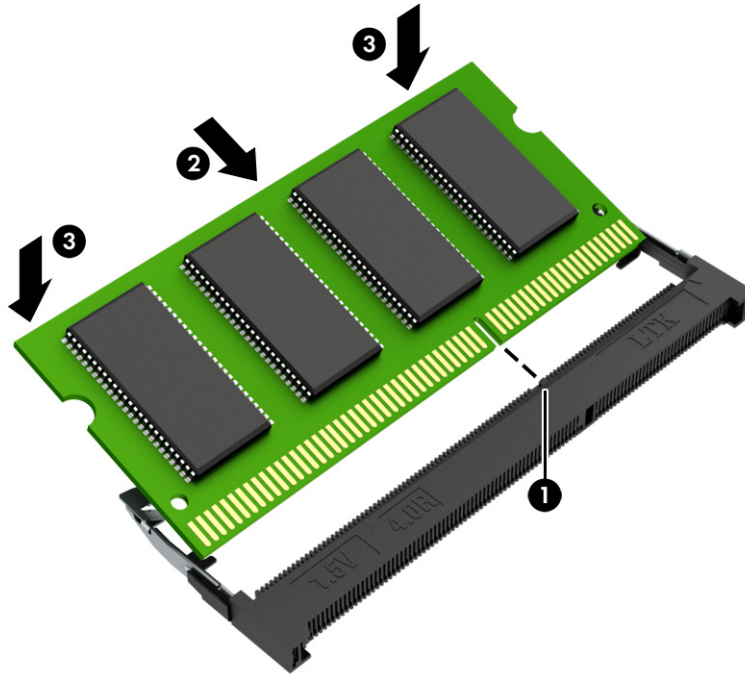


To protect a memory module after removal, place it in an electrostatic-safe container.

To install a memory module:

1. Align the notched edge of the module with the tab in the slot (1), and then press the module into the slot at an angle until it is seated (2).

2. Press down on the module until the side retention clips snap into place (3).



WLAN module

To remove the WLAN module, use this procedure and illustration.

Table 6-3 WLAN module descriptions and part numbers

Description	Spare part number
MediaTek MT7920 Wi-Fi 6 Bluetooth 5.4	P17386-005
Realtek Wi-Fi 6 RTL8852BE-VT + Bluetooth 5.4	P06350-005

IMPORTANT: To prevent an unresponsive system, replace the wireless module only with a wireless module authorized for use in the computer by the governmental agency that regulates wireless devices in your country or region. If you replace the module and then receive a warning message, remove the module to restore device functionality, and then contact technical support.


Before removing the WLAN module, follow these steps:

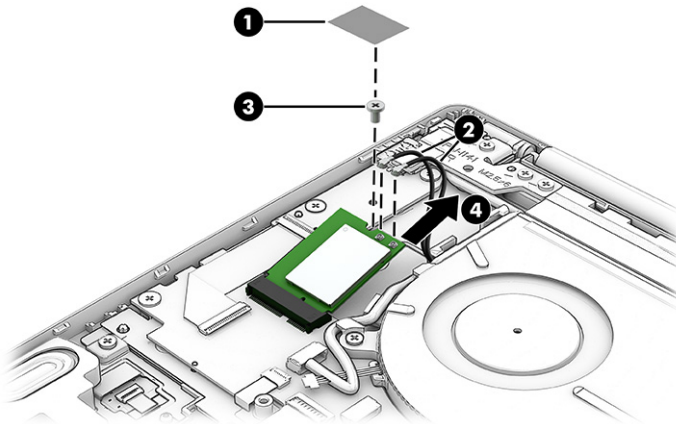
1. Prepare the computer for disassembly (see [Preparation for disassembly on page 41](#)).
2. Remove the bottom cover (see [Bottom cover on page 32](#)).
3. Remove the battery (see [Removing and reinstalling the same battery on page 35](#)).

Remove the WLAN module:

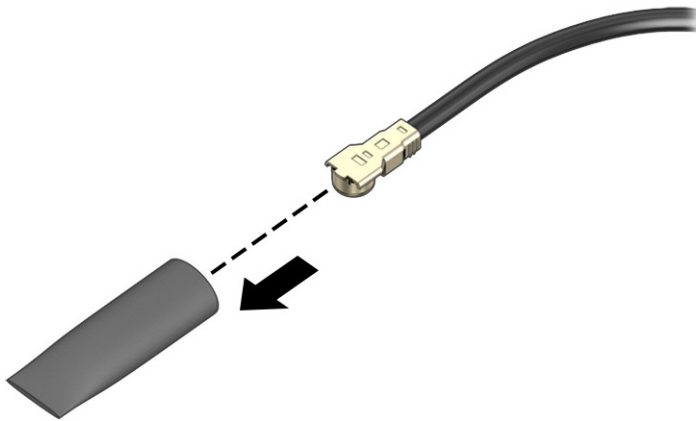
1. Remove the Mylar that covers the antenna connectors (1).
2. Carefully disconnect the two antenna cables from the module (2).

- Remove the Phillips M2.0 × 3.5 screw (3), and then pull the module out of the socket to remove it (4).

 **NOTE:** The #1 white WLAN antenna cable connects to the WLAN module #1 Main terminal. The #2 black WLAN antenna cable connects to the WLAN module #1 Aux terminal.



- If the WLAN antenna is not connected to the terminal on the WLAN module, install a protective sleeve on the antenna connector, as shown in the following illustration.



To install the WLAN module, reverse this procedure.

Speakers

To remove the speakers, use this procedure and illustration.

Table 6-4 Speaker description and part number

Description	Spare part number
Speaker Kit	N36316-001

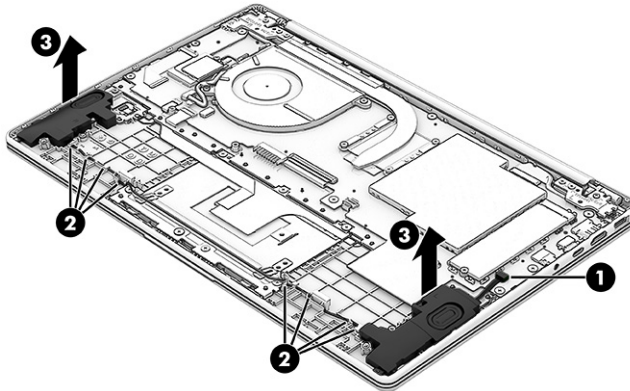
Before removing the speakers, follow these steps:

- Prepare the computer for disassembly (see [Preparation for disassembly on page 41](#)).
- Remove the bottom cover (see [Bottom cover on page 32](#)).

3. Remove the battery (see [Removing and reinstalling the same battery on page 35](#)).

Remove the speakers:

1. Disconnect the speaker cable from the system board (1).
2. Remove the cable between the speakers from the clips that secure it to the computer (2).
3. Remove the speakers from the computer (3).



To install the speakers, reverse this procedure.

Touchpad

To remove the touchpad, use this procedure and illustration.

Table 6-5 Touchpad description and part number

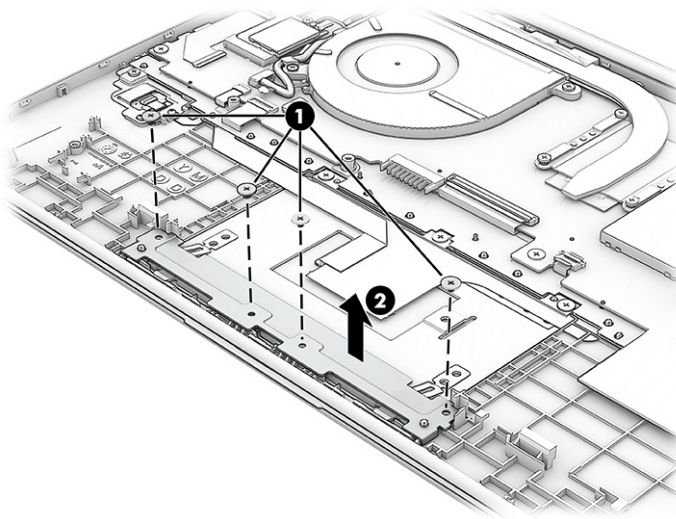
Description	Spare part number
Touchpad, natural silver	N35866-001
Touchpad, jet black	N35867-001
Touchpad, evening blue	N35868-001
Touchpad, tranquil pink	P33312-001
Touchpad, waterfall blue	P33313-001
Touchpad cable	N36327-001

Before removing the touchpad, follow these steps:

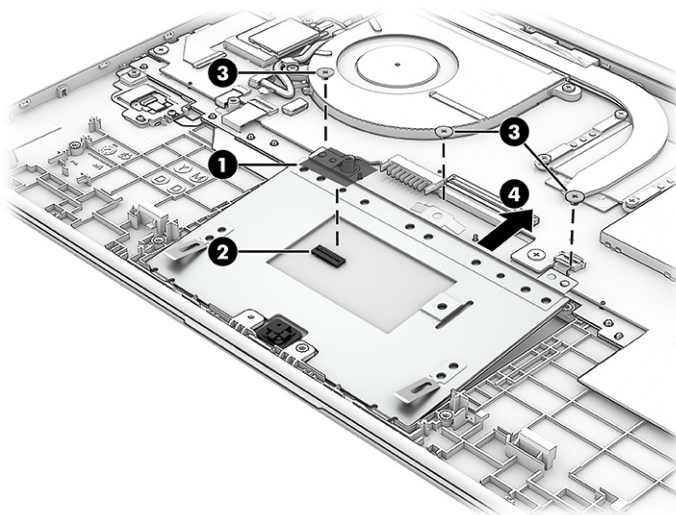
1. Prepare the computer for disassembly (see [Preparation for disassembly on page 41](#)).
2. Remove the bottom cover (see [Bottom cover on page 32](#)).
3. Remove the battery (see [Removing and reinstalling the same battery on page 35](#)).

Remove the touchpad:

1. Remove the four Phillips M2.0 × 2.5 screws (1) that secure the touchpad bracket to the computer, and then remove the bracket (2).



2. Remove the protective tape from the top of the connector on the touchpad (1).
3. Disconnect the cable (2) from the touchpad ZIF connector. The cable is secured with adhesive.
4. Remove the three broadhead Phillips M2.0 × 2.0 screws (3) that secure the touchpad to the computer.
5. Lift the top of the touchpad, and then pull it into the computer to remove it (4).



To install the touchpad, reverse this procedure.

Fingerprint reader (select products only)

To remove the fingerprint reader, use this procedure and illustration.

Table 6-6 Fingerprint reader description and part number

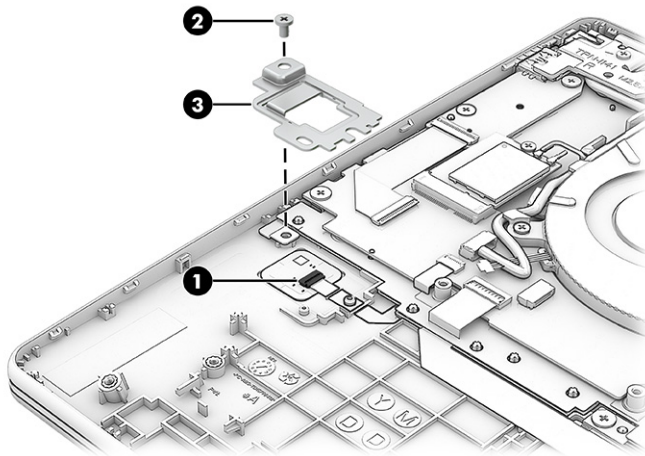
Description	Spare part number
Fingerprint reader	N36317-001
Fingerprint reader cable	N36328-001
Fingerprint reader (available in the Bracket Kit)	N40655-001

Before removing the fingerprint reader, follow these steps:

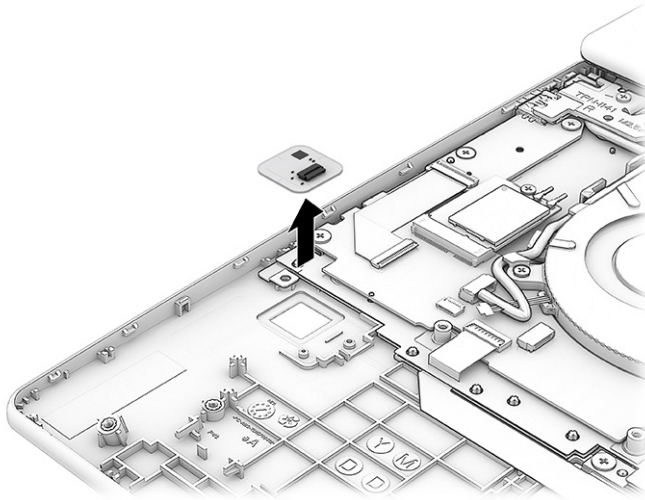
1. Prepare the computer for disassembly (see [Preparation for disassembly on page 41](#)).
2. Remove the bottom cover (see [Bottom cover on page 32](#)).
3. Remove the battery (see [Removing and reinstalling the same battery on page 35](#)).
4. Remove the right speaker (see [Speakers on page 46](#)).

Remove the fingerprint reader:

1. Disconnect the cable from the ZIF connector on the fingerprint reader **(1)**.
2. Remove the Phillips M2.0 × 3.5 screw **(2)** from the fingerprint reader bracket, and then remove the bracket **(3)**.

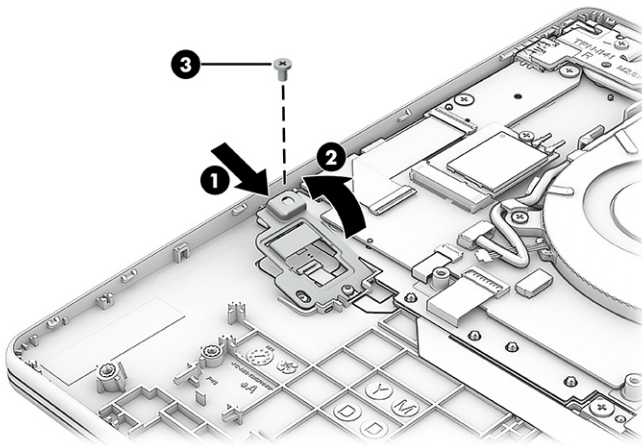


3. Remove the fingerprint reader from the computer. The fingerprint reader is secured with double-sided tape.



To install the fingerprint reader, reverse this procedure.

When replacing the fingerprint reader bracket, insert it into the tab on the computer chassis at an angle **(1)**, press it down into place **(2)**, and then install the screw **(3)**.



Fan

To remove the fan, use this procedure and illustration.

Table 6-7 Fan description and part number

Description	Spare part number
Fan	N36314-001

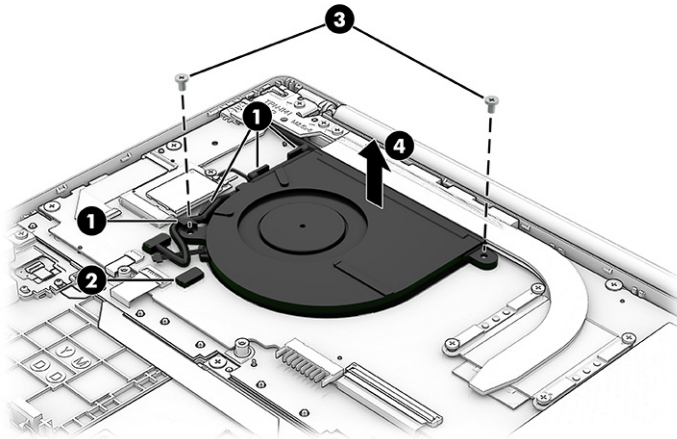
Before removing the fan, follow these steps:

1. Prepare the computer for disassembly (see [Preparation for disassembly on page 41](#)).

2. Remove the bottom cover (see [Bottom cover on page 32](#)).
3. Remove the battery (see [Removing and reinstalling the same battery on page 35](#)).

Remove the fan:

1. Remove the power connector cable and antenna cable from the clips on the side of the fan (1).
2. Disconnect the fan cable from the system board connector (2).
3. Remove the two Phillips M2.0 × 3.5 screws (3) that secure the fan to the computer, and then remove the fan (4).



To install the fan, reverse this procedure.

Display assembly

To remove and disassemble the display assembly, use these procedures and illustrations.

Full hinge-up displays are not available as spare parts. Spare parts for displays are available only at the subcomponent level.

Before removing the display panel, follow these steps:

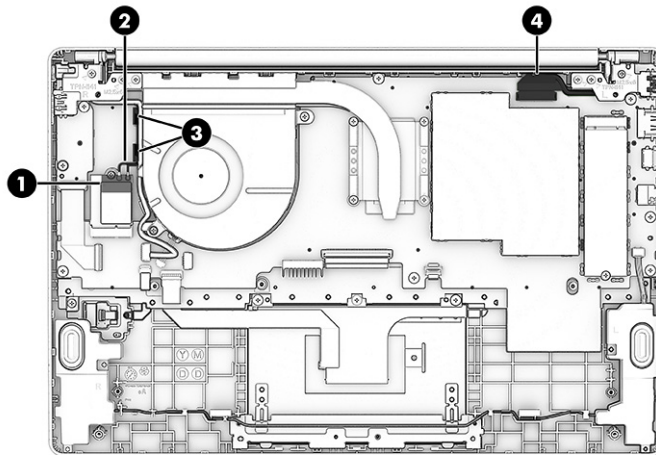
1. Prepare the computer for disassembly (see [Preparation for disassembly on page 41](#)).
2. Remove the bottom cover (see [Bottom cover on page 32](#)).
3. Remove the battery (see [Removing and reinstalling the same battery on page 35](#)).

Remove the display assembly:

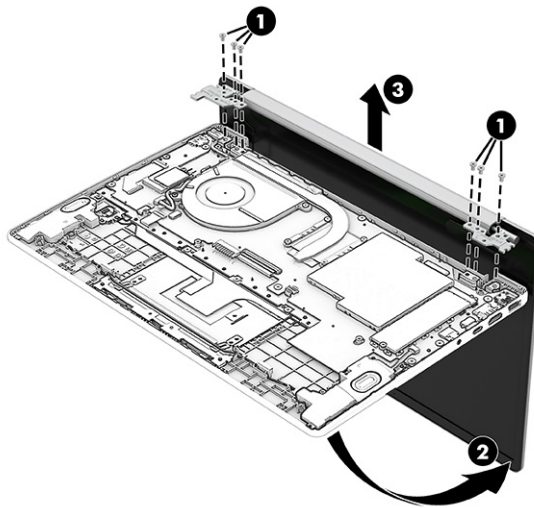
1. Remove the Mylar that covers the connectors on the WLAN module (1).
2. Disconnect the antenna cables (2) from the WLAN module.
3. Remove the antenna cable from the routing clips (3).

The **#1/MAIN** WLAN antenna cable connects to the WLAN module **#1/Main** terminal. The **#2/AUX** WLAN antenna cable connects to the WLAN module **#2/Aux** terminal.

4. Disconnect the display panel cable (4) from the ZIF connector on the system board.



5. Remove the six Phillips M2.5 × 6.0 screws (1) that secure the display assembly to the computer.
6. Open the display to 90° to open the hinges (2).
7. Separate the display from the computer (3).



8. To remove the display bezel:
 - a. Release the top, left, and right sides of the display bezel (1) from the display assembly.
 - b. Insert a flat, nonmarking tool into the seam at the bottom of the bezel (2) to release the bottom edge of the bezel (3) from the display assembly.
 - c. Remove the display bezel (4) from the display assembly.

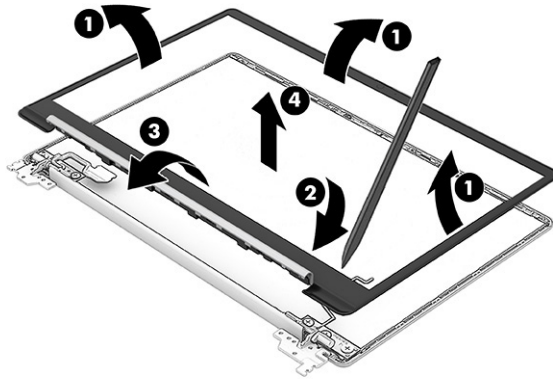
Bezel adhesive is available in the Adhesive Kit as spare part number N44094-001.

The bezel is available as the following spare part numbers:

N35856-001: Natural silver, aluminum finish

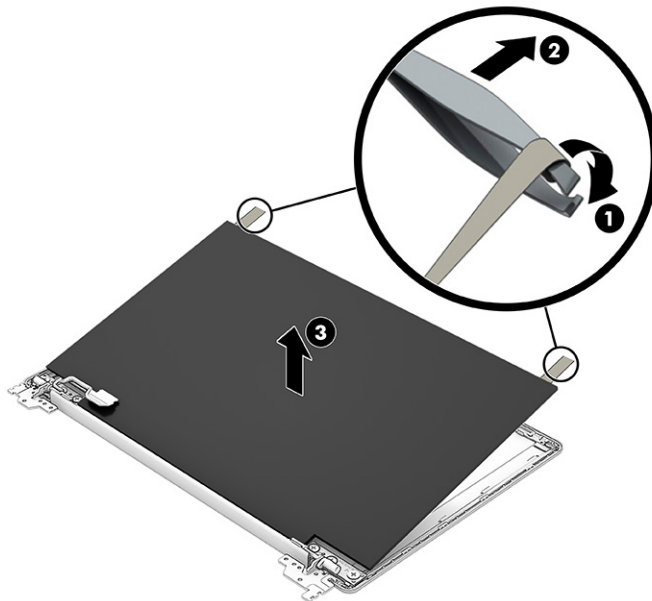
N35857-001: Natural silver, plastic finish

- N35858-001: Warm gold
- N35859-001: Diamond white
- N35860-001: Moonlight blue
- N35861-001: Jet black
- N35862-001: Evening blue



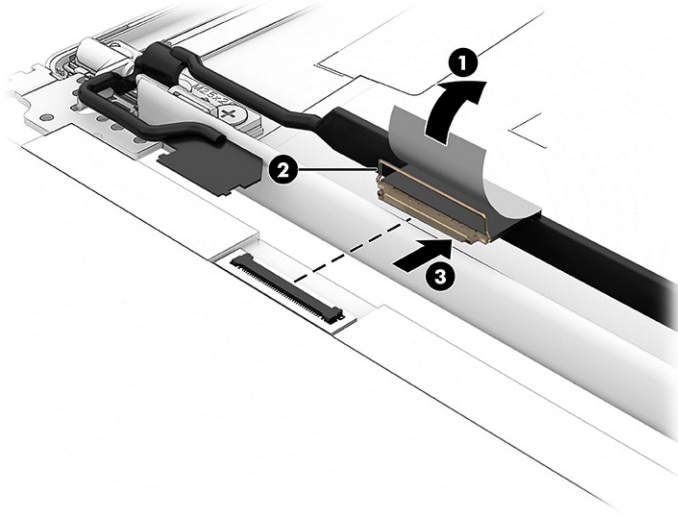
9. To remove the display panel:

- a.** On the bottom left and right sides of the display panel, use tweezers to grasp the ends of the stretchable tape that is installed under the panel.
- b.** While turning the tweezers (1), wrap the tape around the tweezers as you continue to pull the tape (2) out from behind the display panel.
- c.** Lift the panel and place it next to the display rear cover (3).

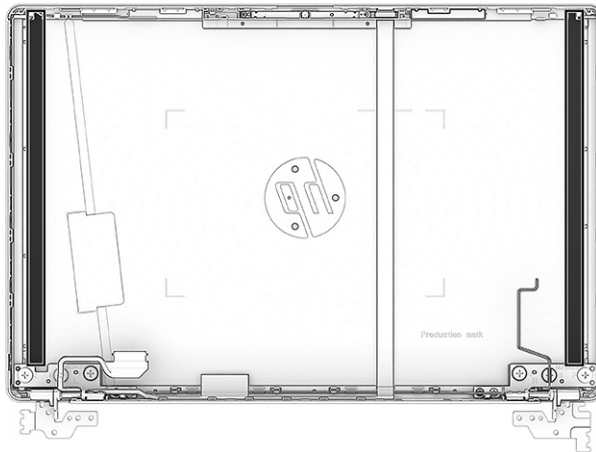


- d.** Remove the tape from on top of the connector on the back of the display panel (1).

- e. Lift the retainer bar (2), and then disconnect the cable from the panel (3).



- f. When replacing the display panel, use the following illustration to determine the proper installation locations of the stretchable tape on the display back cover.



Display panels are available as the following spare part numbers:

N83000-001—FHD, antiglare, UWVA, 300 nits

N35729-001—FHD, antiglare, SVA, 250 nits

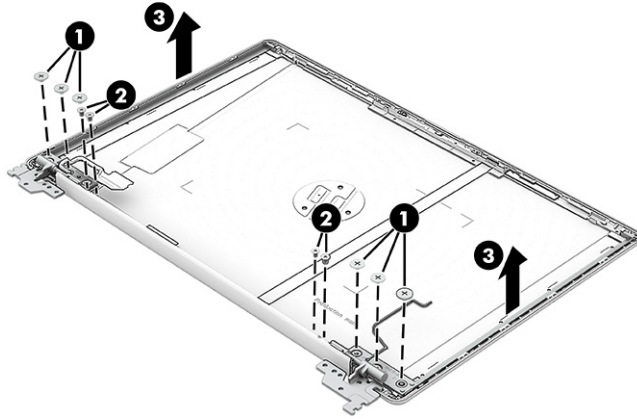
N35730-001—HD, antiglare, SVA, 250 nits

Display panel adhesive is available as spare part number N44094-001.

10. To remove the hinges from the display enclosure:

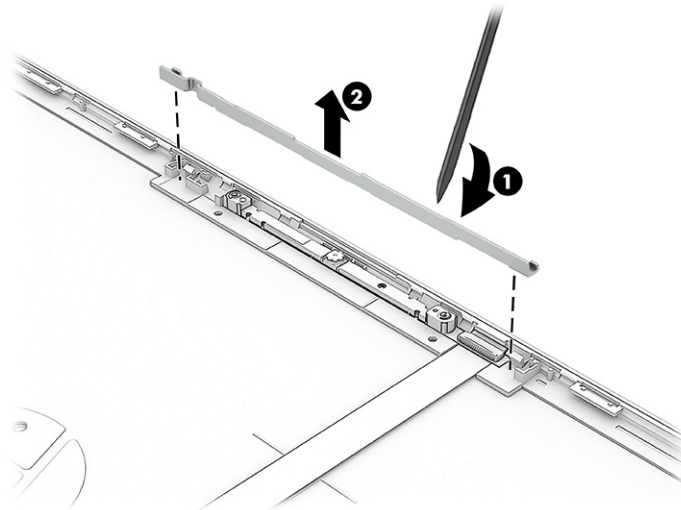
- a. Remove the three Phillips M2.0 × 3.0 screws (1) that secure each hinge to the display back cover.
- b. Remove the two Phillips M2.0 × 2.0 screws (2) that secure each hinge to the display back cover.
- c. Remove the display hinges (3).

The display hinges are available using spare part number N36320-001.



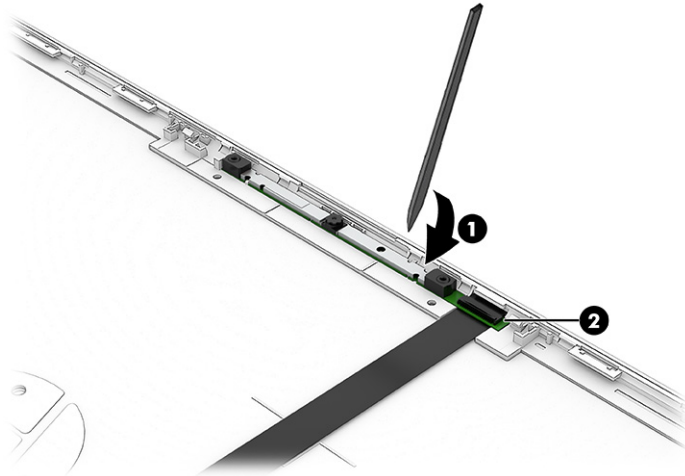
11. To remove the camera module:

- a. Use a tool to release the display support bracket (1), and then remove it from the display (2).

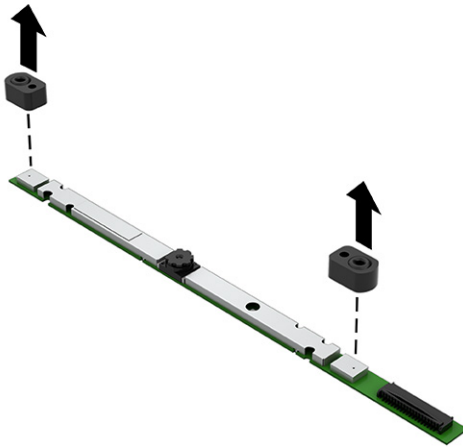


- b. Use a tool to carefully lift the module to release it from the display back cover (1). (The module is attached to the display back cover with double-sided adhesive.)
- c. Disconnect the cable from the ZIF connector on the module (2). Note that the cable routes underneath the module.

Camera modules are available as spare part number N36322-001 for FHD models and N36321-001 for HD models.



- d. When replacing a camera module, remove the two rubber microphone bumpers from the old camera module and install them on the new module.



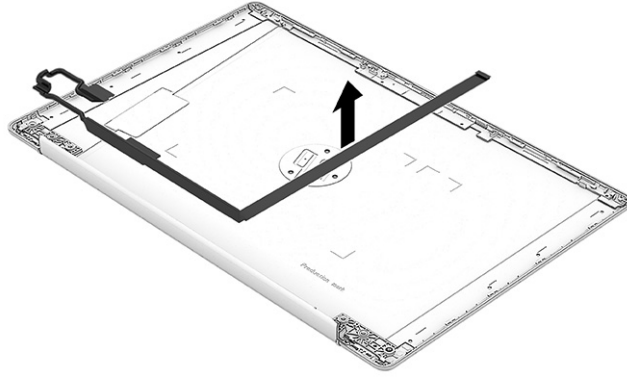
12. To remove the display cable:

- Peel the cable off the inside of the display rear cover.

The display cable is available as the following spare part numbers:

N36324-001: HD panels

N36325-001: FHD panels



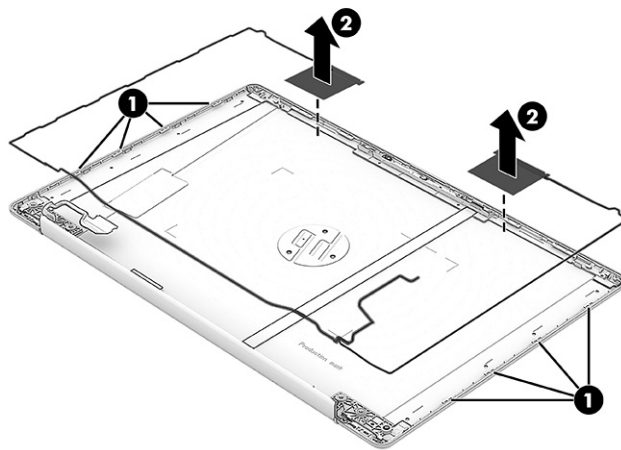
13. To remove the WLAN antennas:

- a.** Release the wireless antenna cables from the retention clips **(1)** on the display back cover.
- b.** Peel the wireless antennas off the display rear cover **(2)**. (The antennas are attached with double-sided adhesive.)

The wireless antennas are available using the following spare part numbers:

N36318-001: Dual antennas, plastic models

N38532-001: Dual antennas, aluminum models



The display back cover is available as the following spare part numbers:

N36305-001: Natural silver, aluminum finish

N36306-001: Natural silver, plastic finish

N36307-001: Warm gold

N36308-001: Diamond white

N36309-001: Midnight blue

N36310-001: Jet black

N36311-001: Evening blue

P33159-001: Evening blue

P33160-001: Evening blue

To reassemble and replace the display assembly, reverse these procedures.

System board

To remove the system board, use these procedures and illustrations.

Table 6-8 System board descriptions and part numbers

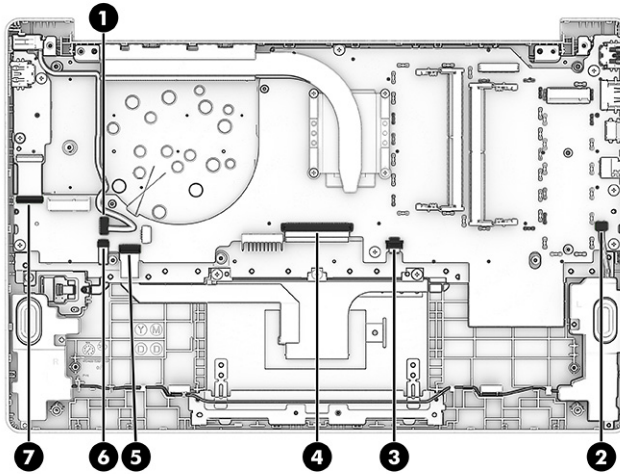
Description	Spare part number
System board (includes the Windows operating system)	
Intel N250 processor with 128 GB UFS memory	P30107-601
Intel N250 processor with 64 GB eMMC memory	P30108-601
Intel N150 processor with 128 GB UFS memory	P30105-601
Intel N150 processor with 64 GB eMMC memory	P30106-601
Intel Core i3 N355 processor	P30084-601
Intel Core Ultra7 255U processor	P30110-601
Intel Core Ultra5 225U processor	P30109-601

Before removing the system board, follow these steps:

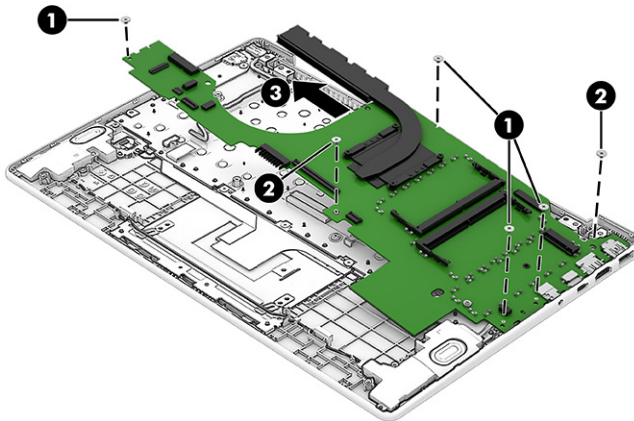
1. Prepare the computer for disassembly (see [Preparation for disassembly on page 41](#)).
2. Remove the bottom cover (see [Bottom cover on page 32](#)).
3. Remove the battery (see [Removing and reinstalling the same battery on page 35](#)).
4. Remove the solid-state drive (see [Solid-state drive on page 41](#)).
5. Remove the WLAN module (see [WLAN module on page 45](#)).
6. Remove the display (see [Display assembly on page 51](#)).

Remove the system board:

1. Disconnect the following cables from the system board:
 - Power connector **(1)**
 - Speaker cable **(2)**
 - Backlight cable (ZIF) **(3)**
 - Keyboard cable (ZIF) **(4)**
 - Touchpad cable (ZIF) **(5)**
 - Fingerprint reader cable (ZIF) **(6)**
 - USB board cable (ZIF) from the USB board **(7)**



2. Remove the four Phillips M2.0 × 3.5 screws (1) and the two Phillips M2.0 × 2.0 screws (2) that secure the system board to the computer.
3. Lift the left edge of the system board, and then pull the board up and to the left to remove it from the computer (3).



To install the system board, reverse this procedure.

Heat sink

To remove the heat sink, use this procedure and illustration.

Table 6-9 Heat sink descriptions and part numbers


Description	Spare part number
15 W	N36312-001
6 W	N37664-001

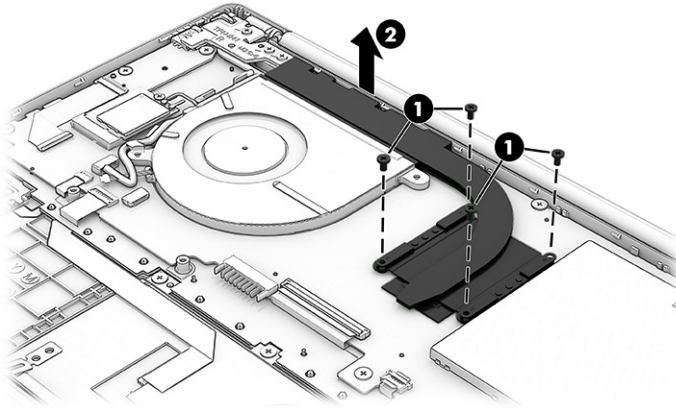
Before removing the heat sink, follow these steps:

1. Prepare the computer for disassembly (see [Preparation for disassembly on page 41](#)).
2. Remove the bottom cover (see [Bottom cover on page 32](#)).
3. Remove the battery (see [Removing and reinstalling the same battery on page 35](#)).

Remove the heat sink:


1. Remove the four Phillips M2.0 × 3.5 screws (1) that secure the heat sink to the computer, and then remove the heat sink (2).

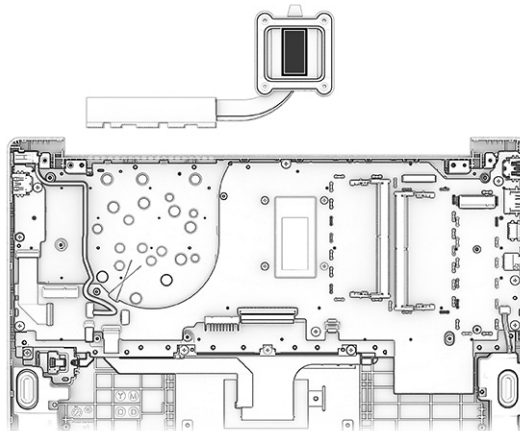
 **NOTE:** Heat sink appearance might vary.



2. Thoroughly clean the thermal material from the surfaces of the heat sink and the system board components each time the heat sink is removed. Replacement thermal material is included with the heat sink and system board spare part kits. The following illustration shows the replacement thermal material location.

Thermal material is used on the heat sink.

 **NOTE:** Heat sink appearance might vary.



To install the heat sink, reverse this procedure.

USB board

To remove the USB board, use this procedure and illustration.

Table 6-10 USB board descriptions and part numbers

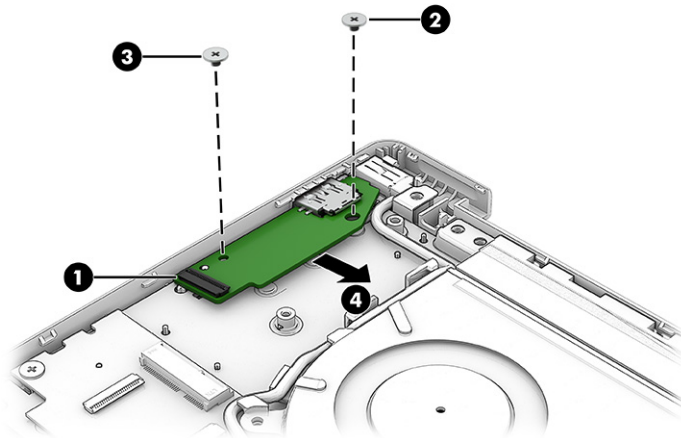
Description	Spare part number
USB board	N36315-001
USB board cable	N36326-001

Before removing the USB board, follow these steps:

1. Prepare the computer for disassembly (see [Preparation for disassembly on page 41](#)).
2. Remove the bottom cover (see [Bottom cover on page 32](#)).
3. Remove the battery (see [Removing and reinstalling the same battery on page 35](#)).
4. Remove the display (see [Display assembly on page 51](#)).

Remove the USB board:

1. Disconnect the cable from the ZIF connector on the board (1).
2. Remove the Phillips M2.0 × 3.5 screw (2) and the Phillips M2.0 × 2.0 screw (3) that secures the board.
3. Lift the inside of the board up, and then pull it into the computer to remove it (4).



To install the USB board, reverse this procedure.

Power connector cable

To remove the power connector cable, use this procedure and illustration.

Table 6-11 Power connector cable description and part number

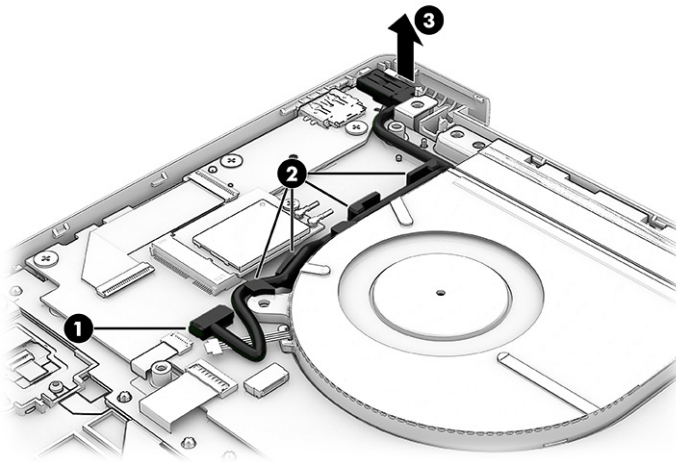
Description	Spare part number
Power connector cable	N36329-001

Before removing the power connector cable, follow these steps:

1. Prepare the computer for disassembly (see [Preparation for disassembly on page 41](#)).
2. Remove the bottom cover (see [Bottom cover on page 32](#)).
3. Remove the battery (see [Removing and reinstalling the same battery on page 35](#)).
4. Remove the display (see [Display assembly on page 51](#)).

Remove the power connector cable:

1. Disconnect the power connector cable from the system board (1).
2. Remove the cable from the clips along the side of the fan (2).
3. Remove the power connector cable from the computer (3).



To install the power connector cable, reverse this procedure.

Top cover with keyboard

The top cover with keyboard remains after removing all other spare parts from the computer. In this section, the first table provides the main spare part number for the top covers with keyboards. The second table provides the country codes.

Table 6-12 Top cover with keyboard descriptions and part numbers

Description	Spare part number
Natural silver with soft gray touchpad, not backlit	P20690-xx1
Natural silver with soft gray touchpad, backlit	P20691-xx1
Natural silver with soft gray touchpad, not backlit, with fingerprint reader	P20692-xx1
Natural silver with soft gray touchpad, backlit, with fingerprint reader	P20693-xx1
Jet black with jet black touchpad, not backlit	P20694-xx1
Evening blue with jet black touchpad, not backlit	P20695-xx1
Tranquil pink with crepe pink touchpad, not backlit (United States [-001] and French Canada [-DB1] only)	P33165-xx1

Table 6-12 Top cover with keyboard descriptions and part numbers (continued)

Description	Spare part number
Waterfall blue with river blue touchpad, not backlit (United States [-001] and French Canada [-DB1] only)	P33166-xx1

Table 6-13 Spare part country codes

For use in country or region	Spare part number	For use in country or region	Spare part number	For use in country or region	Spare part number
Belgium	-A41	Hungary	-211	Saudi Arabia	-171
Brazil	-201	Iceland	-DD1	Slovenia	-BA1
Bulgaria	-261	India	-D61	South Korea	-AD1
Chile	-161	Israel	-BB1	Spain	-071
Czech Republic/Slovakia	-FL1	Italy	-061	Switzerland	-BG1
Denmark	-081	Japan	-291	Taiwan	-AB1
Denmark, Finland, and Norway	-DH1	The Netherlands	-B31	Thailand	-281
French Canada	-DB1	Northern Africa	-FP1	Turkey	-141
Finland/Sweden	-B71	Norway	-091	Turkey-F	-541
France	-051	Portugal	-131	Ukraine	-BD1
Germany	-041	Romania	-271	United Kingdom	-031
Greece	-151	Russia	-251	United States	-001

7 Using Setup Utility (BIOS)

Setup Utility, or Basic Input/Output System (BIOS), controls communication between all the input and output devices on the system (such as disk drives, display, keyboard, mouse, and printer). Setup Utility (BIOS) includes settings for the types of devices installed, the startup sequence of the computer, and the amount of system and extended memory.



NOTE: To start Setup Utility on convertible computers, your computer must be in notebook mode and you must use the keyboard attached to your notebook.

Starting Setup Utility (BIOS)

You have several ways to access the Setup Utility (BIOS).



IMPORTANT: Use extreme care when making changes in Setup Utility (BIOS). Errors can prevent the computer from operating properly.

Use one of these options:

- Turn on or restart the computer and quickly press **f10**.
- Turn on or restart the computer, quickly press **esc**, and then press **f10** when the Start menu is displayed.

Updating Setup Utility (BIOS)

Updated versions of Setup Utility (BIOS) might be available on the HP website. Most BIOS updates on the HP website are packaged in compressed files called *SoftPaqs*. Some download packages contain a file named `Readme.txt`, which contains information regarding installing and troubleshooting the file.

Determining the BIOS version

To decide whether you need to update Setup Utility (BIOS), first determine the BIOS version on your computer.

To reveal the BIOS version information (also known as *ROM date* and *System BIOS*), use one of these options.


- HP Support Assistant
 1. Perform one of these tasks:
 - Select the **Search** icon in the taskbar, type `support` in the search box, and then select the **HP Support Assistant** app.
 - Select the question mark icon in the taskbar.
 2. Under **My notebook**, select **Specifications**.
- Setup Utility (BIOS)

1. Start Setup Utility (BIOS) (see [Starting Setup Utility \(BIOS\) on page 64](#)).
 2. Select **Main**, and then make note of the BIOS version.
 3. Select **Exit**, select one of the options, and then follow the on-screen instructions.
- In Windows, press **ctrl+alt+s**.


To check for later BIOS versions, see [Preparing for a BIOS update on page 65](#).

Preparing for a BIOS update

Be sure to follow all prerequisites before downloading and installing a BIOS update.

 **IMPORTANT:** To reduce the risk of damage to the computer or an unsuccessful installation, download and install a BIOS update only when the computer is connected to reliable external power using the HP AC adapter provided with the computer (select products only), a replacement AC adapter provided by HP, or an AC adapter with the power rating specified on the product label. Do not download or install a BIOS update while the computer is running on battery power, docked in an optional docking device, or connected to an optional power source. During the download and installation, follow these instructions:

- Do not disconnect power from the computer by unplugging the power cord from the AC outlet.
- Do not shut down the computer or initiate Sleep.
- Do not insert, remove, connect, or disconnect any device, cable, or cord.

 **NOTE:** If your computer is connected to a network, consult the network administrator before installing any software updates, especially system BIOS updates.

Downloading a BIOS update

After you review the prerequisites, you can check for and download BIOS updates.

1. Perform one of these tasks:
 - Select the **Search** icon in the taskbar, type `support` in the search box, and then select the **HP Support Assistant** app.
 - Select the question mark icon in the taskbar.
2. Select **Updates**. The **Checking for Updates** window opens, and Windows checks for updates.
3. Follow the on-screen instructions.
4. At the download area, follow these steps:
 - a. Identify the most recent BIOS update and compare it to the BIOS version currently installed on your computer. If the update is more recent than your BIOS version, make a note of the date, name, or other identifier. You might need this information to locate the update later, after it has been downloaded to your hard drive.
 - b. Follow the on-screen instructions to download your selection to the hard drive.

Make a note of the path to the location on your hard drive where the BIOS update is downloaded. You will need to access this path when you are ready to install the update.

Installing a BIOS update

BIOS installation procedures vary. Follow any instructions that appear on the screen after the download is complete. If no instructions appear, follow these steps.

1. Select the **Search** icon in the taskbar, type `file` in the search box, and then select **File Explorer**.
2. Select your hard drive designation. The hard drive designation is typically Local Disk (C:).
3. Using the hard drive path you recorded earlier, open the folder that contains the update.
4. Double-click the file that has an .exe extension (for example, *filename.exe*).

The BIOS installation begins.


5. Complete the installation by following the on-screen instructions.




NOTE: After a message on the screen reports a successful installation, you can delete the downloaded file from your hard drive.

8 Backing up, restoring, and recovering

You can use Windows tools or HP software to back up your information, create a restore point, reset your computer, create recovery media, or restore your computer to its factory state. Performing these standard procedures can return your computer to a working state faster.

 **IMPORTANT:** If you are performing recovery procedures on a tablet, the tablet battery must be at least 70% charged before you start the recovery process.


 **IMPORTANT:** For a tablet with a detachable keyboard, connect the tablet to the keyboard base before beginning any recovery process.

Backing up information and creating recovery media

These methods of creating recovery media and backups are available on select products only.

Using Windows tools for backing up

HP recommends that you back up your information immediately after initial setup. You can do this task either using Windows Backup locally with an external USB flash drive or using online tools.


 **NOTE:** If computer storage is 32 GB or less, Microsoft System Restore is disabled by default.


Using the HP Cloud Recovery Download Tool to create recovery media (select products only)

You can use the HP Cloud Recovery Download Tool to create HP Recovery media on a bootable USB flash drive.

For details:

- Go to <http://www.hp.com>, search for HP Cloud Recovery, and then select the result that matches the type of computer that you have.

 **NOTE:** If you cannot create recovery media yourself, contact support to obtain recovery discs. Go to <http://www.hp.com/support>, select your country or region, and then follow the on-screen instructions.

 **IMPORTANT:** HP recommends that you follow the [Restoring and recovery methods on page 68](#) to restore your computer before you obtain and use the HP recovery discs. Using a recent backup can return your machine to a working state sooner than using the HP recovery discs. After the system is restored, reinstalling all the operating system software released since your initial purchase can be a lengthy process.

Restoring and recovering your system

You have several tools available to recover your system both within and outside of Windows if the desktop cannot load.

HP recommends that you attempt to restore your system using the [Restoring and recovery methods on page 68](#).

Creating a system restore

System Restore is available in Windows. The System Restore software can automatically or manually create restore points, or snapshots, of the system files and settings on the computer at a particular point.

When you use System Restore, it returns your computer to its state at the time you made the restore point. Your personal files and documents should not be affected.

Restoring and recovery methods

After you run the first method, test to see whether the issue still exists before you proceed to the next method, which might now be unnecessary.

1. Run a Microsoft System Restore.
2. Run Reset this PC.



NOTE: The options **Remove everything** and then **Fully clean the drive** can take several hours to complete and leave no information on your computer. It is the safest way to reset your computer before you recycle it.

3. Recover using HP Recovery media. For more information, see [Recovering using HP Recovery media on page 68](#).

For more information about the first two methods, see the Get Help app:

- Select the **Start** button, select **All apps**, select the **Get Help** app, and then enter the task you want to perform.



NOTE: You must be connected to the internet to access the Get Help app.

Recovering using HP Recovery media

You can use HP Recovery media to recover the operating system and drivers that were installed at the factory. On select products, you can create recovery media on a bootable USB flash drive using the HP Cloud Recovery Download Tool.

For details, see [Using the HP Cloud Recovery Download Tool to create recovery media \(select products only\) on page 67](#).



NOTE: If you cannot create recovery media yourself, contact support to obtain recovery discs. Go to <http://www.hp.com/support>, select your country or region, and then follow the on-screen instructions.

To recover your system:


- Insert the HP Recovery media, and then restart the computer.



NOTE: HP recommends that you follow the [Restoring and recovery methods on page 68](#) to restore your computer before you obtain and use the HP recovery discs. Using a recent backup can return your machine to a working state sooner than using the HP recovery discs. After the system is restored, reinstalling all the operating system software released since your initial purchase can be a lengthy process.

Changing the computer boot order

If your computer does not restart using the HP Recovery media, you can change the computer boot order, which is the order of devices listed in BIOS for startup information. You can select an optical drive or a USB flash drive, depending on the location of your HP Recovery media.

 **IMPORTANT:** For a tablet with a detachable keyboard, connect the tablet to the keyboard base before beginning these steps.

To change the boot order:

1. Insert the HP Recovery media.
2. Access the system **Startup** menu.
 - For computers or tablets with keyboards attached, turn on or restart the computer or tablet, quickly press **esc**, and then press **f9** for boot options.
 - For tablets without keyboards, turn on or restart the tablet, and then quickly press and hold one of the following buttons:
 - Volume up
 - Volume down

Then select **f9**.
3. Select the optical drive or USB flash drive from which you want to boot, and then follow the on-screen instructions.

Using HP Sure Recover (select products only)

Select computer models are configured with HP Sure Recover, a PC operating system (OS) recovery solution built into the hardware and software. HP Sure Recover can fully restore the HP OS image without installed recovery software.

Using HP Sure Recover, an administrator or user can restore the system and install:

- Latest version of the operating system
- Platform-specific device drivers
- Software applications, in the case of a custom image

To access the latest documentation for HP Sure Recover, go to <http://www.hp.com/support>. Follow the on-screen instructions to find your product and locate your documentation.

9 Using HP PC Hardware Diagnostics

You can use the HP PC Hardware Diagnostics utility to determine whether your computer hardware is running properly. The three versions are HP PC Hardware Diagnostics Windows, HP PC Hardware Diagnostics UEFI (Unified Extensible Firmware Interface), and (for select products only) Remote HP PC Hardware Diagnostics UEFI, a firmware feature.

Using HP PC Hardware Diagnostics Windows (select products only)

HP PC Hardware Diagnostics Windows is a Windows-based utility that allows you to run diagnostic tests to determine whether the computer hardware is functioning properly. The tool runs within the Windows operating system to diagnose hardware failures.

If HP PC Hardware Diagnostics Windows is not installed on your computer, you must download and install it. To download HP PC Hardware Diagnostics Windows, see [Downloading HP PC Hardware Diagnostics Windows on page 71](#).

Using an HP PC Hardware Diagnostics Windows hardware failure ID code

When HP PC Hardware Diagnostics Windows detects a failure that requires hardware replacement, a 24-digit failure ID code is generated for select component tests. For interactive tests, such as keyboard, mouse, or audio and video palette, you must perform troubleshooting steps before you can receive a failure ID.

You have several options after you receive a failure ID:

- Select **Next** to open the Event Automation Service (EAS) page, where you can log the case.
- Scan the QR code with your mobile device, which takes you to the EAS page, where you can log the case.
- Select the box next to the 24-digit failure ID to copy your failure code and send it to support.

Accessing HP PC Hardware Diagnostics Windows

After HP PC Hardware Diagnostics Windows is installed, you can access it from HP Support Assistant or the Start menu.

Accessing HP PC Hardware Diagnostics Windows from HP Support Assistant

After HP PC Hardware Diagnostics Windows is installed, follow these steps to access it from HP Support Assistant:

1. Complete one of the following tasks:
 - Select the **Search** icon in the taskbar, type `support` in the search box, and then select the **HP Support Assistant** app.
 - Select the question mark icon in the taskbar.
2. Select **Fixes & Diagnostics**.


3. Select **Run hardware diagnostics**, and then select **Launch**.
4. When the tool opens, select the type of diagnostic test that you want to run, and then follow the on-screen instructions.

 **NOTE:** To stop a diagnostic test, select **Cancel**.

Accessing HP PC Hardware Diagnostics Windows from the Start menu (select products only)

After HP PC Hardware Diagnostics Windows is installed, follow these steps to access it from the Start menu:

1. Select the **Start** button, and then select **All apps**.
2. Select **HP PC Hardware Diagnostics Windows**.
3. When the tool opens, select the type of diagnostic test that you want to run, and then follow the on-screen instructions.

 **NOTE:** To stop a diagnostic test, select **Cancel**.

Downloading HP PC Hardware Diagnostics Windows

The HP PC Hardware Diagnostics Windows downloading instructions are provided in English only. You must use a Windows computer to download this tool because only .exe files are provided.

Downloading the latest HP PC Hardware Diagnostics Windows version from HP

To download HP PC Hardware Diagnostics Windows from HP, follow these steps:

1. Go to <http://www.hp.com/go/techcenter/pcdiags>. The HP PC Diagnostics home page is displayed.
2. Select **Diagnose PC Hardware issues in Windows**, scroll down to the expanded window that appears, and then select **Download**.
3. A pop-up that asks what you want to do with the file opens. Select **Open** or **Save As**. The latest version of the diagnostics tool opens or downloads to the selected location.

Downloading the HP PC Hardware Diagnostics Windows from the Microsoft Store


You can download the HP PC Hardware Diagnostics Windows from the Microsoft Store:

1. Select the Microsoft Store app on your desktop or select the **Search** icon in the taskbar, and then type `Microsoft Store` in the search box.
2. Type `HP PC Hardware Diagnostics Windows` in the **Microsoft Store** search box.
3. Follow the on-screen directions.

The tool downloads to the selected location.

Downloading HP Hardware Diagnostics Windows by product name or number (select products only)

You can download HP PC Hardware Diagnostics Windows by product name or number.

 **NOTE:** For some products, you might have to download the software to a USB flash drive by using the product name or number.

1. Go to <http://www.hp.com/support>.
2. Select **Software and Drivers**, select your type of product, and then enter the product name or number in the search box that is displayed.
3. In the **Diagnostics** section, select **Download**, and then follow the on-screen instructions to select the specific Windows diagnostics version to be downloaded to your computer or USB flash drive.


The tool downloads to the selected location.

Installing HP PC Hardware Diagnostics Windows

To install HP PC Hardware Diagnostics Windows, navigate to the folder on your computer or the USB flash drive where the .exe file downloaded, double-click the .exe file, and then follow the on-screen instructions.

Using HP PC Hardware Diagnostics UEFI

HP PC Hardware Diagnostics Unified Extensible Firmware Interface (UEFI) allows you to run diagnostic tests to determine whether the computer hardware is functioning properly. The tool runs outside the operating system so that it can isolate hardware failures from issues that are caused by the operating system or other software components.

 **NOTE:** For some products, you must use a Windows computer and a USB flash drive to download and create the HP UEFI support environment because only .exe files are provided. For more information, see [Downloading HP PC Hardware Diagnostics UEFI to a USB flash drive on page 73](#).

If your PC does not start in Windows, you can use HP PC Hardware Diagnostics UEFI to diagnose hardware issues.

Using an HP PC Hardware Diagnostics UEFI hardware failure ID code


When HP PC Hardware Diagnostics UEFI detects a failure that requires hardware replacement, a 24-digit failure ID code is generated.

For assistance in solving the problem:

- Select **Contact HP**, accept the HP privacy disclaimer, and then use a mobile device to scan the failure ID code that appears on the next screen. The HP Customer Support - Service Center page appears with your failure ID and product number automatically filled in. Follow the on-screen instructions.

- or -

Contact support, and provide the failure ID code.

 **NOTE:** To start diagnostics on a convertible computer, your computer must be in notebook mode, and you must use the attached keyboard.

 **NOTE:** If you need to stop a diagnostic test, press **esc**.

Starting HP PC Hardware Diagnostics UEFI

To start HP PC Hardware Diagnostics UEFI, follow this procedure.

1. Turn on or restart the computer, and quickly press **esc**.
2. Press **f2**.

The BIOS searches three places for the diagnostic tools, in the following order:

- a. Connected USB flash drive



NOTE: To download the HP PC Hardware Diagnostics UEFI tool to a USB flash drive, see [Downloading the latest HP PC Hardware Diagnostics UEFI version on page 73](#).

- b. Hard drive
- c. BIOS

3. When the diagnostic tool opens, select the type of diagnostic test that you want to run, and then follow the on-screen instructions.

Downloading HP PC Hardware Diagnostics UEFI to a USB flash drive

Downloading HP PC Hardware Diagnostics UEFI to a USB flash drive can be useful in some situations.

- HP PC Hardware Diagnostics UEFI is not included in the preinstallation image.
- HP PC Hardware Diagnostics UEFI is not included in the HP Tool partition.
- The hard drive is damaged.



NOTE: The HP PC Hardware Diagnostics UEFI downloading instructions are provided in English only, and you must use a Windows computer to download and create the HP UEFI support environment because only `.exe` files are provided.

Downloading the latest HP PC Hardware Diagnostics UEFI version

To download the latest HP PC Hardware Diagnostics UEFI version to a USB flash drive, follow these steps:

1. Go to <http://www.hp.com/go/techcenter/pcdiags>. The HP PC Diagnostics home page is displayed.
2. Select **Diagnose PC Hardware Issues outside of the OS**, scroll down to the expanded window that appears, and then select **Download**.
3. A pop-up that asks what you want to do with the file opens. Select **Open** or **Save As**. The latest version of the diagnostics tool opens or downloads to the selected location.

Downloading HP PC Hardware Diagnostics UEFI by product name or number (select products only)

You can download HP PC Hardware Diagnostics UEFI by product name or number (select products only) to a USB flash drive.



NOTE: For some products, you might have to download the software to a USB flash drive by using the product name or number.

1. Go to <http://www.hp.com/support>.
2. Enter the product name or number, select your computer, and then select your operating system.
3. In the **Diagnostics** section, follow the on-screen instructions to select and download the specific UEFI Diagnostics version for your computer.

Using Remote HP PC Hardware Diagnostics UEFI settings (select products only)

Remote HP PC Hardware Diagnostics UEFI is a firmware (BIOS) feature that downloads HP PC Hardware Diagnostics UEFI to your computer. It can then run the diagnostics on your computer, and it might upload results to a preconfigured server.

For more information about Remote HP PC Hardware Diagnostics UEFI, go to <http://www.hp.com/go/techcenter/pcdiags>, select **Diagnose Other Potential Issues**, scroll down to **Remote PC Hardware Diagnostics UEFI**, and then select **Learn More**.

Downloading Remote HP PC Hardware Diagnostics UEFI

Remote HP PC Hardware Diagnostics UEFI is also available as a SoftPaq that you can download to a server.

Downloading the latest Remote HP PC Hardware Diagnostics UEFI version

You can download the latest Remote HP PC Hardware Diagnostics UEFI version to a USB flash drive.

1. Go to <http://www.hp.com/go/techcenter/pcdiags>. The HP PC Diagnostics home page is displayed.
2. Select **Diagnose PC Hardware Issues outside of the OS**, scroll down to the expanded window that appears, and then select **Download**.
3. A pop-up that asks what you want to do with the file opens. Select **Open** or **Save As**. The latest version of the diagnostics tool opens or downloads to the selected location.

Downloading Remote HP PC Hardware Diagnostics UEFI by product name or number

You can download Remote HP PC Hardware Diagnostics UEFI by product name or number.



NOTE: For some products, you might have to download the software by using the product name or number.

1. Go to <http://www.hp.com/support>.
2. Select **Software and Drivers**, select your type of product, enter the product name or number in the search box that is displayed, select your computer, and then select your operating system.
3. In the **Diagnostics** section, follow the on-screen instructions to select and download the **Remote UEFI** version for the product.

Customizing Remote HP PC Hardware Diagnostics UEFI settings

Using the Remote HP PC Hardware Diagnostics setting in Computer Setup (BIOS), you can perform several customizations.

- Set a schedule for running diagnostics unattended. You can also start diagnostics immediately in interactive mode by selecting **Execute Remote HP PC Hardware Diagnostics UEFI**.
- Set the location for downloading the diagnostic tools. This feature provides access to the tools from the HP website or from a server that has been preconfigured for use. Your computer does not require the traditional local storage, such as a hard drive or USB flash drive, to run remote diagnostics.
- Set a location for storing the test results. You can also set the user name and password that you use for uploads.
- Display status information about the diagnostics run previously.

To customize Remote HP PC Hardware Diagnostics UEFI settings, follow these steps:

1. Turn on or restart the computer, and when the HP logo appears, press **f10** to enter Computer Setup.
2. Select **Advanced**, and then select **Settings**.
3. Make your customization selections.
4. Select **Main**, then select **Save Changes and Exit** to save your settings.

Your changes take effect when the computer restarts.

10 Specifications

This chapter provides specifications for your computer system.

Computer specifications

This section provides specifications for your computer. When you travel with your computer, the computer dimensions and weights, as well as input power ratings and operating specifications, provide helpful information.

Table 10-1 Computer specifications

	Metric	U.S.
Dimensions		
Width	323.7 mm	12.74 in
Depth	215.0 mm	8.47 in
Front height	17.9 mm	0.71 in
Rear height	32.5 mm	1.28 in
Weight		
	1412.5 g	3.11 lb
Input power		
Operating voltage and current	19.5 V DC @ 3.33 A - 65 W	
	19.5 V DC @ 2.31 A - 45 W	
Temperature		
Operating	5°C to 35°C	41°F to 95°F
Nonoperating	-20°C to 60°C	-4°F to 140°F
Relative humidity (noncondensing)		
Operating	10% to 90%	
Nonoperating	5% to 95%	
Maximum altitude (unpressurized)		
Operating	-15 m to 3,048 m	-50 ft to 10,000 ft
Nonoperating	-15 m to 12,192 m	-50 ft to 40,000 ft



NOTE: Applicable product safety standards specify thermal limits for plastic surfaces. The device operates well within this range of temperatures.

Display specifications

This section provides specifications for your display.

Table 10-2 Display specifications

	Metric	U.S.
Active diagonal size	35.6 cm	14.0 in
Resolution	1920 × 1080 (FHD) 1366 × 768 (HD)	
Surface treatment	Antiglare	
Brightness	300 nits (UWVA) (SVA)	
Viewing angle	UWVA SVA	
Backlight	WLED	
Display panel interface	eDP	

Solid-state drive specifications

This section provides specifications for your solid-state drives.

Table 10-3 Solid-state drive specifications

	256 GB*	512 GB*	1 TB*
Dimensions			
Height	1.0 mm	1.0 mm	1.0 mm
Length	50.8 mm	50.8 mm	50.8 mm
Width	28.9 mm	28.9 mm	28.9 mm
Weight	< 10 g	< 10 g	< 10 g
Interface type			
Ready time, maximum (to not busy)	1.0 ms	< 1.0 ms	1.0 ms
Access times, logical	0.1 ms	0.1 ms	0.1 ms
Transfer rate			
Sequential read	up to 2150 MBps	up to 2150 MBps	up to 2150 MBps
Random read	Up to 300,000 IOPs	Up to 300,000 IOPs	Up to 300,000 IOPs
Sequential write	up to 1550 MBps	up to 1550 MBps	up to 1550 MBps
Random write	Up to 100,000 IOPs	Up to 100,000 IOPs	Up to 100,000 IOPs
Total logical sectors			
	468,883,296	1,000,215,216	1,500,336,388
Operating temperature			
	0°C to 70°C (32°F to 158°F)	0°C to 70°C (32°F to 158°F)	0°C to 70°C (32°F to 158°F)

*1 GB = 1 billion bytes when referring to hard drive storage capacity. Actual accessible capacity is less. Actual drive specifications might differ slightly.



NOTE: Certain restrictions and exclusions apply. Contact support for details.

11 Power cord set requirements

This chapter provides power cord requirements for countries and regions.

The wide-range input feature of the computer permits it to operate from any line voltage from 100 V AC to 120 V AC, or from 220 V AC to 240 V AC.

The three-conductor power cord set included with the computer meets the requirements for use in the country or region where the equipment is purchased.

Power cord sets for use in other countries or regions must meet the requirements of the country and region where the computer is used.

Requirements for all countries

These power cord requirements are applicable to all countries and regions.

- The length of the power cord set must be at least **1.0 m** (3.3 ft) and no more than **2.0 m** (6.5 ft).
- All power cord sets must be approved by an acceptable accredited agency responsible for evaluation in the country or region where the power cord set will be used.
- The power cord sets must have a minimum current capacity of 10 A and a nominal voltage rating of 125 V AC or 250 V AC, as required by the power system of each country or region.
- The appliance coupler must meet the mechanical configuration of an EN 60 320/IEC 320 Standard Sheet C13 connector for mating with the appliance inlet on the back of the computer.

Requirements for specific countries and regions

To determine power cord requirements for specific countries and regions, use this table.

Table 11-1 Power cord requirements for specific countries and regions

Country/region	Accredited agency	Applicable note number
Argentina	IRAM	1
Australia	SAA	1
Austria	OVE	1
Belgium	CEBEC	1
Brazil	ABNT	1
Canada	CSA	2
Chile	IMQ	1
Denmark	DEMKO	1
Finland	FIMKO	1
France	UTE	1

Table 11-1 Power cord requirements for specific countries and regions (continued)

Country/region	Accredited agency	Applicable note number
Germany	VDE	1
India	BIS	1
Israel	SII	1
Italy	IMQ	1
Japan	JIS	3
Netherlands	KEMA	1
New Zealand	SANZ	1
Norway	NEMKO	1
The People's Republic of China	CCC	4
Saudi Arabia	SASO	7
Singapore	PSB	1
South Africa	SABS	1
South Korea	KTL	5
Sweden	SEMKO	1
Switzerland	SEV	1
Taiwan	BSMI	6
Thailand	TISI	1
United Kingdom	ASTA	1
United States	UL	2

1. The flexible cord must be Type HO5VV-F, three-conductor, 0.75 mm² conductor size. Power cord set fittings (appliance coupler and wall plug) must bear the certification mark of the agency responsible for evaluation in the country or region where it will be used.
2. The flexible cord must be Type SVT/SJT or equivalent, No. 18 AWG, three-conductor. The wall plug must be a two-pole grounding type with a NEMA 5-15P (15 A, 125 V AC) or NEMA 6-15P (15 A, 250 V AC) configuration. CSA or C-UL mark. UL file number must be on each element.
3. The appliance coupler, flexible cord, and wall plug must bear a T mark and registration number in accordance with the Japanese Dentori Law. The flexible cord must be Type VCTF, three-conductor, 0.75 mm² or 1.25 mm² conductor size. The wall plug must be a two-pole grounding type with a Japanese Industrial Standard C8303 (7 A, 125 V AC) configuration.
4. The flexible cord must be Type RVV, three-conductor, 0.75 mm² conductor size. Power cord set fittings (appliance coupler and wall plug) must bear the CCC certification mark.
5. The flexible cord must be Type HO5VV-F three-conductor, 0.75 mm² conductor size. KTL logo and individual approval number must be on each element. Approval number and logo must be printed on a flag label.
6. The flexible cord must be Type HVCTF three-conductor, 1.25 mm² conductor size. Power cord set fittings (appliance coupler, cable, and wall plug) must bear the BSMI certification mark.

7. For 127 V AC, the flexible cord must be Type SVT or SJT 3-conductor, 18 AWG, with plug NEMA 5-15P (15 A, 125 V AC), with UL and CSA or C-UL marks. For 240 V AC, the flexible cord must be Type H05VV-F three-conductor, 0.75 mm² or 1.00 mm² conductor size, with plug BS 1363/A with BSI or ASTA marks.

12 Swelling or deformation of notebook battery

To protect your hardware from potential damage, HP recommends that if you are experiencing battery swelling, stop using the notebook until you can replace the battery.

You can contact HP to understand what battery replacement options are available. To learn more about Lithium-ion batteries and the factors that can accelerate battery swelling, see https://support.hp.com/us-en/document/ish_6824662-6824706-16.

Swollen notebook batteries

You might notice that your notebook battery has become somewhat deformed or swollen over time. In some cases, the battery swelling might be significant enough to impact other components of the system including the touchpad, keyboard, and chassis.

Swollen battery is not a safety issue

A swollen battery does not present a safety issue. It is the result of the generation of gases per the normal degradation of the battery cell over time.

HP has worked closely with our battery cell suppliers and third-party industry experts to help minimize the potential for HP batteries to swell over time and to identify that swollen batteries are not a safety issue.

Discontinue using a swollen battery

To protect your hardware from potential damage, HP recommends that, if you are experiencing battery swelling, you stop using the notebook until the battery can be replaced.

You can contact <https://www.hp.com/go/contacthp> to understand what battery replacement options are available.

Replace a swollen battery

If a battery is under warranty, HP will replace the battery per the terms and conditions of the HP Worldwide Limited Warranty or applicable HP Care Packs.

For batteries no longer under warranty, contact HP to purchase a genuine HP replacement battery.

Minimize battery swelling

Multiple factors can accelerate battery swelling.

To help mitigate battery swelling over time, you can use either HP Adaptive Battery Optimizer (consumer notebooks) or HP Battery Health Manager (commercial notebooks) settings to improve battery longevity and performance for various use scenarios.

HP Adaptive Battery Optimizer (consumer notebooks)

HP Adaptive Battery Optimizer technology can help mitigate the factors that cause the battery to swell. It is available on select HP OMEN, HP Spectre, HP Pavilion, and HP ENVY notebook computers.

HP Adaptive Battery Optimizer has been available on select gaming notebooks since 2019 and select consumer notebooks since 2020. To learn more about enabling HP Adaptive Battery Optimizer on your HP notebook, see <https://support.hp.com/us-en/document/c06310986>.

HP Battery Health Manager (commercial notebooks)

HP Battery Health Manager provides an easy-to-manage solution to help mitigate factors that cause the battery to swell. It is available on select HP ProBook and HP EliteBook notebook computers.

HP Battery Health Manager is available on select commercial notebooks manufactured since 2016. To learn more about HP Battery Health Manager, see https://support.hp.com/us-en/document/ish_4449597-3519507-16.

13 Recycling

When a nonrechargeable or rechargeable battery has reached the end of its useful life, do not dispose of the battery in general household waste. Follow the local laws and regulations in your area for battery disposal.

HP encourages customers to recycle used electronic hardware, HP original print cartridges, and rechargeable batteries. For more information about recycling programs, see the HP website at <http://www.hp.com/recycle>.

Index

A

AC adapter and battery light,
identifying 6
AC adapter, spare part
number 21
action key, identifying 14
antenna
illustrated 20
spare part number 20
audio-out (headphone)/audio-in
(microphone) combo jack,
identifying 7
audio, product description 2

B

backup, creating 67
backups 67
battery
illustrated 17
spare part number 17
battery swelling 82
BIOS
determining version 64
downloading an update 65, 66
starting the Setup Utility 64
updating 64
Bluetooth label 15
boot order, changing 69
bottom components 14
bottom cover
illustrated 18
removal 32
spare part number 32
spare part numbers 18
buttons
left touchpad 9, 10
power 13
right touchpad 9, 10

C

camera
identifying 9
camera light, identifying 9
camera privacy cover,
identifying 9
camera/microphone module
illustrated 20

spare part number 20
caps lock light 11
caring for your computer 27
cautions
electrostatic discharge 23, 24
cleaning your computer 27
caring for wood veneer 29
disinfecting 28
HP Easy Clean 27
removing dirt and debris 27
components
bottom 14
display 7, 8
keyboard area 9
left side 6
lights 10
right side 6
touchpad 9, 10
computer major components 16
computer specifications 76
connectors
power 6
control zone 9

D

display
specifications 76
display assembly
subcomponents 19
display back cover
illustrated 20
spare part numbers 20
display bezel
illustrated 19
spare part numbers 19
display components 7, 8
display panel
illustrated 20
product description 1
spare part numbers 20
display panel cable
illustrated 20
spare part number 20

E

electrostatic discharge (ESD) 23,
24

preventing damage 23-25
esc key, identifying 14

F

fan
illustrated 18
removal 50
spare part number 50
spare part numbers 18
fingerprint reader 13
illustrated 18
removal 48
spare part number 18
spare part numbers 48
fn key, identifying 14

G

graphics controller, product
description 1
grounding methods 23-25
guidelines
packaging 23, 29
transporting 23, 29
workstation 23

H

hard drive
product description 2
specifications 76
HDMI port
identifying 7
heat sink
illustrated 18
removal 59
spare part number 59
spare part numbers 18
hinge
illustrated 20
spare part numbers 20
HP PC Hardware Diagnostics UEFI
downloading 73
failure ID code 72
starting 73
using 72
HP PC Hardware Diagnostics
Windows
accessing 70, 71

- downloading 71
- failure ID code 70
- installing 72
- using 70
- HP Recovery media
 - recovery 68
- HP Sure Recover 69

I

- illustrated parts catalog 16
- internal microphones,
 - identifying 8

J

- jacks
 - audio-out (headphone)/audio-in (microphone) 7

K

- keyboard
 - product description 3
- keys
 - action 14
 - esc 14
 - fn 14
 - Windows 14
 - Windows Copilot 14

L

- labels
 - Bluetooth 15
 - regulatory 15
 - serial number 15
 - service 15
 - wireless certification 15
 - WLAN 15
- left control zone, identifying 9
- left side components 6
- lights
 - AC adapter and battery 6
 - camera 9
 - caps lock 11
 - microphone mute 11
 - mute 11
 - power 11
 - touchpad 9
- low blue light mode 8

M

- memory module
 - illustrated 18, 43
 - spare part number 18, 43

- memory modules
 - removal 43
 - spare part numbers 43
- microphone
 - product description 2
- microphone mute light,
 - identifying 11
- model name 1
- mute light, identifying 11

O

- operating system, product description 4

P

- packaging guidelines 23, 29
- pointing device, product description 3
- ports
 - HDMI 7
 - product description 2
 - USB 6, 7
 - USB Type-C port with HP Sleep and Charge 7
- power button, identifying 13
- power connector
 - identifying 6
- power connector cable
 - removal 61
 - spare part number 61
- power cord
 - requirements for all countries 79
 - requirements for specific countries and regions 79
 - set requirements 79
 - spare part numbers 21
- power light, identifying 11
- power requirements, product description 3
- primary storage
 - product description 2
- processor
 - product description 1
- processor, product description 1
- product description
 - audio 2
 - display panel 1
 - graphics controller 1
 - hard drive 2
 - keyboard 3
 - microphone 2
 - operating system 4
 - pointing device 3

- ports 2
- power requirements 3
- primary storage 2
- product name 1
- security 3
- serviceability 5
- solid-state drive 2
- video 2
- wireless 2
- product name 1
- product name and number, computer 15

R

- recovery 67
 - discs 68
 - media 68
 - USB flash drive 68
- recovery media 67
 - creating using HP Cloud Recovery Download Tool 67
 - creating using Windows tools 67
- regulatory information
 - regulatory label 15
 - wireless certification labels 15
- Remote HP PC Hardware Diagnostics UEFI settings
 - customizing 74
 - using 74
- removal and replacement procedures 32, 41
 - solid-state drive 41
- restoring 67
- restoring and recovery methods 68
- right control zone, identifying 9
- right side components 6

S

- security, product description 3
- serial number, computer 15
- service labels, locating 15
- serviceability, product description 5
- solid-state drive
 - illustrated 18
 - product description 2
 - removal and replacement 41
 - spare part numbers 18
 - specifications 77
- speaker
 - illustrated 17

- removal 46
- spare part number 17, 46
- speakers 14
- special keys
 - identifying 13
 - using 13
- specifications
 - computer 76
 - display 76
 - hard drive 76
 - solid-state drive 77
- static electricity 23, 24
- support information 29
- swelling or deformation of notebook battery 82
- system board
 - illustrated 17
 - removal 58
 - spare part numbers 17, 58
- system restore 68
- system restore point, creating 67

T

- top cover
 - spare part numbers 62
- touchpad
 - illustrated 17
 - removal 47
 - settings 9
 - spare part numbers 17, 47
- touchpad buttons
 - identifying 9, 10
- touchpad components 9
- touchpad light, identifying 9
- touchpad settings, adjusting 9
- touchpad zone, identifying 9, 10
- transporting guidelines 23, 29
- traveling with the computer 15

U

- USB board
 - illustrated 17
 - removal 61
 - spare part number 61
 - spare part numbers 17
- USB port, identifying 6, 7
- USB Type-C port with HP Sleep and Charge, identifying 7

V

- vents, identifying 15
- video, product description 2

W

- wake-on-voice 8
- Windows
 - backup 67
 - recovery media 67
 - system restore point 67
- Windows Copilot key, identifying 14
- Windows key, identifying 14
- Windows tools, using 67
- wireless antennas, identifying 8
- wireless certification label 15
- wireless, product description 2
- WLAN antenna kit
 - illustrated 20
 - spare part number 20
- WLAN antennas, identifying 8
- WLAN device 15
- WLAN label 15
- WLAN module
 - removal 45
 - spare part numbers 45
- workstation guidelines 23